



# 38x38x28 mm

San Ace 38 9GV type

## General Specifications

- Material ..... Frame: Plastic (Flammability: UL 94V-0), Impeller: Plastic (Flammability: UL 94V-1)
- Expected life ..... See the table below. (L10 life: 90% survival rate for continuous operation in free air at 60°C, rated voltage)
- Motor protection function ..... Locked rotor burnout protection, Reverse polarity protection  
For details, please refer to p. 529.
- Dielectric strength ..... 50/60 Hz, 500 VAC, for 1 minute (between lead wire conductors and frame)
- Insulation resistance ..... 10 MΩ or more with a 500 VDC megger (between lead wire conductors and frame)
- Sound pressure level (SPL) ..... At 1 m away from the air inlet
- Storage temperature ..... -20 to +70°C (Non-condensing)
- Lead wire ..... ⊕Red ⊖Black (Sensor) Yellow
- Mass ..... 50 g

## Specifications

The models listed below **have ribs and pulse sensors.** For models without ribs, append "1" to the end of model numbers.

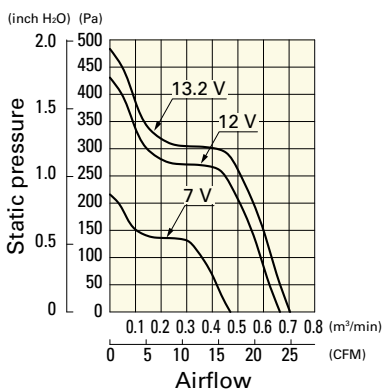
Model no.	Rated voltage [V]	Operating voltage range [V]	Rated current [A]	Rated input [W]	Rated speed [min <sup>-1</sup> ]	Max. airflow [m <sup>3</sup> /min] [CFM]	Max. static pressure [Pa] [inchH <sub>2</sub> O]	SPL [dB (A)]	Operating temperature [°C]	Expected life [h]
<b>9GV0312K301</b>	12	7 to 13.2	0.79	9.48	18200	0.65 23	425 1.707	59	-20 to +60	40000/60°C
<b>9GV0312J301</b>			0.6	7.2	15900	0.57 20	315 1.265	54		
<b>9GV0312G301</b>			0.4	4.8	13500	0.48 17	220 0.924	50		
<b>9GV0312E301</b>		4.5 to 13.2	0.21	2.52	10500	0.37 13.1	130 0.522	43		
<b>9GV0312H301</b>			0.16	1.92	7000	0.24 8.5	60 0.241	34		

Other sensor specifications are available as options. Refer to the index (p. 554).

## Airflow - Static Pressure Characteristics

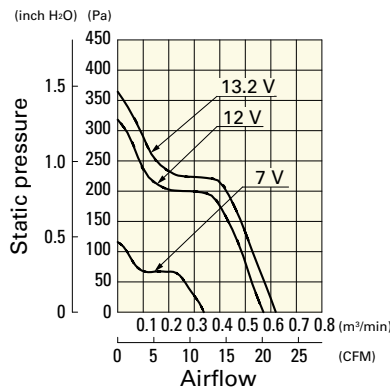
**9GV0312K301** With pulse sensor

Operating voltage range



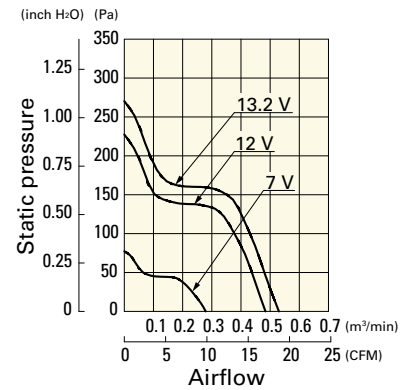
**9GV0312J301** With pulse sensor

Operating voltage range



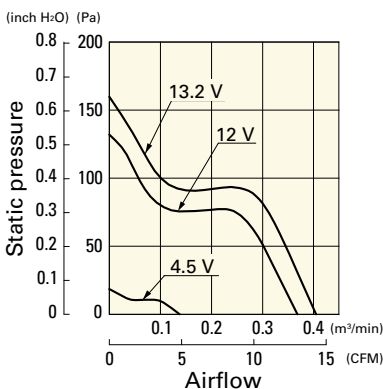
**9GV0312G301** With pulse sensor

Operating voltage range



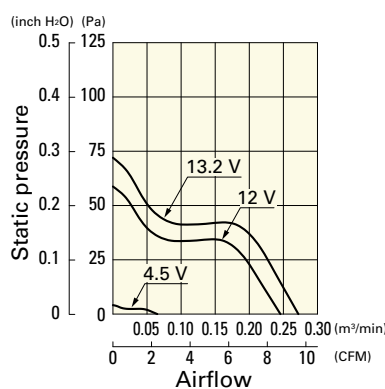
**9GV0312E301** With pulse sensor

Operating voltage range

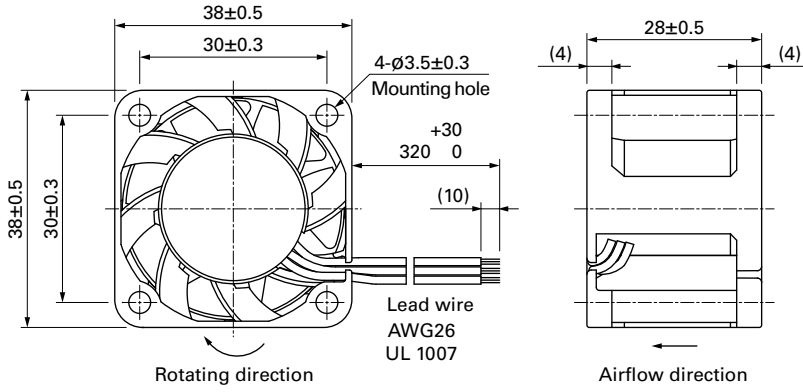


**9GV0312H301** With pulse sensor

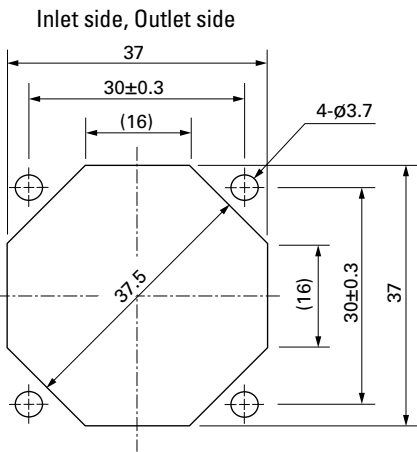
Operating voltage range



**Dimensions (unit: mm)** (With ribs)



**Reference Dimensions of Mounting Holes and Vent Opening (unit: mm)**



**Options**

Finger guards

page: p. 513

Model no.: 109-1065

# Mouser Electronics

Authorized Distributor

Click to View Pricing, Inventory, Delivery & Lifecycle Information:

## Sanyo Denki:

[9GV0312P3J03](#) [9GV0312E301](#) [9GV0312J301](#) [9GV0312G301](#) [9GV0312J3011](#) [9GV0312K301](#) [9GV0312K3011](#)  
[9GV0312E3011](#) [9GV0312J302](#) [9GV0312G302](#) [9GV0312G3D01](#) [9GV0312E3D01](#) [9GV0312J3D01](#) [9GV0312E302](#)  
[9GV0312P3K01](#) [9GV0312H301](#) [9GV0312G3021](#) [9GV0312H3011](#) [9GV0312J3021](#) [9GV0312P3G03](#) [9GV0312G3011](#)  
[9GV0312K3D01](#) [9GV0312H3D01](#) [9GV0312K3D011](#) [9GV0312E3D011](#)