

THIS DRAWING IS UNPUBLISHED.

RELEASED FOR PUBLICATION

ALL RIGHTS RESERVED.

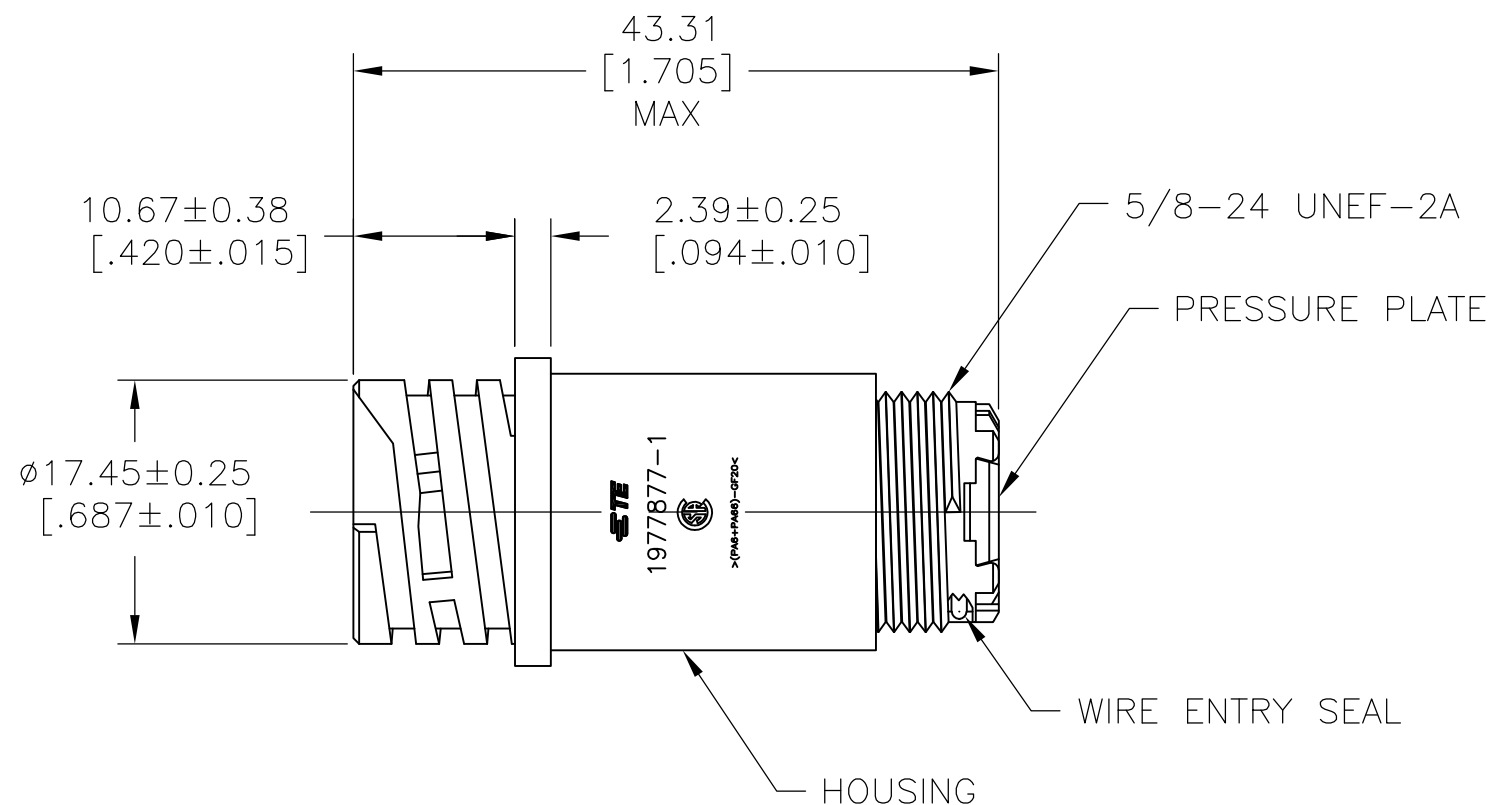
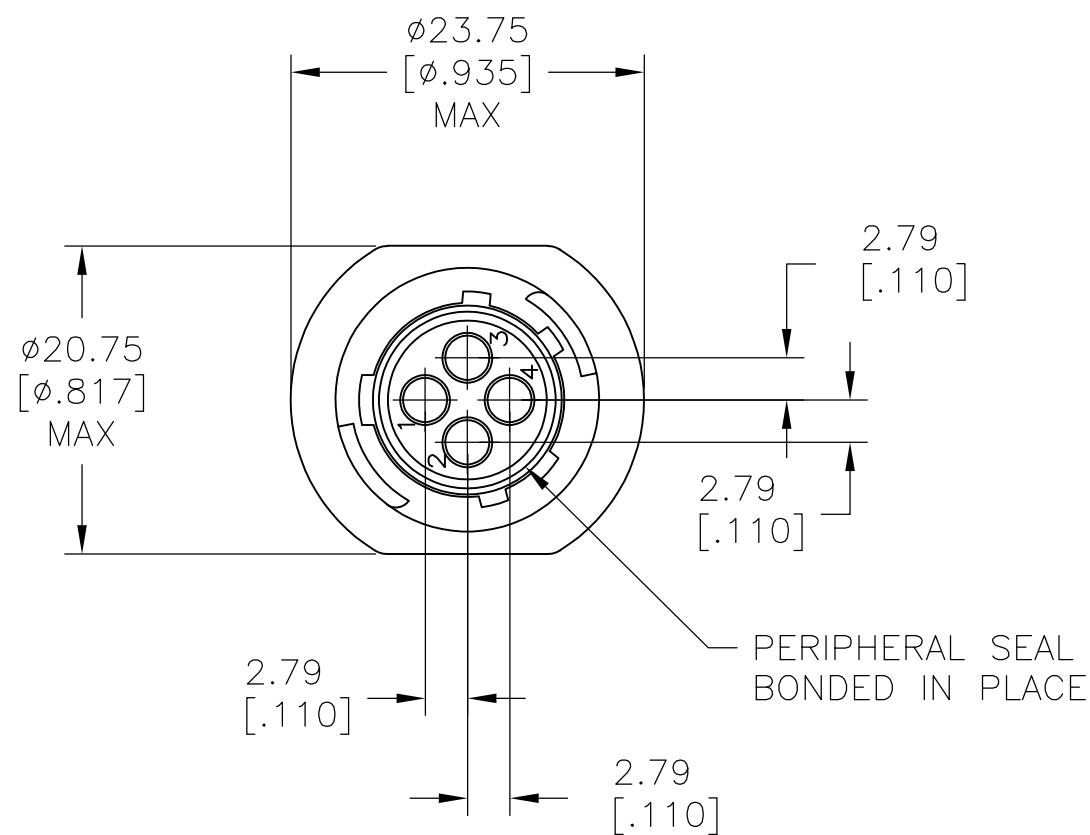
© COPYRIGHT - By -

LOC
FT

DIST
4

REVISIONS

P	LTR	DESCRIPTION	DATE	DWN	APVD
A		NEW DRAWING PER ECO-12-018480	08NOV12	KH	MZ



1 THIS PART WILL ACCEPT FOUR (4) MULTIMATE PIN CONTACTS.

2 HOUSING AND PRESSURE PLATE: NYLON, BLACK.
 PERIPHERAL SEAL: ELASTOMER, GRAY.
 WIRE ENTRY SEAL: ELASTOMER, RED-IRON OXIDE.

1977877-1
 PART NUMBER

THIS DRAWING IS A CONTROLLED DOCUMENT.		DWN KIRAN HOLAL 08NOV12	TE Connectivity														
DIMENSIONS: mm [INCHES]		CHK M ZITTO 08NOV12															
TOLERANCES UNLESS OTHERWISE SPECIFIED:		APVD M ZITTO 08NOV12	NAME CPC FREE HANGING RECEPTACLE ASSEMBLY,SERIES 1, SEALED,11-4, STANDARD SEX, UV RESISTANT														
<table border="0"> <tr><td>0 PLC</td><td>± -</td></tr> <tr><td>1 PLC</td><td>± -</td></tr> <tr><td>2 PLC</td><td>± 0.13 [.005]</td></tr> <tr><td>3 PLC</td><td>± -</td></tr> <tr><td>4 PLC</td><td>± -</td></tr> <tr><td>ANGLES</td><td>± -</td></tr> </table>		0 PLC	± -	1 PLC	± -	2 PLC	± 0.13 [.005]	3 PLC	± -	4 PLC	± -	ANGLES	± -	PRODUCT SPEC -	APPLICATION SPEC -		
0 PLC	± -																
1 PLC	± -																
2 PLC	± 0.13 [.005]																
3 PLC	± -																
4 PLC	± -																
ANGLES	± -																
MATERIAL		WEIGHT -	SIZE A3	CAGE CODE 00779	DRAWING NO C-1977877	RESTRICTED TO -											
FINISH -		CUSTOMER DRAWING		SCALE 2:1	SHEET 1 OF 1	REV A											

Mouser Electronics

Authorized Distributor

Click to View Pricing, Inventory, Delivery & Lifecycle Information:

[TE Connectivity:](#)

[1977877-1](#)