

FUSE STRIPS WITH HOUSING RATED 80V

RoHS

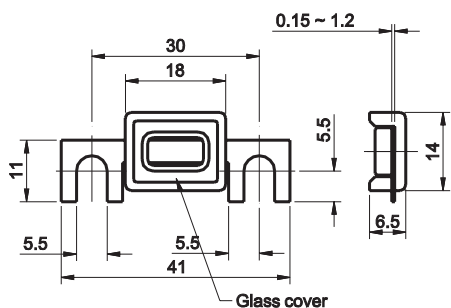


Description

Housed fuse strips with window for visual inspection of melting element. Current rating 30A - 150A, 80 VDC. 90° fork type lugs.

Dimensions

Dimensions in mm



Ratings

Part Number	Current Rating	Typ. Voltage Drop
156.5611.5301	30 A*	70 mV
156.5611.5401	40 A*	70 mV
156.5611.5501	50 A*	70 mV
156.5611.5601	60 A*	70 mV
156.5611.5701	70 A*	70 mV
156.5611.5801	80 A*	70 mV
156.5611.6101	100 A*	70 mV
156.5611.6111	120 A*	70 mV
156.5611.6121	125 A*	70 mV
156.5611.6151	150 A*	70 mV

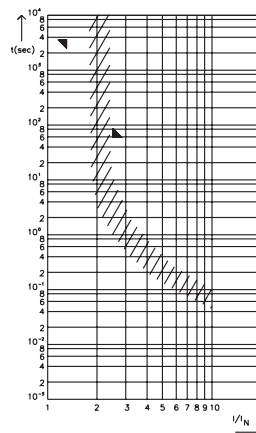
Specifications

Insulating Body:	Out of ceramic
Metal Parts:	Zinc-alloy
Complies with:	DIN 72581/2
Complies with:	UL 248 Special Purpose Fuses

Ordering Information

Part Number	Package Size
156.5611.xxx1	50

Pre-Arcing Time-Limits



FI = 1.00 (max. operating current : 1.0 x I_{rat} at 23°C)

Time-Current Characteristics

% of Rating	Opening Time Min / Max (s)
130	3,600 s / -
250	- / 60 s

Corresponding holder see Section "Fuse Holders."

*Metal parts in compliance with DIN 7258½. Fuses with housings not mentioned in the standards.

Mouser Electronics

Authorized Distributor

Click to View Pricing, Inventory, Delivery & Lifecycle Information:

[Littelfuse:](#)

[156.5611.5301](#) [156.5611.5401](#) [156.5611.5701](#) [156.5611.5801](#) [156.5611.6101](#) [156.5611.6121](#) [156.5611.6151](#)