

Customer Information Sheet

DRAWING No.: M50-470XX45

SHEET 2 OF 2

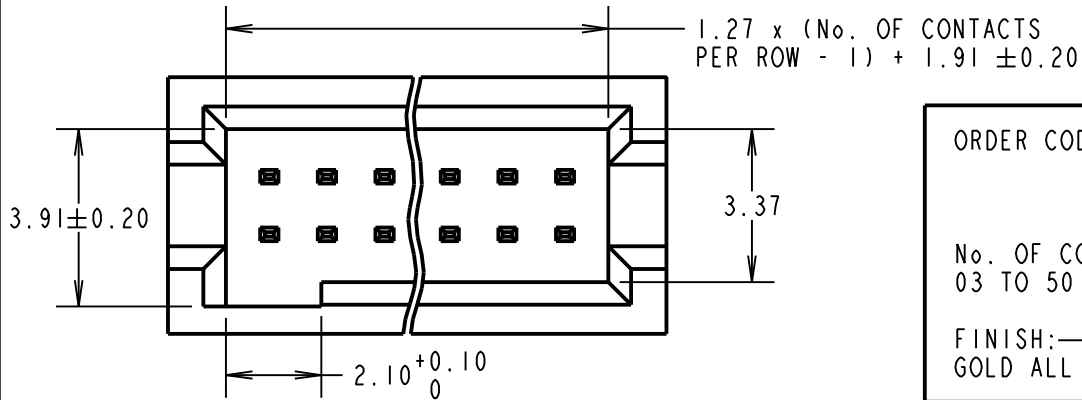
IF IN DOUBT - ASK

©

NOT TO SCALE

THIRD ANGLE PROJECTION

ALL DIMENSIONS IN mm



ORDER CODE:
M50-470XX45

No. OF CONTACTS PER ROW: _____

03 TO 50

FINISH: _____

GOLD ALL OVER CONTACT

SPECIFICATIONS:

MATERIAL:
MOULDING = LCP UL94V-0, BLACK
CONTACT = COPPER ALLOY

FINISH:
CONTACT = GOLD

ELECTRICAL:
CURRENT RATING = 1A
VOLTAGE PROOF = 300V AC FOR ONE MINUTE
CONTACT RESISTANCE = 20mΩ MAX
INSULATION RESISTANCE = 1000MΩ MIN

MECHANICAL:
DURABILITY = 100 CYCLES MIN

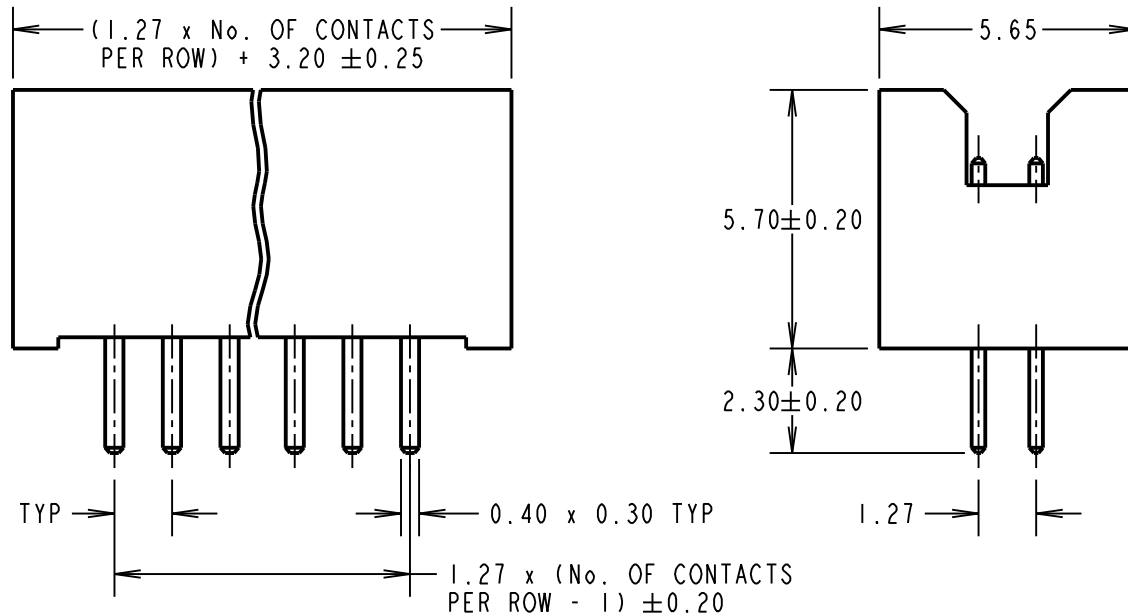
ENVIRONMENTAL:
OPERATING TEMPERATURE = -40°C TO +105°C

PACKING:
TUBE
FOR COMPLETE SPECIFICATION, SEE COMPONENT SPECIFICATION C029XX (LATEST ISSUE).

OBSOLETE
All other size/finish combinations not listed below

NOTES:

1. RECOMMENDED PCB HOLE SIZE = $\varnothing 0.65 \pm 0.05$ mm.
2. ALL TOLERANCES ARE ± 0.15 UNLESS OTHERWISE STATED.



Active products:

M50-4700545
M50-4700845
M50-4701045
M50-4701545
M50-4701745
M50-4702045

| | | | |
|----------------|------|------------|--------|
| SB | 7 | 29.07.13 | 11873 |
| NAME | ISS. | DATE | C/NOTE |
| APPROVED: | | S.BENNETT | |
| CHECKED: | | S.FLOWER | |
| DRAWN: | | J. ENRIGHT | |
| CUSTOMER REF.: | | | |
| ASSEMBLY DRG: | | | |

HARWIN

www.harwin.com
technical@harwin.com

THIS DRAWING AND ANY INFORMATION OR DESCRIPTIVE MATTER SET OUT HEREON ARE CONFIDENTIAL AND COPYRIGHT PROPERTY OF THE HARWIN GROUP AND MUST NOT BE DISCLOSED, LOANED, COPIED OR USED FOR MANUFACTURING, TENDERING OR FOR ANY OTHER PURPOSE WITHOUT THEIR WRITTEN PERMISSION.

TOLERANCES

~~A = ± 1mm~~
~~X.X = ± 0.25mm~~
~~X.XX = ± 0.10mm~~
~~X.XXX = ± 0.01mm~~
~~ANGLES = ± 5°~~
~~UNLESS STATED~~

MATERIAL:

SEE ABOVE

FINISH: SEE ABOVE

S/AREA:

mm²

TITLE:

1.27mm PITCH DIL VERTICAL PIN HEADER ASSY

DRAWING NUMBER:

M50-470XX45

SHT
2 OF 2