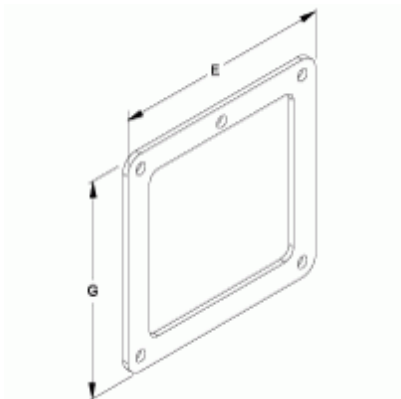




*Quality Products. Service Excellence.*

## Box Connector *1487K Series*



Part No.	For use with	H	W
1487BK	2.5 x 2.5	3.87	3.87
1487CK	4 x 4	5.37	5.37
1487DK	6 x 6	7.62	7.62
1487EK	8 x 8	9.62	9.62

*Data subject to change without notice*



© 2020. Hammond Manufacturing Ltd. All rights reserved.

# Mouser Electronics

Authorized Distributor

Click to View Pricing, Inventory, Delivery & Lifecycle Information:

[Hammond:](#)

[1487BK](#) [1487DK](#) [1487CK](#) [1487EK](#)