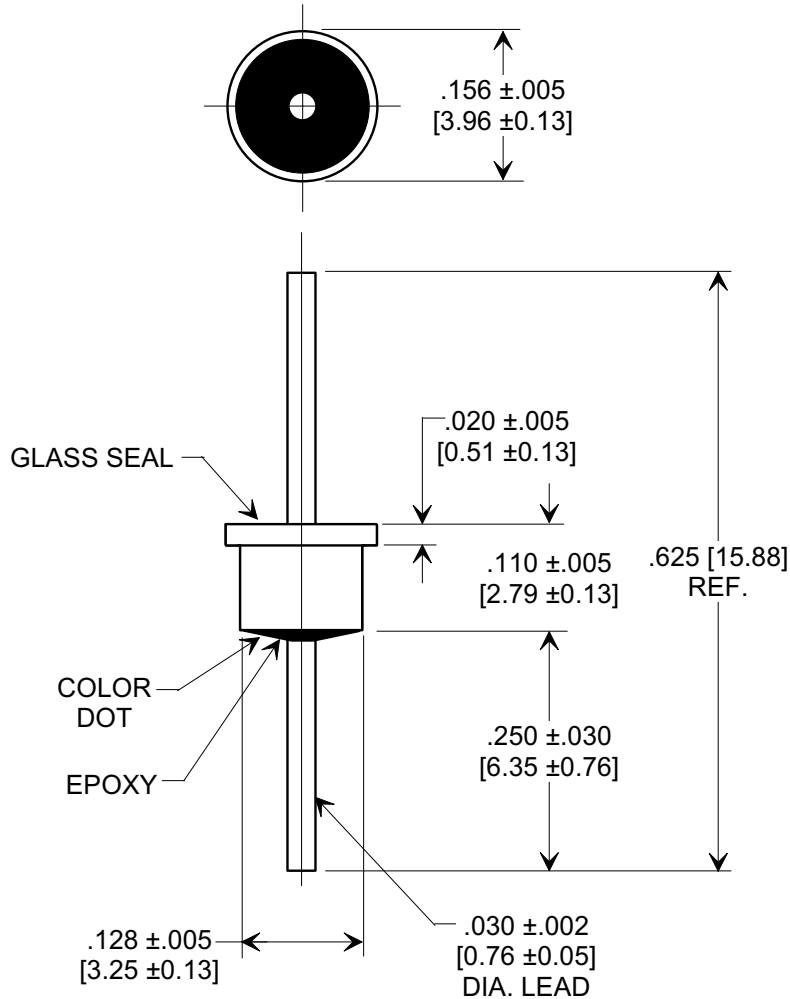
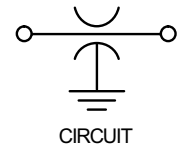
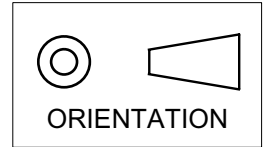


MARKETING SALES DRAWING
 DIMENSIONS IN INCHES - DO NOT SCALE THIS DRAWING
 DIMENSIONS IN METRIC - []

Electrical Testing
 per Tusonix standard
 test plans and Mil-Std-202
 Test Methods.



NOTES:

1. Operating temperature range: -55°C to +125°C.
2. Gold plated case and lead.
3. Epoxy sealed on opposite end from glass seal.
4. Max. recommended soldering temperature: 260°C.
See installation recommendations.
5. Recommended mounting hole: .135 dia.
6. Solder preform available for mounting.
7. Tusonix Standard part number: 4300-022.
Tusonix RoHS compliant part number: 4300-022 LF.
Customer must specify Standard or RoHS part number when ordering.
8. RoHS compliant part marked with additional dark green dot for identification.

Cx (pF)	TOL.	DC WORKING VOLTAGE		I.R. MIN. @ 100 (VDC.)	DWV (VDC)	DC CURRENT (AMPS)	MIN. NO LOAD INSERTION LOSS (dB) @ 25° C PER MIL-STD-220					COLOR CODE
		85°C	125°C				1 MHz	10 MHz	100 MHz	1 GHz	10 GHz	
1200	GMV	300	200	10 G	500	5	---	5	20	35	45	WHITE

X-2015 Rev-0

REVISION RECORD	0	Original Release C.O. 5261
	1	VARS 025, 026, 027 & 1MHz COLUMN ADDED. L.E. 11-07-90
	2	VARS 681 WAS 030 & VAR 031 ADDED. L.E. 06-10-91
	3	20021001-8-03 ADDED NOTES 7 & 8. S.M. 05-23-05
	4	20050511-2-23

--TOLERANCES-- Unless Otherwise Specified		Title SOLDER MOUNT EMI FILTER	
DECIMAL ± NOTED			
ANGLES ±		Drawn S.M. 10-02-02	Scale 5 X
TUSONIX TUCSON, ARIZONA		Approved T.C. 10-02-02	
A		4300-022	

Mouser Electronics

Authorized Distributor

Click to View Pricing, Inventory, Delivery & Lifecycle Information:

[Tusonix / CTS:](#)

[4300-022LF](#)