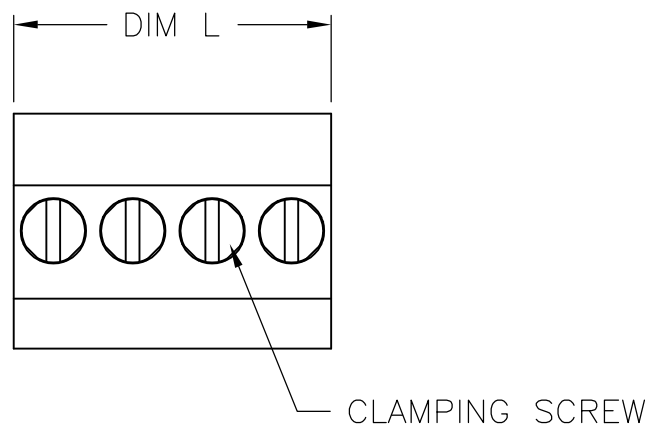


THIS DRAWING IS UNPUBLISHED. RELEASED FOR PUBLICATION  
 © COPYRIGHT BY TYCO ELECTRONICS CORPORATION. ALL RIGHTS RESERVED.

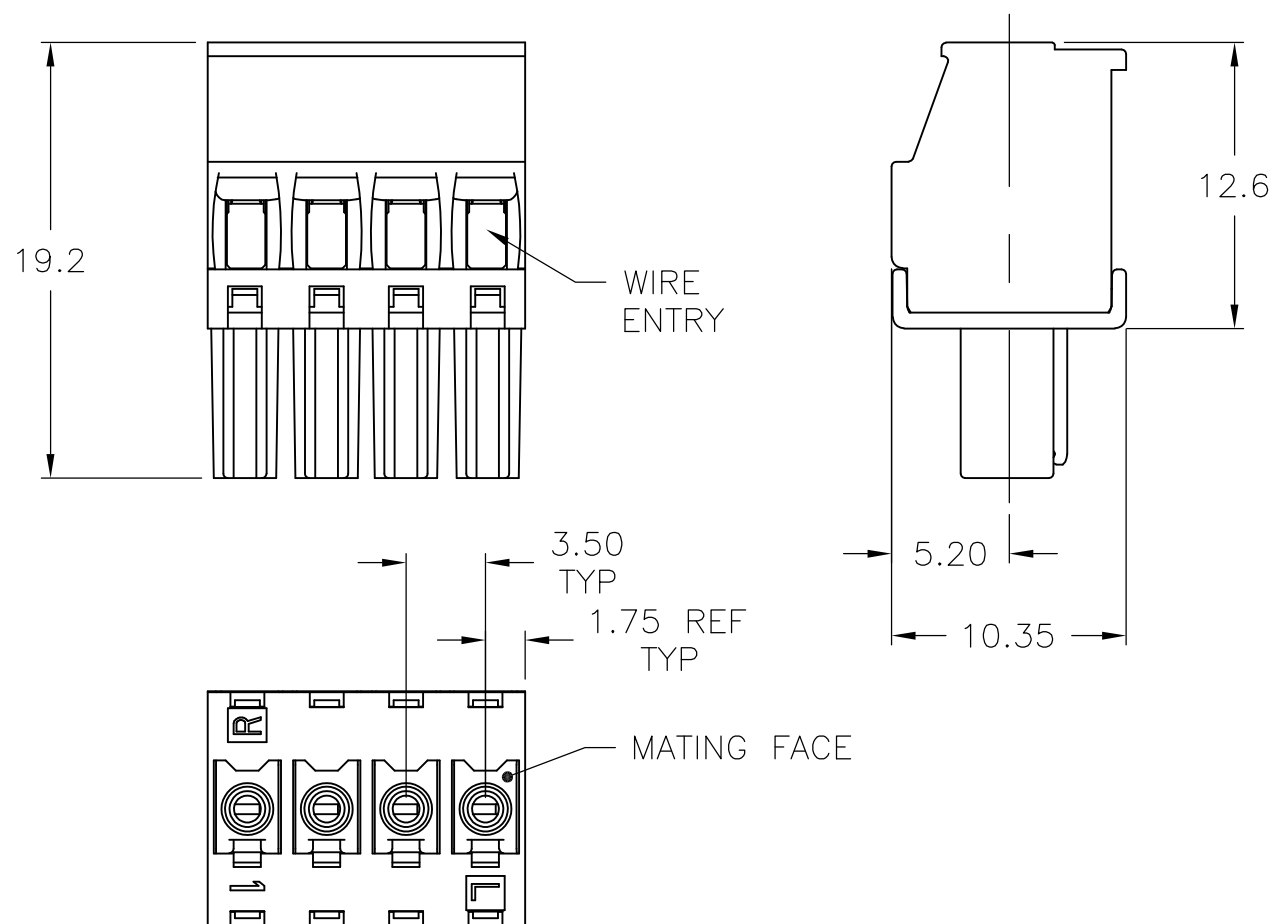
LOC	DIST	REVISIONS			
P	LTR	DESCRIPTION	DATE	DWN	APVD
—	—	A	REVISED PER ECO-09-014471	18JUN09	HMR CR



**MATERIALS AND FINISH:**  
 HOUSING: PA 6-6, UL94V-0, COLOR: GREEN.  
 CLAMP: BRASS, NICKEL PLATED.  
 CONTACT SPRING: PHOSPHOR BRONZE, TIN PLATED.  
 CLAMPING SCREW: M2, BRASS, NICKEL PLATED.

**ELECTRICAL:**  
 VOLTAGE RATING: 300V  
 CURRENT RATING: 11A  
 WIRE SIZE RANGE: 14-30 AWG

**ENVIRONMENTAL:**  
 OPERATING TEMP RANGE: -40°C TO +110°C



56.0	16	1-1986371-6
52.5	15	1-1986371-5
49.0	14	1-1986371-4
45.5	13	1-1986371-3
42.0	12	1-1986371-2
38.5	11	1-1986371-1
35.0	10	1-1986371-0
31.5	9	1986371-9
28.0	8	1986371-8
24.5	7	1986371-7
21.0	6	1986371-6
17.5	5	1986371-5
14.0	4	1986371-4
10.5	3	1986371-3
7.0	2	1986371-2
DIM L	NO OF POS	PART NUMBER

THIS DRAWING IS A CONTROLLED DOCUMENT.		DWN S SCHLEGEL 18MAR2008	Tyco Electronics Corporation Harrisburg, PA 17105-3608			
DIMENSIONS: mm		CHK C RICHARD 3/19/08				
TOLERANCES UNLESS OTHERWISE SPECIFIED:		APVD C RICHARD 3/19/08	NAME			
0 PLC ± - 1 PLC ± 0.3 2 PLC ± 0.25 3 PLC ± - 4 PLC ± - ANGLES ± 2°		PRODUCT SPEC	TERMINAL BLOCK, PLUG, VERTICAL STACKING LEFT HAND, 3.50mm PITCH			
MATERIAL		APPLICATION SPEC	SIZE	CAGE CODE	DRAWING NO	RESTRICTED TO
FINISH		WEIGHT	A3	00779	C-1986371	-
CUSTOMER DRAWING			SCALE	SHEET	REV	
			NTS	1 OF 1	A	

# Mouser Electronics

Authorized Distributor

Click to View Pricing, Inventory, Delivery & Lifecycle Information:

[TE Connectivity:](#)

[1-1986371-2](#)