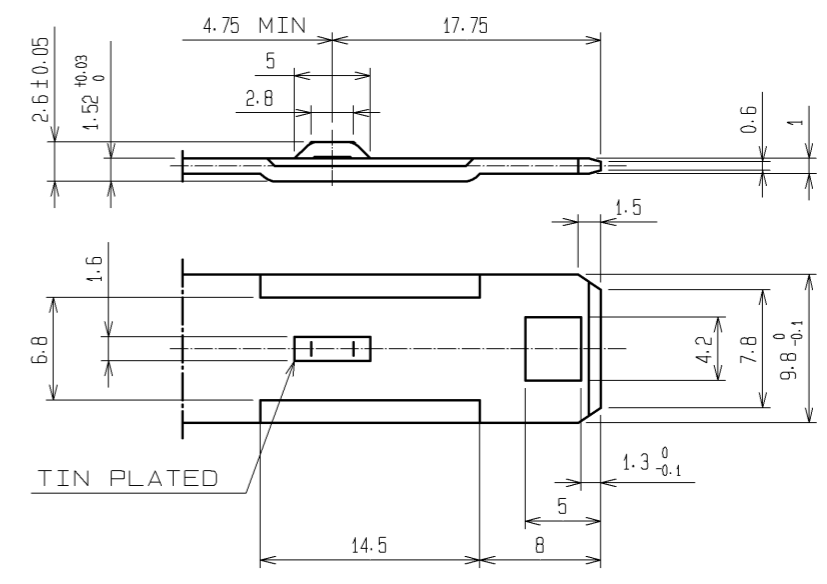
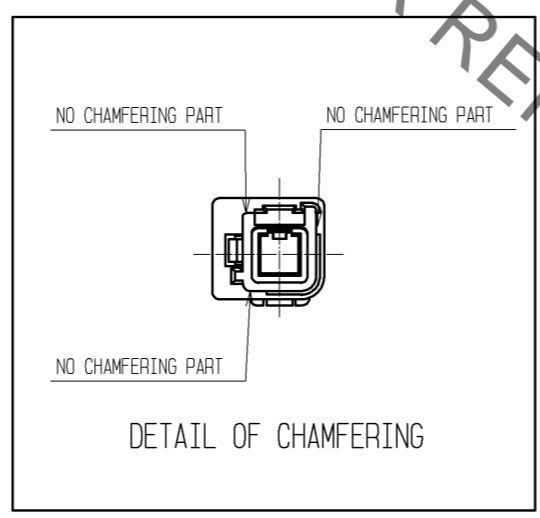
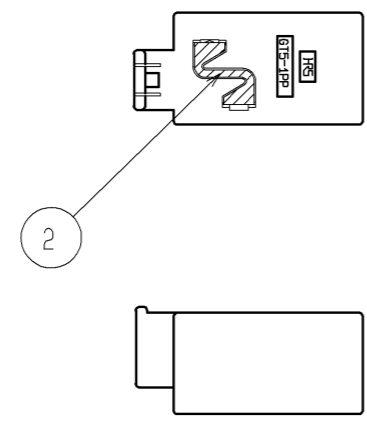
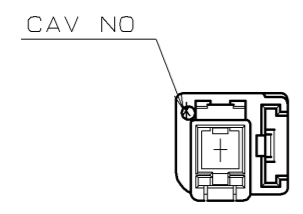
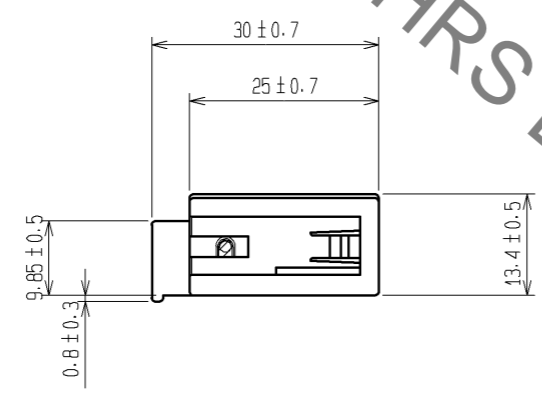
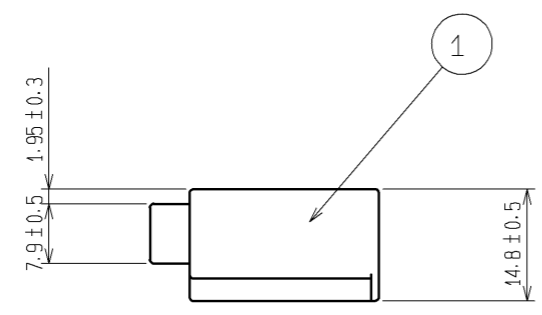
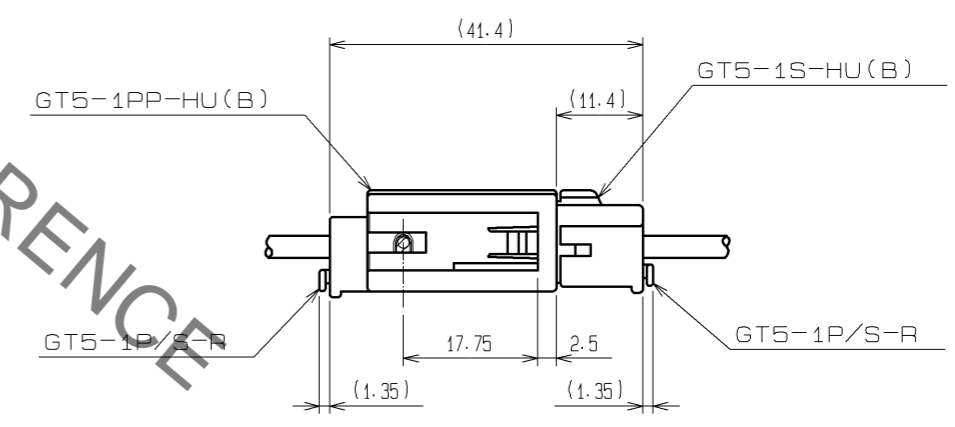


Dec.1.2020 Copyright 2020 HIROSE ELECTRIC CO., LTD. All Rights Reserved.  
In case of consideration for using Automotive equipment / device which demand high reliability, kindly contact our sales window correspondents.

ELV. RoHS COMPLIANT



DETAIL OF FITTING PLATE(2:1)



MATED CONNECTORS

NOTE1. THIS CONNECTOR SHALL BE USED WITH A RETAINER (CL755-0006-2).  
2. APPLICABLE CONNECTOR: GT5-1S-HU(B) (CL755-0038-9)

1	PBT	UL94V-0, GREEN	2	PHOSPHOR BRONZE	TIN PLATED, T=0.3		
NO.	MATERIAL	FINISH, REMARKS	NO.	MATERIAL	FINISH, REMARKS		
UNITS mm		SCALE 1:1	COUNT 	DESCRIPTION OF REVISIONS	DESIGNED	CHECKED	DATE
<b>HRS</b> HIROSE ELECTRIC CO., LTD.		APPROVED : KS. SATOH	08.08.09	DRAWING NO.	EDC3-165295-02		
		CHECKED : MO. OKADA	08.08.09	PART NO.	GT5-1PP-HU(B)(70)		
		DESIGNED : MH. YAMAGUCHI	08.08.09	CODE NO.	CL755-0040-0-70		
		DRAWN : MH. YAMAGUCHI	08.08.09		1/1		