

NL17SV16

Ultra-Low Voltage Buffer

The NL17SV16XV5T2 is an ultra-high performance single Buffer fabricated in sub-micron silicon gate 0.35 μm technology with excellent performance down to 0.9 V. This device is ideal for extremely high-speed and high-drive applications. Additionally, limitations of board space are no longer a constraint. The very small SOT-553 makes this device fit most tight designs and spaces.

The internal circuit is composed of three stages; including a buffered output which provides high noise immunity and stable output. The NL17SV16XV5T2 input structure provides protection when voltages up to 3.6 V are applied.

Features

- Extremely High Speed: 1.5 ns (Typ) at $V_{CC} = 3.3\text{ V}$
- Designed for 0.9 V to 3.6 V Operation
- Overvoltage Tolerance (OVT)* Input Permits Logic Translation
- Balanced $\pm 24\text{ mA}$ Output Drive @ 3.3 Volts
- Near Zero Static Supply Current
- Ultra-Tiny SOT-553 5 Pin Package Only 1.6 x 1.6 mm Footprint
- Ultra-Tiny SOT-553 5-Pin Package, only 1.6 x 1.6 x 0.6 mm
- These Devices are Pb-Free and are RoHS Compliant

Typical Applications

- Cellular
- Digital Camera
- PDA
- Digital Video

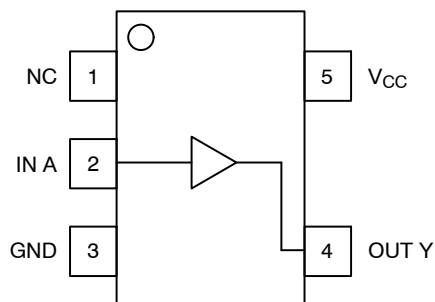


Figure 1. Pinout (Top View)

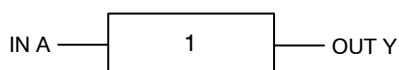


Figure 2. Logic Symbol

*Overvoltage Tolerance (OVT) enables input pins to function outside (higher) of their operating voltages, with no damage to the devices or to signal integrity.



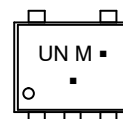
ON Semiconductor®

www.onsemi.com



SOT-553
CASE 463B

MARKING DIAGRAM



UN = Specific Device Code
M = Date Code
▪ = Pb-Free Package

(Note: Microdot may be in either location)

PIN ASSIGNMENT

| PIN # | FUNCTION |
|-------|----------|
| 1 | NC |
| 2 | IN A |
| 3 | GND |
| 4 | OUT Y |
| 5 | V_{CC} |

FUNCTION TABLE

| Input A | Output Y |
|---------|----------|
| L | L |
| H | H |

ORDERING INFORMATION

| Device | Package | Shipping† |
|----------------|-------------------|--------------------|
| NL17SV16XV5T2G | SOT-553 (Pb-Free) | 4000 / Tape & Reel |

†For information on tape and reel specifications, including part orientation and tape sizes, please refer to our Tape and Reel Packaging Specifications Brochure, BRD8011/D.

NL17SV16

MAXIMUM RATINGS

| Symbol | Rating | Value | Units |
|------------------|---|-------------------------------|-------|
| V _{CC} | DC Supply Voltage | -0.5 to +4.6 | V |
| V _I | DC Input Voltage | -0.5 to +4.6 | V |
| V _O | DC Output Voltage | -0.5 to V _{CC} + 0.5 | V |
| I _{IK} | DC Input Diode Current V _{IN} < 0 V | -50 | mA |
| I _{OK} | DC Output Diode Current V _{OUT} < 0 V V _{OUT} > V _{CC} | -50 +50 | mA |
| I _O | DC Output Sink Current | ±50 | mA |
| I _{CC} | DC Supply Current per Supply Pin | ±50 | mA |
| I _{GND} | DC Ground Current per Ground Pin | ±50 | mA |
| T _{STG} | Storage Temperature Range | -65 to +150 | °C |
| T _L | Lead Temperature, 1.0 mm from Case for 10 seconds | 260 | °C |
| T _J | Junction Temperature Under Bias | +150 | °C |
| θ _{JA} | Thermal Resistance (Note 1) | 250 | °C/W |
| P _D | Power Dissipation in Still Air at 85°C | 250 | mW |
| MSL | Moisture Sensitivity | Level 1 | |
| F _R | Flammability Rating Oxygen index: 28 to 34 | UL 94 V-0 @ 0125 in | |
| V _{ESD} | ESD Withstand Voltage Human Body Model (Note 2) Machine Model (Note 3) | 2000 300 | V |

Stresses exceeding those listed in the Maximum Ratings table may damage the device. If any of these limits are exceeded, device functionality should not be assumed, damage may occur and reliability may be affected.

1. Measured with minimum pad spacing on an FR4 board, using 10 mm-by-1 inch, 2 ounce copper trace no air flow.
2. Tested to EIA/JESD22-A114-A.
3. Tested to EIA/JESD22-A115-A.

RECOMMENDED OPERATING CONDITIONS

| Symbol | Parameter | Min | Max | Units |
|----------------------------------|---|-----|--------------------------------------|-------|
| V _{CC} | Positive DC Supply Voltage | 0.9 | 3.6 | V |
| V _{IN} | Digital Input Voltage | 0 | 3.6 | V |
| V _{out} | Output Voltage | 0 | V _{CC} | V |
| I _{OH} /I _{OL} | Output Current V _{CC} = 3.0 V to 3.6 V V _{CC} = 2.3 V to 2.7 V V _{CC} = 1.65 V to 1.95 V V _{CC} = 1.4 V to 1.6 V V _{CC} = 1.1 V to 1.3 V V _{CC} = 0.9 V | | ±24 ±18 ±6 ±4 ±2 ±0.1 | mA |
| t _A | Operating Temperature Range. All Package Types | -40 | +85 | °C |
| t _r , t _f | Input Rise or Fall Time V _{CC} = 3.3V ± 0.3 V | 0 | 10 | nS/V |

Functional operation above the stresses listed in the Recommended Operating Ranges is not implied. Extended exposure to stresses beyond the Recommended Operating Ranges limits may affect device reliability.

NL17SV16

DC CHARACTERISTICS – Digital Section (Voltages Referenced to GND)

| Symbol | Parameter | Condition | V _{CC} | T _A = 25°C | | T _A = -40 to 85°C | | Units |
|------------------|---------------------------|---|---|--|--|--|--|-------|
| | | | | Min | Max | Min | Max | |
| V _{IH} | High Level Input Voltage | | 0.90 1.10 ≤ V _{CC} ≤ 1.30 1.40 ≤ V _{CC} ≤ 1.60 1.65 ≤ V _{CC} ≤ 1.95 2.30 ≤ V _{CC} ≤ 2.70 2.70 ≤ V _{CC} ≤ 3.60 | 0.65 × V _{CC} 0.65 × V _{CC} 0.65 × V _{CC} 0.65 × V _{CC} 1.6 2.0 | | 0.65 × V _{CC} 0.65 × V _{CC} 0.65 × V _{CC} 0.65 × V _{CC} 1.6 2.0 | | V |
| V _{IL} | Low Level Input Voltage | | 0.90 1.10 ≤ V _{CC} ≤ 1.30 1.40 ≤ V _{CC} ≤ 1.60 1.65 ≤ V _{CC} ≤ 1.95 2.30 ≤ V _{CC} ≤ 2.70 2.70 ≤ V _{CC} ≤ 3.60 | | 0.35 × V _{CC} 0.35 × V _{CC} 0.35 × V _{CC} 0.35 × V _{CC} 0.7 0.8 | | 0.35 × V _{CC} 0.35 × V _{CC} 0.35 × V _{CC} 0.35 × V _{CC} 0.7 0.8 | V |
| V _{OH} | High Level Output Voltage | I _{OH} = -100 μA | 0.90 1.10 ≤ V _{CC} ≤ 1.30 1.40 ≤ V _{CC} ≤ 1.60 1.65 ≤ V _{CC} ≤ 1.95 2.30 ≤ V _{CC} ≤ 2.70 2.70 ≤ V _{CC} ≤ 3.60 | V _{CC} - 0.1 V _{CC} - 0.1 V _{CC} - 0.2 V _{CC} - 0.2 V _{CC} - 0.2 V _{CC} - 0.2 | | V _{CC} - 0.1 V _{CC} - 0.1 V _{CC} - 0.2 V _{CC} - 0.2 V _{CC} - 0.2 V _{CC} - 0.2 | | V |
| | | I _{OH} = -2.0 mA | 1.10 ≤ V _{CC} ≤ 1.30 | 0.75 × V _{CC} | | 0.75 × V _{CC} | | |
| | | I _{OH} = -4.0 mA | 1.40 ≤ V _{CC} ≤ 1.60 | 0.75 × V _{CC} | | 0.75 × V _{CC} | | |
| | | I _{OH} = -6.0 mA | 1.65 ≤ V _{CC} ≤ 1.95 2.30 ≤ V _{CC} ≤ 2.70 | 1.25 2.0 | | 1.25 2.0 | | |
| | | I _{OH} = -12 mA | 2.30 ≤ V _{CC} ≤ 2.70 2.70 < V _{CC} ≤ 3.60 | 1.8 2.2 | | 1.8 2.2 | | |
| | | I _{OH} = -18 mA | 2.30 ≤ V _{CC} ≤ 2.70 2.70 < V _{CC} ≤ 3.60 | 1.7 2.4 | | 1.7 2.4 | | |
| | | I _{OH} = -24 mA | 2.70 ≤ V _{CC} ≤ 3.60 | 2.2 | | 2.2 | | |
| V _{OL} | Low Level Output Voltage | I _{OL} = 100 μA | 0.90 1.10 ≤ V _{CC} ≤ 1.30 1.40 ≤ V _{CC} ≤ 1.60 1.65 ≤ V _{CC} ≤ 1.95 2.30 ≤ V _{CC} ≤ 2.70 2.70 ≤ V _{CC} ≤ 3.60 | | 0.1 0.1 0.2 0.2 0.2 0.2 | | 0.1 0.1 0.2 0.2 0.2 0.2 | V |
| | | I _{OL} = 2.0 mA | 1.10 ≤ V _{CC} ≤ 1.30 | | 0.25 × V _{CC} | | 0.25 × V _{CC} | |
| | | I _{OL} = 4.0 mA | 1.40 ≤ V _{CC} ≤ 1.60 | | 0.25 × V _{CC} | | 0.25 × V _{CC} | |
| | | I _{OL} = 6.0 mA | 1.65 ≤ V _{CC} ≤ 1.95 | | 0.3 | | 0.3 | |
| | | I _{OL} = 12 mA | 2.30 ≤ V _{CC} ≤ 2.70 2.70 < V _{CC} ≤ 3.60 | | 0.4 0.4 | | 0.4 0.4 | |
| | | I _{OL} = 18 mA | 2.30 ≤ V _{CC} ≤ 2.70 2.70 < V _{CC} ≤ 3.60 | | 0.6 0.4 | | 0.6 0.4 | |
| | | I _{OL} = 24 mA | 2.70 ≤ V _{CC} ≤ 3.60 | | 0.55 | | 0.55 | |
| I _{IN} | Input Leakage Current | 0 = V _I = 3.6 V | 0.90 to 3.60 | | ±0.1 | | ±0.9 | μA |
| I _{OFF} | Power Off Leakage Current | | 0 | | 1 | | 5 | μA |
| I _{CC} | Quiescent Supply Current | V _I = V _{CC} or GND | 0.90 to 3.60 | | 0.9 | | 5 | μA |

NL17SV16

AC CHARACTERISTICS (Input $t_r = t_f = 3.0$ nS)

| Symbol | Parameter | -40°C | | 25°C | | | 85°C | | Units |
|--|-------------------------------|---|---|-------------------|-------------------|-------------------|-------------------|-------------------|-------|
| | | Condition | V _{CC} | Min | Typ | Max | Min | Max | |
| T _{PHL} , T _{PLH} | Propagation Delay | C _L = 15 pF, R _L = 1.0 MΩ | 0.90 | | 20 | | | | nS |
| | | C _L = 15 pF, R _L = 2.0 kΩ | 1.10 ≤ V _{CC} ≤ 1.30 1.40 ≤ V _{CC} ≤ 1.60 | 2.0 1.0 | 6.0 3.2 | 13 6.1 | 1.0 1.0 | 16.9 7.0 | nS |
| | | C _L = 30 pF, R _L = 500 Ω | 1.65 ≤ V _{CC} ≤ 1.95 2.30 ≤ V _{CC} ≤ 2.70 2.70 ≤ V _{CC} ≤ 3.60 | 1.0 0.8 0.7 | 2.0 1.2 1.0 | 5.2 3.7 3.3 | 1.0 0.7 0.6 | 6.2 4.4 3.8 | nS |
| C _{IN} | Input Capacitance | | 0 | | 2.0 | | | | pF |
| C _{OUT} | Output Capacitance | | 0 | | 4.5 | | | | pF |
| C _{PD} | Power Dissipation Capacitance | V _I = 0 V or V _{CC} F = 10 MHz | 0.90 to 3.60 | | 20 | | | | pF |

DEVICE JUNCTION TEMPERATURE VERSUS TIME TO 0.1% BOND FAILURES

| Junction Temperature °C | Time, Hours | Time, Years |
|-------------------------|-------------|-------------|
| 80 | 1,032,200 | 117.8 |
| 90 | 419,300 | 47.9 |
| 100 | 178,700 | 20.4 |
| 110 | 79,600 | 9.4 |
| 120 | 37,000 | 4.2 |
| 130 | 17,800 | 2.0 |
| 140 | 8,900 | 1.0 |

MECHANICAL CASE OUTLINE

PACKAGE DIMENSIONS

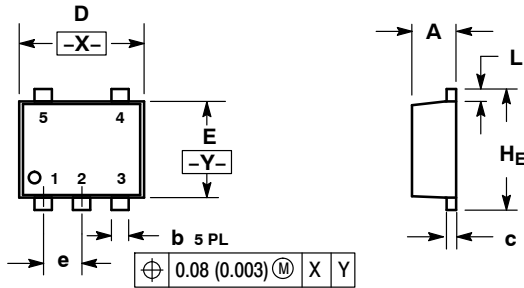
ON Semiconductor®



SCALE 4:1

SOT-553, 5 LEAD CASE 463B ISSUE C

DATE 20 MAR 2013

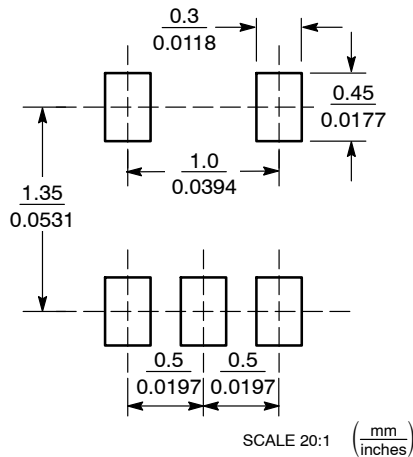


NOTES:

1. DIMENSIONING AND TOLERANCING PER ANSI Y14.5M, 1982.
2. CONTROLLING DIMENSION: MILLIMETERS
3. MAXIMUM LEAD THICKNESS INCLUDES LEAD FINISH THICKNESS. MINIMUM LEAD THICKNESS IS THE MINIMUM THICKNESS OF BASE MATERIAL.

| DIM | MILLIMETERS | | | INCHES | | |
|----------------|-------------|------|------|-----------|-------|-------|
| | MIN | NOM | MAX | MIN | NOM | MAX |
| A | 0.50 | 0.55 | 0.60 | 0.020 | 0.022 | 0.024 |
| b | 0.17 | 0.22 | 0.27 | 0.007 | 0.009 | 0.011 |
| c | 0.08 | 0.13 | 0.18 | 0.003 | 0.005 | 0.007 |
| D | 1.55 | 1.60 | 1.65 | 0.061 | 0.063 | 0.065 |
| E | 1.15 | 1.20 | 1.25 | 0.045 | 0.047 | 0.049 |
| e | 0.50 BSC | | | 0.020 BSC | | |
| L | 0.10 | 0.20 | 0.30 | 0.004 | 0.008 | 0.012 |
| H _E | 1.55 | 1.60 | 1.65 | 0.061 | 0.063 | 0.065 |

RECOMMENDED SOLDERING FOOTPRINT*



GENERIC MARKING DIAGRAM*



- XX = Specific Device Code
- M = Date Code
- = Pb-Free Package

(Note: Microdot may be in either location)

*This information is generic. Please refer to device data sheet for actual part marking. Pb-Free indicator, "G" or microdot "▪", may or may not be present.

*For additional information on our Pb-Free strategy and soldering details, please download the ON Semiconductor Soldering and Mounting Techniques Reference Manual, SOLDERRM/D.

STYLE 1:

- PIN 1. BASE
- 2. EMITTER
- 3. BASE
- 4. COLLECTOR
- 5. COLLECTOR

STYLE 2:

- PIN 1. CATHODE
- 2. COMMON ANODE
- 3. CATHODE 2
- 4. CATHODE 3
- 5. CATHODE 4

STYLE 3:

- PIN 1. ANODE 1
- 2. N/C
- 3. ANODE 2
- 4. CATHODE 2
- 5. CATHODE 1

STYLE 4:

- PIN 1. SOURCE 1
- 2. DRAIN 1/2
- 3. SOURCE 1
- 4. GATE 1
- 5. GATE 2

STYLE 5:

- PIN 1. ANODE
- 2. EMITTER
- 3. BASE
- 4. COLLECTOR
- 5. CATHODE

STYLE 6:

- PIN 1. EMITTER 2
- 2. BASE 2
- 3. EMITTER 1
- 4. COLLECTOR 1
- 5. COLLECTOR 2/BASE 1

STYLE 7:

- PIN 1. BASE
- 2. EMITTER
- 3. BASE
- 4. COLLECTOR
- 5. COLLECTOR

STYLE 8:

- PIN 1. CATHODE
- 2. COLLECTOR
- 3. N/C
- 4. BASE
- 5. EMITTER

STYLE 9:

- PIN 1. ANODE
- 2. CATHODE
- 3. ANODE
- 4. ANODE
- 5. ANODE

| | | |
|-------------------------|----------------------------------|--|
| DOCUMENT NUMBER: | 98AON11127D | Electronic versions are uncontrolled except when accessed directly from the Document Repository. Printed versions are uncontrolled except when stamped "CONTROLLED COPY" in red. |
| STATUS: | ON SEMICONDUCTOR STANDARD | |
| NEW STANDARD: | | |
| DESCRIPTION: | SOT-553, 5 LEAD | PAGE 1 OF 2 |

ON Semiconductor and  are trademarks of Semiconductor Components Industries, LLC dba ON Semiconductor or its subsidiaries in the United States and/or other countries. ON Semiconductor owns the rights to a number of patents, trademarks, copyrights, trade secrets, and other intellectual property. A listing of ON Semiconductor's product/patent coverage may be accessed at www.onsemi.com/site/pdf/Patent-Marking.pdf. ON Semiconductor reserves the right to make changes without further notice to any products herein. ON Semiconductor makes no warranty, representation or guarantee regarding the suitability of its products for any particular purpose, nor does ON Semiconductor assume any liability arising out of the application or use of any product or circuit, and specifically disclaims any and all liability, including without limitation special, consequential or incidental damages. Buyer is responsible for its products and applications using ON Semiconductor products, including compliance with all laws, regulations and safety requirements or standards, regardless of any support or applications information provided by ON Semiconductor. "Typical" parameters which may be provided in ON Semiconductor data sheets and/or specifications can and do vary in different applications and actual performance may vary over time. All operating parameters, including "Typicals" must be validated for each customer application by customer's technical experts. ON Semiconductor does not convey any license under its patent rights nor the rights of others. ON Semiconductor products are not designed, intended, or authorized for use as a critical component in life support systems or any FDA Class 3 medical devices or medical devices with a same or similar classification in a foreign jurisdiction or any devices intended for implantation in the human body. Should Buyer purchase or use ON Semiconductor products for any such unintended or unauthorized application, Buyer shall indemnify and hold ON Semiconductor and its officers, employees, subsidiaries, affiliates, and distributors harmless against all claims, costs, damages, and expenses, and reasonable attorney fees arising out of, directly or indirectly, any claim of personal injury or death associated with such unintended or unauthorized use, even if such claim alleges that ON Semiconductor was negligent regarding the design or manufacture of the part. ON Semiconductor is an Equal Opportunity/Affirmative Action Employer. This literature is subject to all applicable copyright laws and is not for resale in any manner.

PUBLICATION ORDERING INFORMATION

LITERATURE FULFILLMENT:

Email Requests to: orderlit@onsemi.com

ON Semiconductor Website: www.onsemi.com

TECHNICAL SUPPORT

North American Technical Support:
Voice Mail: 1 800-282-9855 Toll Free USA/Canada
Phone: 011 421 33 790 2910

Europe, Middle East and Africa Technical Support:

Phone: 00421 33 790 2910

For additional information, please contact your local Sales Representative