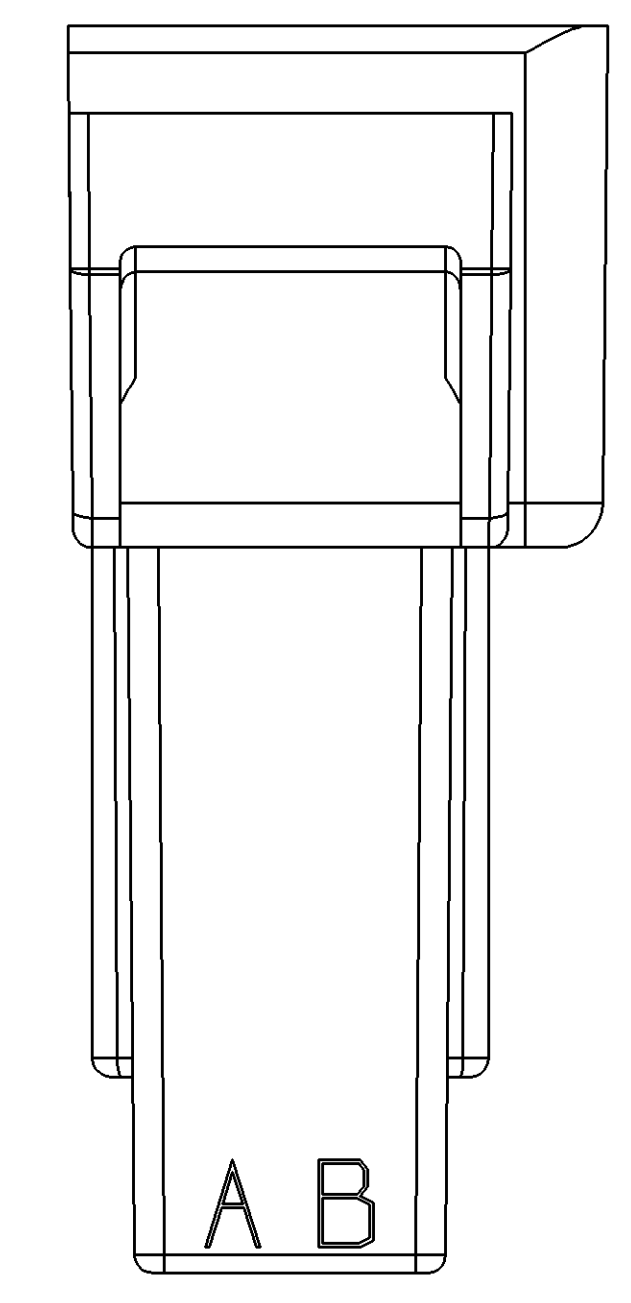
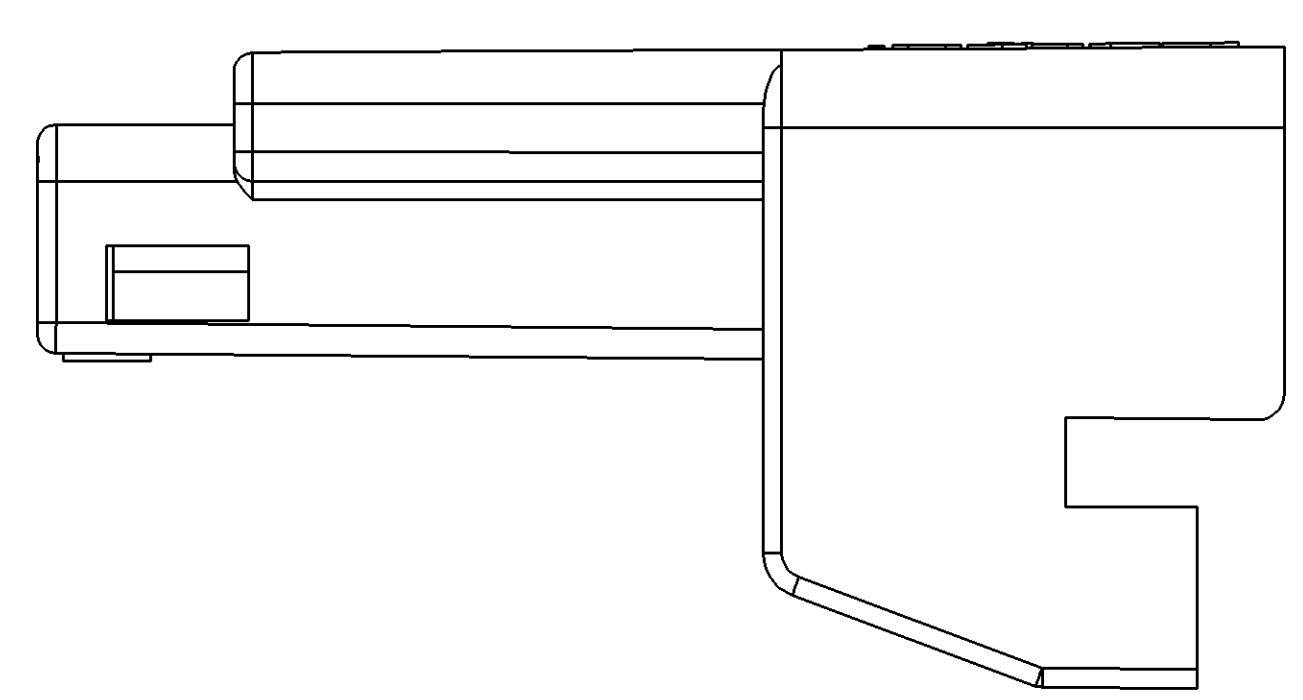
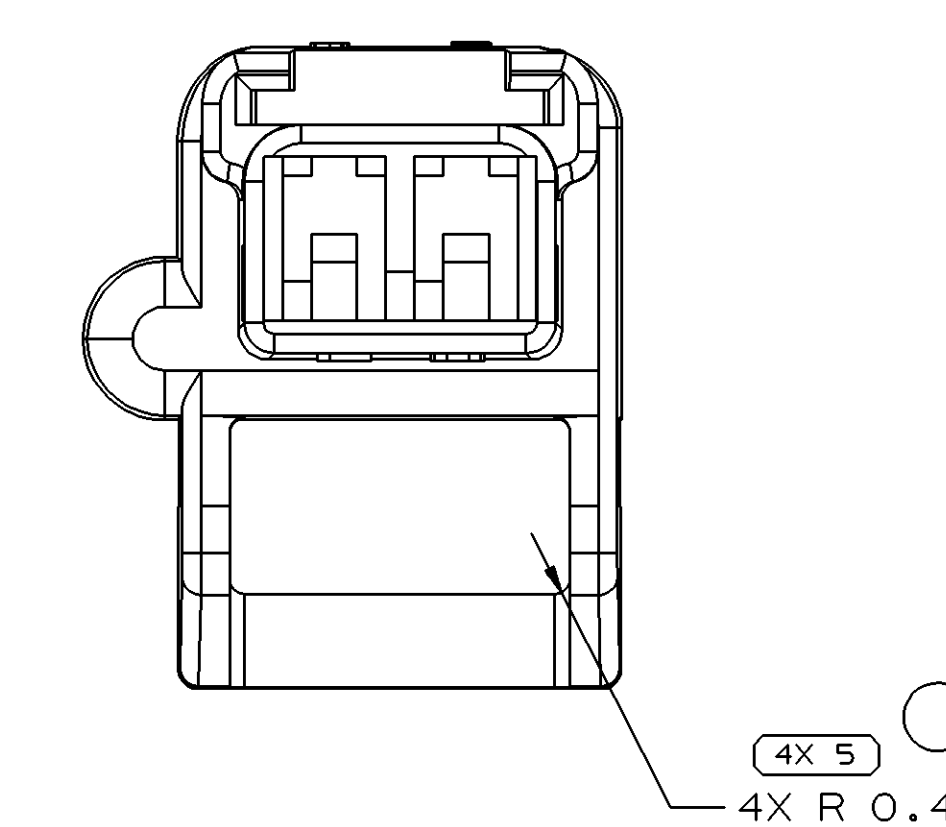
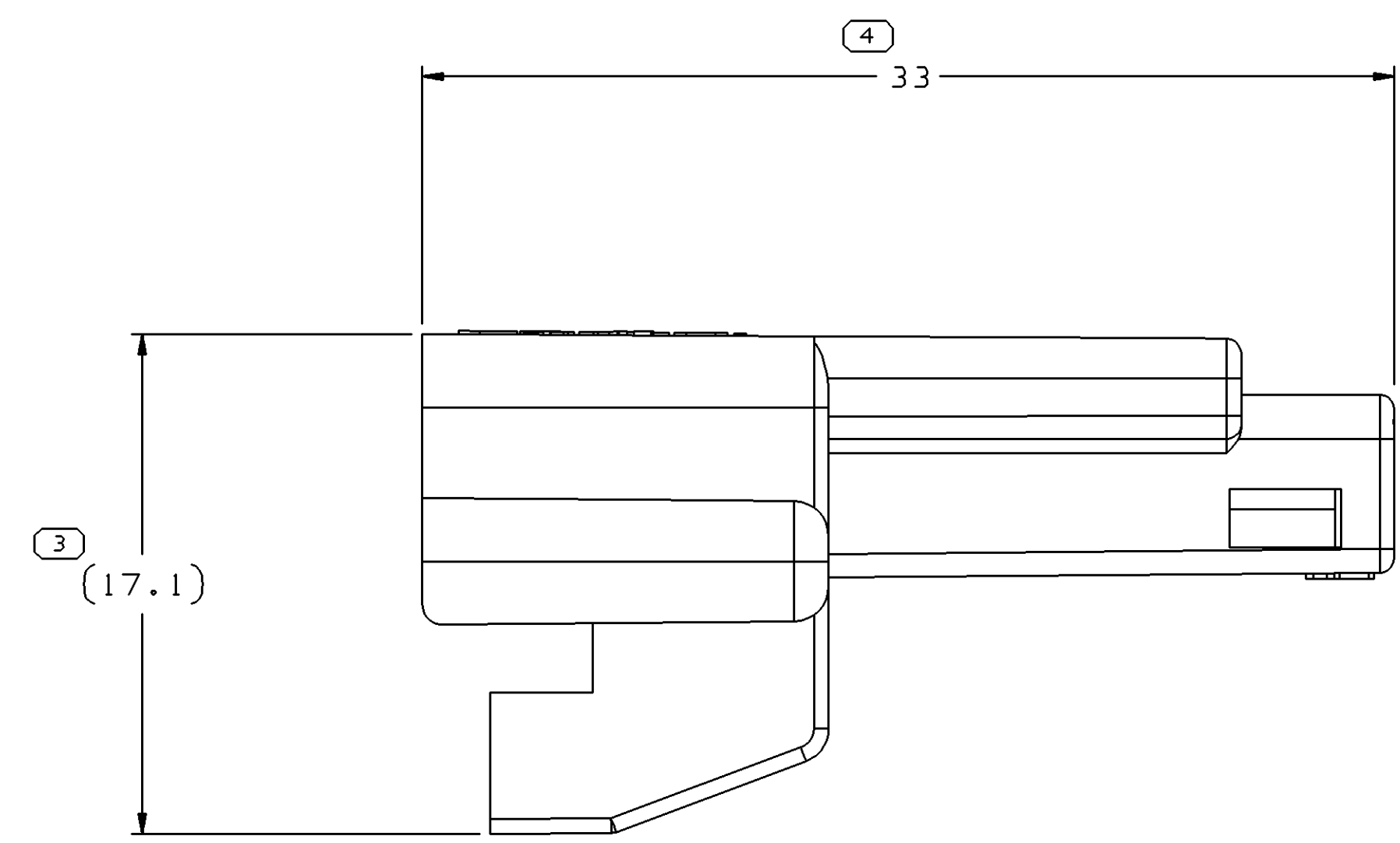
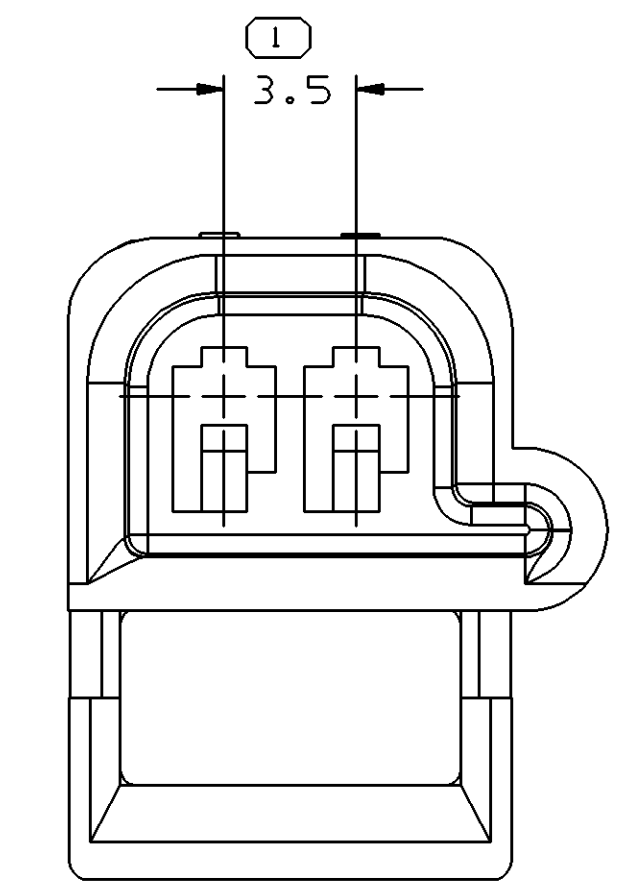
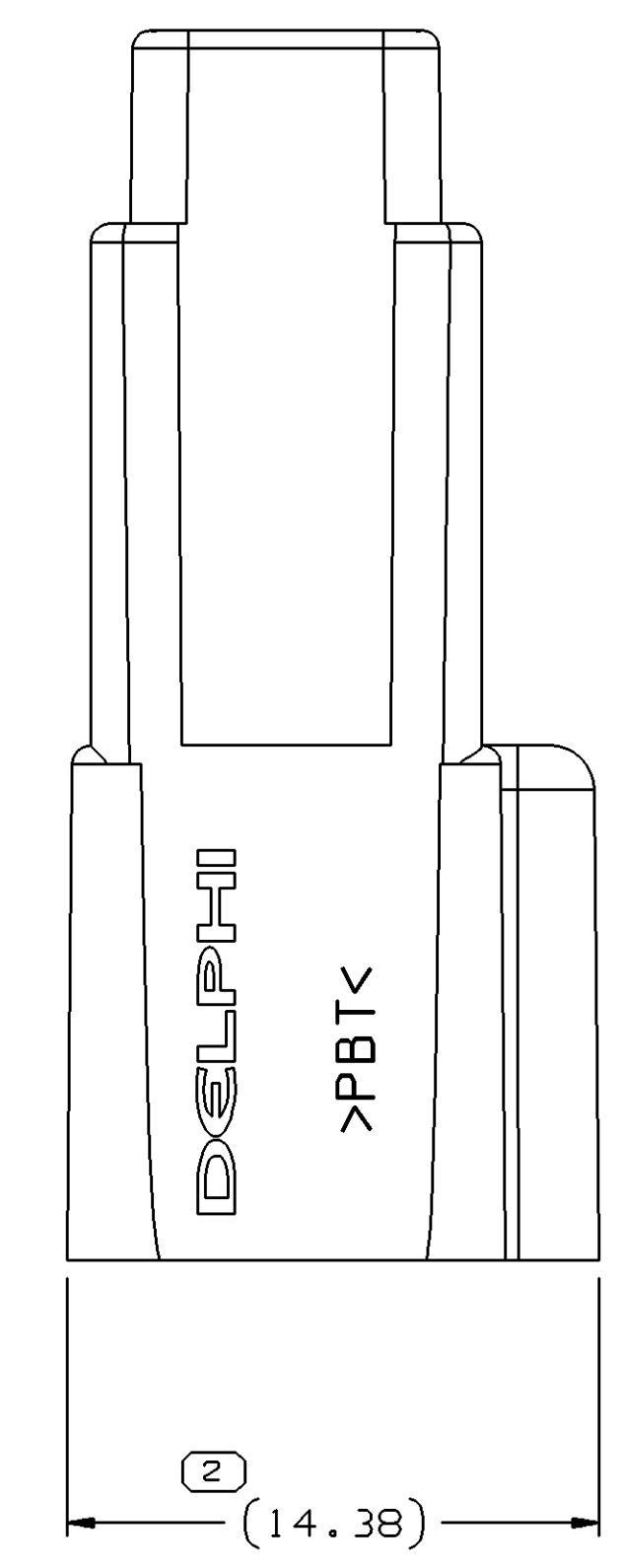


SYMBOL DEFINITION		TOTAL NO OF INSPECTIONS REQUIRED		MISSING SYMBOLS	
A DIMENSION WITHOUT AN INSPECTION REPORT SYMBOL DOES NOT REQUIRE INSPECTION. IT MAY BE CONTROLLED ON THE INDIVIDUAL COMPONENT DRAWING.		8		NO MISSING SYMBOL NUMBER	
		5		LAST NO. USED	

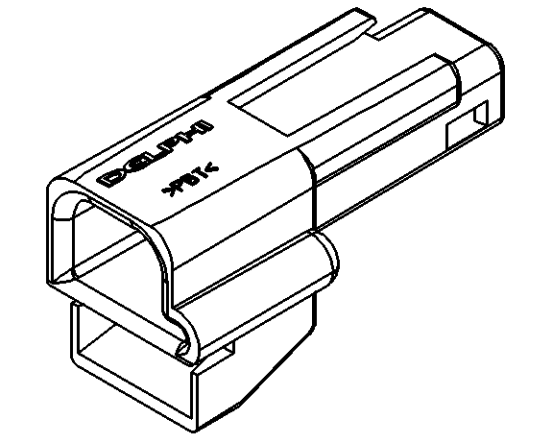
DWO STATUS					REVISION HISTORY			AUTH	DR	APVD	APVD	
DATE	STG	REV	N/P	CHO	ZONE							
02AP03	R	B2	-	-		REDRAWN TO PD. 33 WAS 1331 AND REVISED MAT'L SPEC			238787	RH	RH	ET
07JA05	R	03	-	-		REVISED RADIUS ON INSIDE OF LOCK FEATURE			252625	JFB	JVM	BDG



NOTES

- UNLESS OTHERWISE SPECIFIED AND/OR INDICATED: DIMENSIONS ARE TO FACE OF VIEW SHOWN AND AUTOMATICALLY ROUNDED BY COMPUTER FOR INSPECTION (SEE MATH MODEL FOR PRECISE DIMENSIONS). FOR ALL OTHER DIMENSIONS NOT SHOWN BUT REQUIRED FOR TOOL BUILD, SEE MATH MODEL FOR PRECISE TOOL PATH DATA.
- MATERIAL RECYCLING CODE >PBT< PER SAE J1344. (11X10,1) RAISED CHARACTERS AS SHOWN TO BE LOCATED ON ANY EXTERIOR SURFACE. OPTIONAL CONSTRUCTION TO BE NO MATERIAL RECYCLING CODE.
- MATING COMPONENTS OR EQUIVALENT: CONNECTOR 12064867
- THIS PART ACCEPTS THE FOLLOWING COMPONENTS OR EQUIVALENT: TERMINAL 12040993
MAX INSULATION CRIMP MUST BE LESS THAN 3 HIGH AND 2.6 WIDE.
SECONDARY TERMINAL LOCK 12047665
- (11X10,1) RAISED DELPHI CORPORATE BRAND TO BE LOCATED ON ANY EXTERIOR SURFACE, PREFERABLY VISIBLE AT FINAL ASSEMBLY. OPTIONAL CONSTRUCTION TO BE "PED" OR NO LOGO.
- THIS CONNECTOR WILL PASS THROUGH A 21 DIA. MIN. HOLE.

VIEW SCALE DOES NOT REFLECT ACTUAL PART SIZE



DIMENSIONAL RANGE (MM)		CHART		ET	
FROM	TO	> 70	> 100	> 150	> 200
0	20	0.1	0.15	0.2	0.25
20	30	0.15	0.2	0.25	0.3
30	70	0.2	0.3	0.4	0.5
70	100	0.3	0.4	0.5	0.6
100	150	0.4	0.5	0.6	0.8
150	200	0.5	0.6	0.8	1.0
200	250	0.6	0.8	1.0	1.2
250	300	0.8	1.0	1.2	1.5
300	400	1.0	1.2	1.5	2.0

DWO TYPE		PART DRAWING	
STYLE		DISTR CODE	D
VOLUME (CM ³)	1.770		

UNLESS OTHERWISE SPECIFIED
THIS DOCUMENT IS IN ACCORDANCE WITH ASME Y14.5M-1994 AS AMENDED BY THE 2003 DIMENSIONING AND TOLERANCING ADDENDUM - 1997. ALL GEOMETRIC TOLERANCES AND RELATED DATUM APPLY TO ALL FEATURES UNLESS OTHERWISE SPECIFIED. DIMENSIONS ARE TO FACE UNLESS OTHERWISE SPECIFIED. DIMENSIONS ARE IN MILLIMETERS.

DATE	DR	APVD
27NOB05	E. MIZER	F. HESTON
16JAB6	W. CROSS	R. PETROSKY
20JAB6		

DRAWING NAME: CONN 2 M M/P 150 NAT
DRAWING NUMBER: 12064868

DELPHI
DELPHI PACKARD ELECTRIC SYSTEMS
WARREN, OH

MATERIAL: M4695001 PBT NAT

SIZE: AO 5:1
SCALE: 1 OF 1
FRAME NO: 1 OF 1
SHEET NO: 1 OF 1
REV: R 03

Mouser Electronics

Authorized Distributor

Click to View Pricing, Inventory, Delivery & Lifecycle Information:

[Aptiv:](#)
[12064868](#)