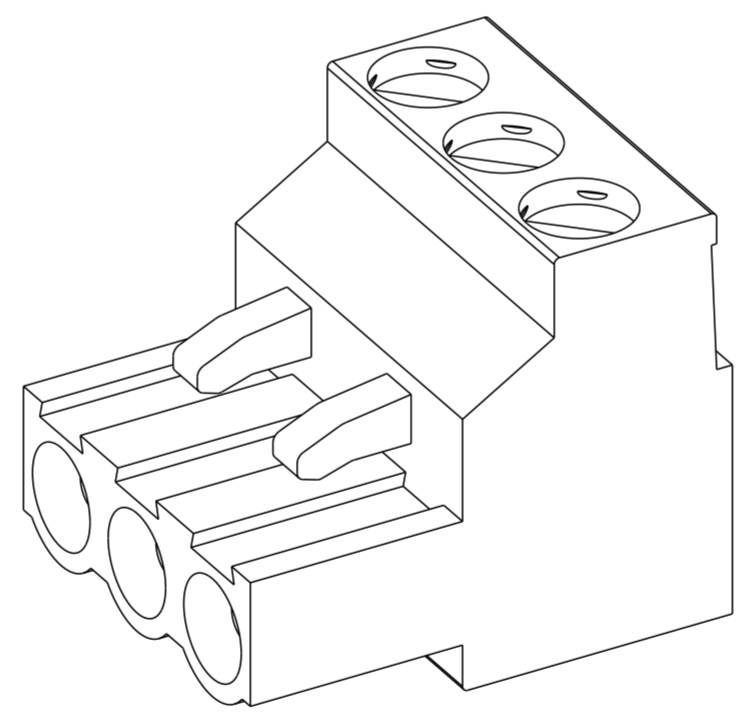
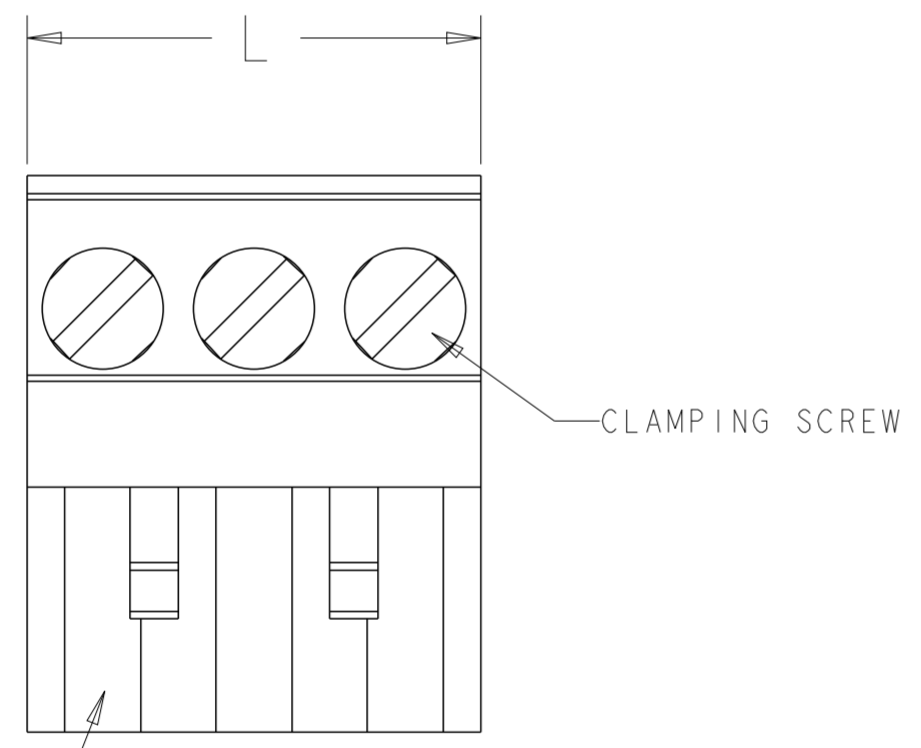
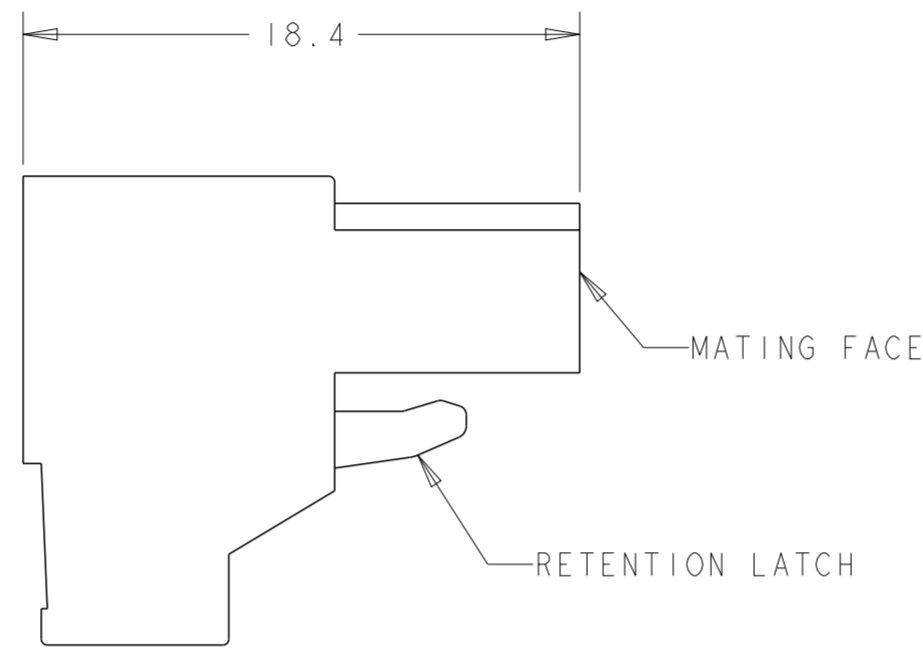
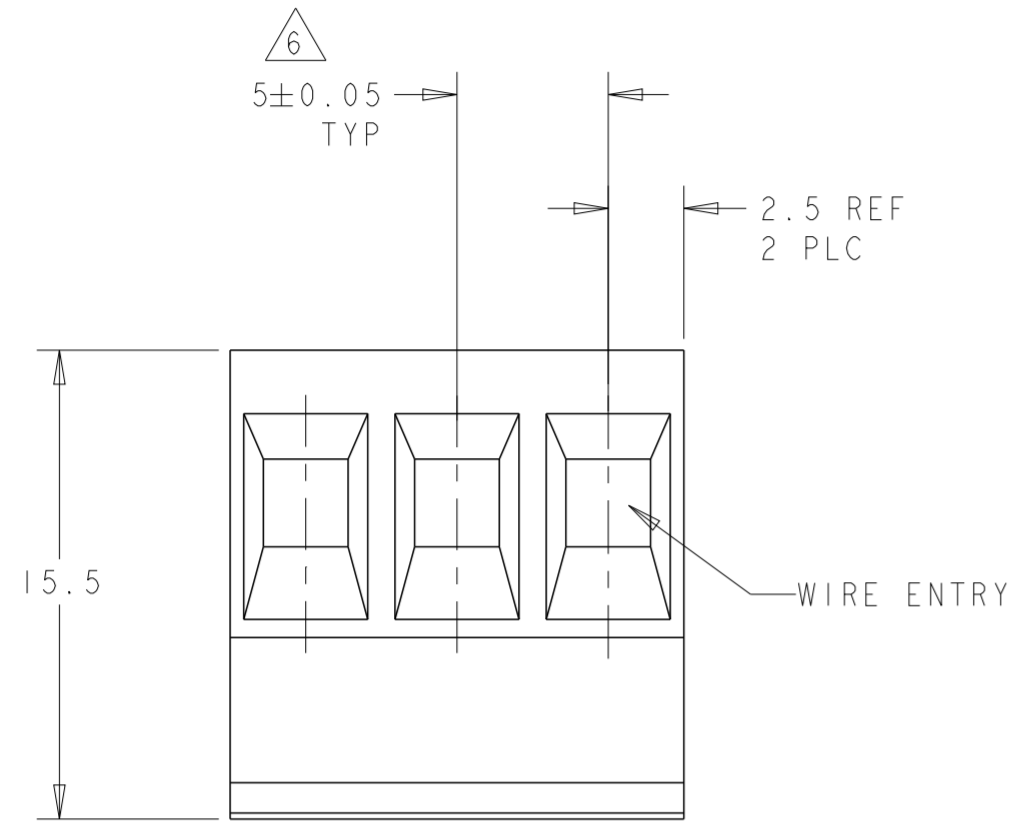


THIS DRAWING IS UNPUBLISHED. RELEASED FOR PUBLICATION 20  
 © COPYRIGHT 20 BY - ALL RIGHTS RESERVED.

| LOC |     | DIST                      |  | REVISIONS |     |      |  |
|-----|-----|---------------------------|--|-----------|-----|------|--|
| P   | LTR | DESCRIPTION               |  | DATE      | DWN | APVD |  |
|     | F11 | REVISED PER ECO-13-007522 |  | 03MAY2013 | KH  | MB   |  |



|    |     |   |   |               |        |    |            |
|----|-----|---|---|---------------|--------|----|------------|
| 13 | TIN | 7 | 9 | MARK 4 TO 1   | 20.00  | 4  | 5-796640-4 |
| 13 | TIN | 7 | 9 | MARK 3 TO 1   | 15.00  | 3  | 5-796640-3 |
| 13 | TIN | 7 | 9 | MARK 1 TO 3   | 15.00  | 3  | 5-796640-2 |
| 13 | TIN | 7 | 9 | MARK 1 TO 3   | 15.00  | 3  | 5-796640-1 |
| 13 | TIN | 7 | 9 | MARK 1 TO 4   | 20.00  | 4  | 5-796640-0 |
| 13 | TIN | 7 | 9 | MARK 15 TO 28 | 70.00  | 14 | 4-796640-9 |
| 13 | TIN | 7 | 9 | MARK 13 TO 24 | 60.00  | 12 | 4-796640-8 |
| 13 | TIN | 7 | 9 | MARK 1 TO 14  | 70.00  | 14 | 4-796640-7 |
| 13 | TIN | 8 | 9 | MARK 1 TO 12  | 60.00  | 12 | 4-796640-6 |
| 13 | TIN | 8 | 9 | MARK 1 TO 7   | 35.00  | 7  | 4-796640-5 |
| 13 | TIN | 8 | 9 | MARK 1 TO 5   | 25.00  | 5  | 4-796640-4 |
|    | TIN | 8 | 9 | MARK 11 TO 15 | 25.00  | 5  | 4-796640-3 |
|    | TIN | - | - | DETAIL S      | 35.00  | 7  | 4-796640-2 |
|    | TIN | 7 | 9 | MARK 1 TO 3   | 15.00  | 3  | 4-796640-1 |
|    | TIN | - | - | DETAIL P      | 20.00  | 4  | 3-796640-9 |
|    | TIN | 7 | 9 | MARK 1 TO 8   | 40.00  | 8  | 3-796640-8 |
|    | TIN | 7 | 9 | MARK 37 TO 54 | 90.00  | 18 | 3-796640-7 |
|    | TIN | 7 | 9 | MARK 19 TO 36 | 90.00  | 18 | 3-796640-6 |
|    | TIN | 7 | 9 | MARK 1 TO 18  | 90.00  | 18 | 3-796640-5 |
|    | TIN | 8 | 9 | MARK 1 TO 10  | 50.00  | 10 | 3-796640-4 |
|    | TIN | 8 | 9 | MARK 1 TO 8   | 40.00  | 8  | 3-796640-3 |
|    | TIN | 7 | - | DETAIL N      | 30.00  | 6  | 3-796640-0 |
|    | TIN | 7 | 9 | MARK 1 TO 6   | 30.00  | 6  | 2-796640-9 |
|    | TIN | - | - | -             | 125.00 | 25 | 2-796640-5 |
|    | TIN | - | - | -             | 120.00 | 24 | 2-796640-4 |
|    | TIN | - | - | -             | 115.00 | 23 | 2-796640-3 |
|    | TIN | - | - | -             | 110.00 | 22 | 2-796640-2 |
|    | TIN | - | - | -             | 105.00 | 21 | 2-796640-1 |
|    | TIN | - | - | -             | 100.00 | 20 | 2-796640-0 |
|    | TIN | - | - | -             | 95.00  | 19 | 1-796640-9 |
|    | TIN | - | - | -             | 90.00  | 18 | 1-796640-8 |
|    | TIN | - | - | -             | 85.00  | 17 | 1-796640-7 |
|    | TIN | - | - | -             | 80.00  | 16 | 1-796640-6 |
|    | TIN | - | - | -             | 75.00  | 15 | 1-796640-5 |
|    | TIN | - | - | -             | 70.00  | 14 | 1-796640-4 |
|    | TIN | - | - | -             | 65.00  | 13 | 1-796640-3 |
|    | TIN | - | - | -             | 60.00  | 12 | 1-796640-2 |
|    | TIN | - | - | -             | 55.00  | 11 | 1-796640-1 |
|    | TIN | - | - | -             | 50.00  | 10 | 1-796640-0 |
|    | TIN | - | - | -             | 45.00  | 9  | 796640-9   |
|    | TIN | - | - | -             | 40.00  | 8  | 796640-8   |
|    | TIN | - | - | -             | 35.00  | 7  | 796640-7   |
|    | TIN | - | - | -             | 30.00  | 6  | 796640-6   |
|    | TIN | - | - | -             | 25.00  | 5  | 796640-5   |
|    | TIN | - | - | -             | 20.00  | 4  | 796640-4   |
|    | TIN | - | - | -             | 15.00  | 3  | 796640-3   |
|    | TIN | - | - | -             | 10.00  | 2  | 796640-2   |

| TERMINAL PLATING | MARKING | SPECIAL | L | NO OF POSN | PART NUMBER |
|------------------|---------|---------|---|------------|-------------|
|------------------|---------|---------|---|------------|-------------|

THIS DRAWING IS A CONTROLLED DOCUMENT.

DWN S. WELDON 18OCT2000  
 CHK D. BIEVENOUR 18OCT2000  
 APVD D. BIEVENOUR 18OCT2000

**STE** TE Connectivity

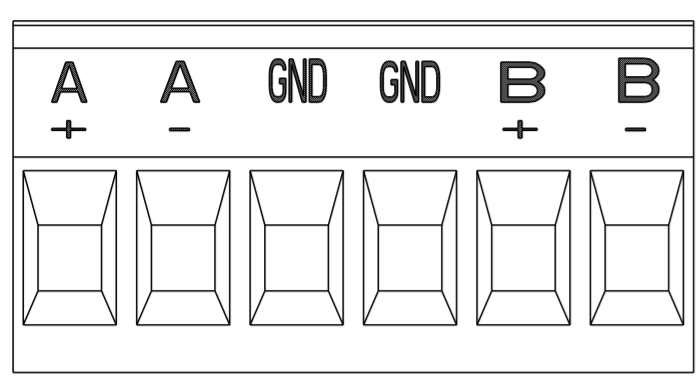
NAME: TERMINAL BLOCK, PLUG, STACKING  
 5.00mm PITCH

SIZE: A2 CAGE CODE: 00779 DRAWING NO: C-796640

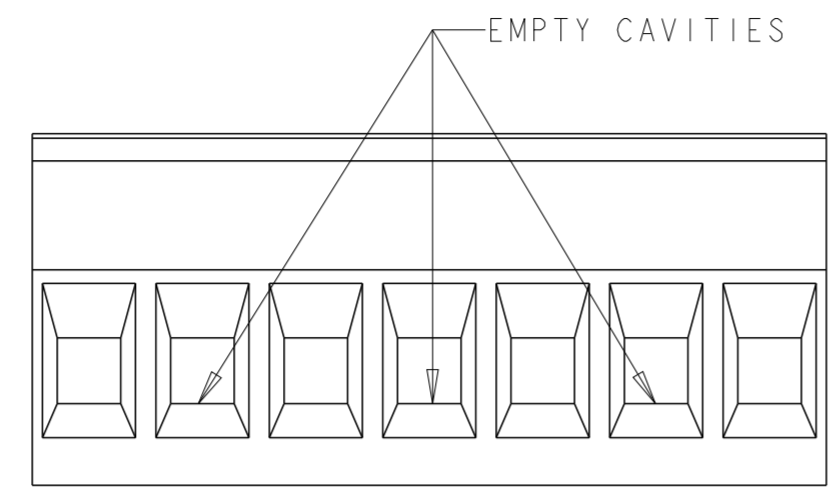
SCALE: 4:1 SHEET 1 OF 2 REV F11

THIS DRAWING IS UNPUBLISHED. RELEASED FOR PUBLICATION 20  
 © COPYRIGHT 20 BY - ALL RIGHTS RESERVED.

| LOC |     | DIST        |      | REVISIONS |      |  |  |
|-----|-----|-------------|------|-----------|------|--|--|
| P   | LTR | DESCRIPTION | DATE | DWN       | APVD |  |  |
| -   | -   | SEE SHEET 1 | -    | -         | -    |  |  |



DETAIL N



DETAIL S

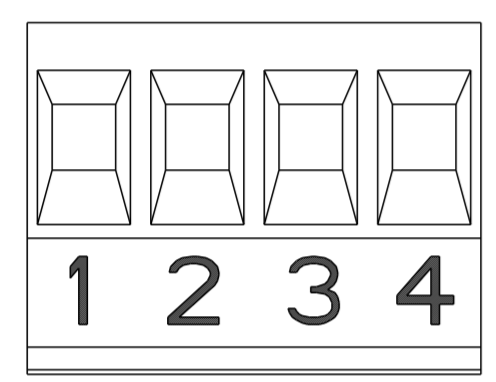
1 MATERIALS AND FINISH:  
 HOUSING: PA 6-6, UL 94-V0, COLOR: GREEN.  
 CLAMP: BRASS, NICKEL PLATED.  
 DOUBLE SIDE CONTACT SPRING: PHOSPHOR BRONZE, PLATING: SEE TABLE.  
 CLAMPING SCREW: M3, BRASS, NICKEL PLATED.

- 2. END-TO-END STACKABLE WITHOUT LOSS OF CENTERLINE SPACING.
- 3. WIRE SIZE RANGE: 12-30 AWG.
- 4. RECOGNIZED UNDER THE COMPONENT PROGRAM OF UNDERWRITERS LABORATORIES INC. FILE N° E60677.
- 5. IMQ CERTIFICATE WITH SURVEILLANCE IN CONFORMITY WITH IEC 998-1/998-2-1.

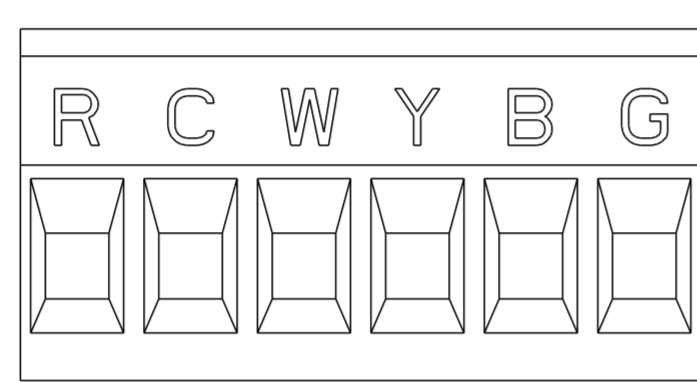
- 6. NOT CUMULATIVE TOLERANCE
- 7. INK MARKING: BLACK COLOR.
- 8. INK MARKING: WHITE COLOR.
- 9. NUMERICAL SEQUENCE: FROM LEFT TO RIGHT, WIRE ENTRY SIDE.
- 10. RETENTION LATCHES REMOVED

11. BUCHANAN LOGO TO APPEAR ON HOUSING, LOCATION OPTIONAL WHERE SPACE PERMITS.

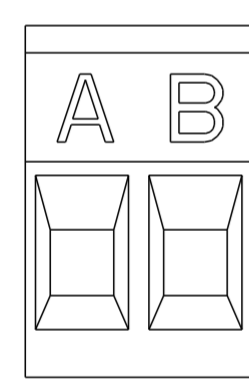
- 12. WIRE ENTRY CLOSED.
- 13. PRELIMINARY - NOT FOR PRODUCTION.
- 14. NUMERICAL SEQUENCE: FROM RIGHT TO LEFT, WIRE ENTRY SIDE.



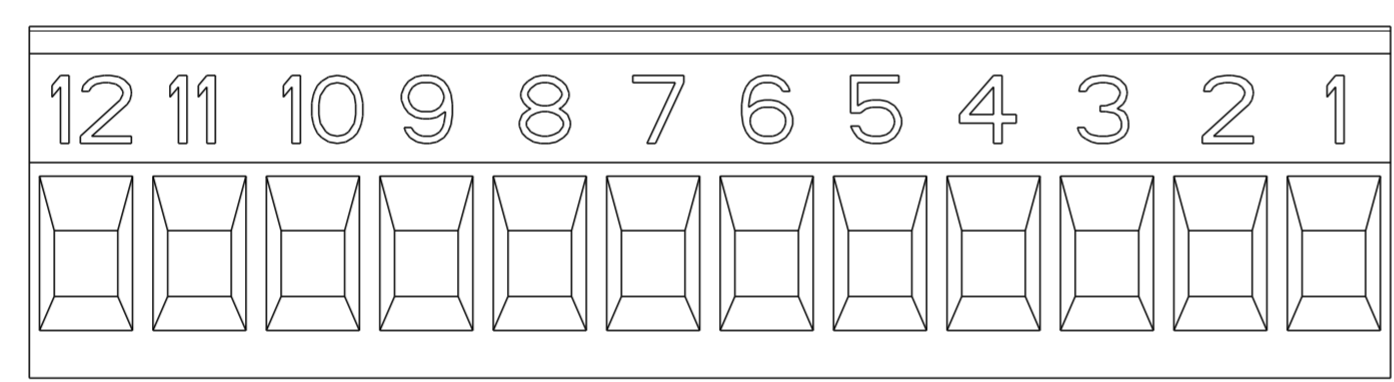
DETAIL P



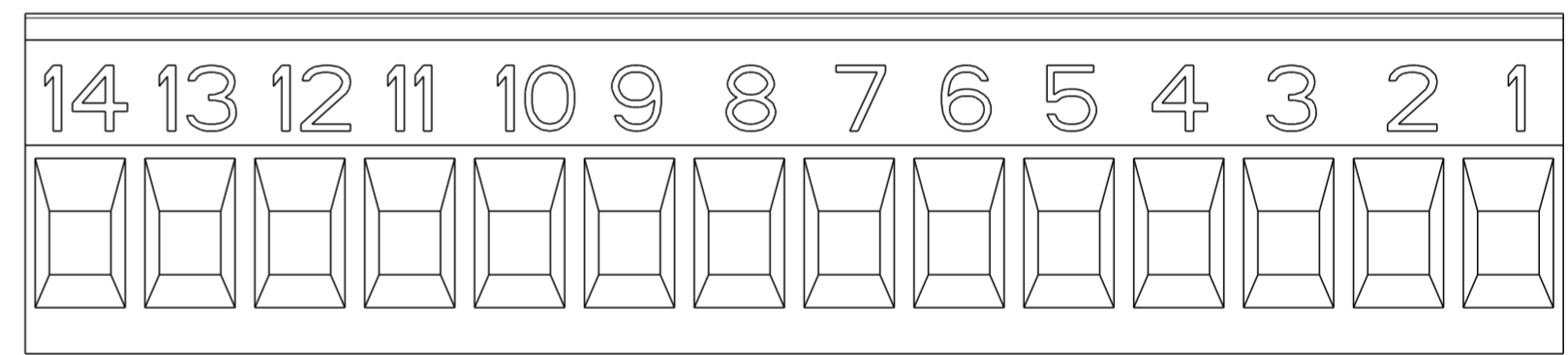
DETAIL T



DETAIL U

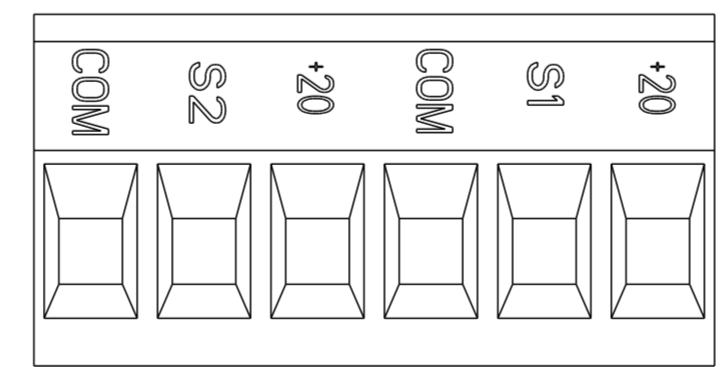


DETAIL V

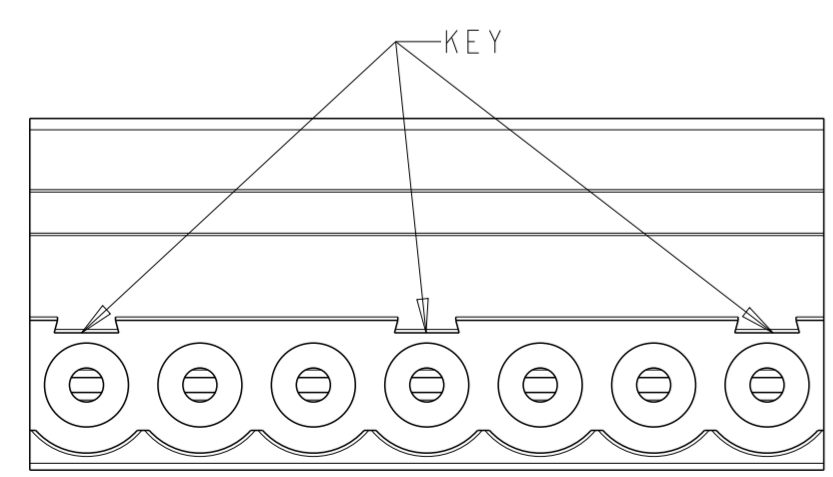


DETAIL X

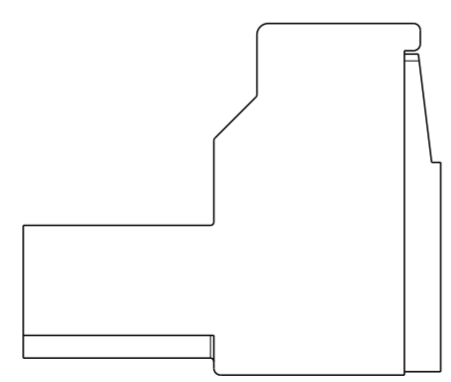
|    |                  |         |                                   |       |            |             |
|----|------------------|---------|-----------------------------------|-------|------------|-------------|
| 13 | TIN              | 7       | DETAIL Y                          | 30.00 | 6          | 6-796640-5  |
| 13 | TIN              | 7 14    | DETAIL X                          | 70.00 | 14         | 6-796640-4  |
| 13 | TIN              | -       | DETAIL W, NO LATCH KEY POSN 1,4,7 | 35.00 | 7          | 6-796640-1  |
| 13 | TIN              | 7 14    | DETAIL V                          | 60.00 | 12         | 6-796640-0  |
| 13 | GOLD FLASH       | -       | -                                 | 35.00 | 7          | 5-796640-9  |
|    | TIN              | 7       | DETAIL U                          | 10.00 | 2          | 5-796640-8  |
|    | TIN              | 7       | DETAIL T                          | 30.00 | 6          | 5-796640-7  |
| 13 | TIN              | 7 9     | MARK 13 TO 24                     | 60.00 | 12         | 5-796640-6  |
| 13 | TIN              | 7 9     | MARK 25 TO 38                     | 70.00 | 14         | 5-796640-5  |
|    | TERMINAL PLATING | MARKING | SPECIAL                           | L     | NO OF POSN | PART NUMBER |



DETAIL Y



DETAIL W



THIS DRAWING IS A CONTROLLED DOCUMENT.

|                |   |  |  |               |
|----------------|---|--|--|---------------|
| DIMENSIONS: mm | TOLERANCES UNLESS OTHERWISE SPECIFIED:<br>0 PLC ±<br>1 PLC ±0.3<br>2 PLC ±0.25<br>3 PLC ±<br>4 PLC ±<br>ANGLES ±2<br>FINISH | DWN S. WELDON 18OCT2000<br>CHK D. BLEVENOUR 18OCT2000<br>APVD D. BLEVENOUR 18OCT2000 | TE Connectivity<br>NAME: TERMINAL BLOCK, PLUG, STACKING 5.00mm PITCH |               |
| MATERIAL       |   | PRODUCT SPEC   | SIZE   | RESTRICTED TO |
|                |   | APPLICATION SPEC   | A200779  |               |
|                |   | WEIGHT   | CAGE CODE  |               |
|                |   | CUSTOMER DRAWING   | DRAWING NO   |               |
|                |   |  | G-796640   |               |
|                |   |  | SCALE 4:1  |               |
|                |   |  | SHEET 2 OF 2   |               |
|                |   |  | REV  |               |

# Mouser Electronics

Authorized Distributor

Click to View Pricing, Inventory, Delivery & Lifecycle Information:

[TE Connectivity:](#)

[796640-2](#)