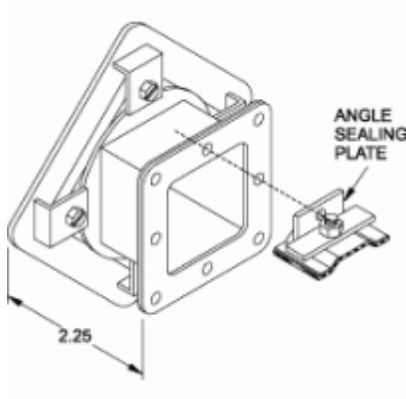




Quality Products. Service Excellence.

Swivel Nipple 1485 V Series



Box Entry Swivel Nipple Part No.	Standard Swivel Nipple Part No.	Size
1485BV1 ¹	1485BV2 ²	2.5 x 2.5
1485CV1 ¹	1485CV2 ²	4 x 4
1485DV1 ¹	1485DV2 ²	6 x 6
1485EV1 ¹	1485EV2 ²	8 x 8

¹ One angle sealing plate included

² Two angle sealing plates included

Data subject to change without notice



© 2020. Hammond Manufacturing Ltd. All rights reserved.

Mouser Electronics

Authorized Distributor

Click to View Pricing, Inventory, Delivery & Lifecycle Information:

[Hammond:](#)

[1485EV2](#) [1485EV1](#) [1485BV2](#) [1485BV1](#) [1485CV2](#) [1485CV1](#) [1485DV2](#) [1485DV1](#)