

THIS DRAWING IS UNPUBLISHED.

RELEASED FOR PUBLICATION

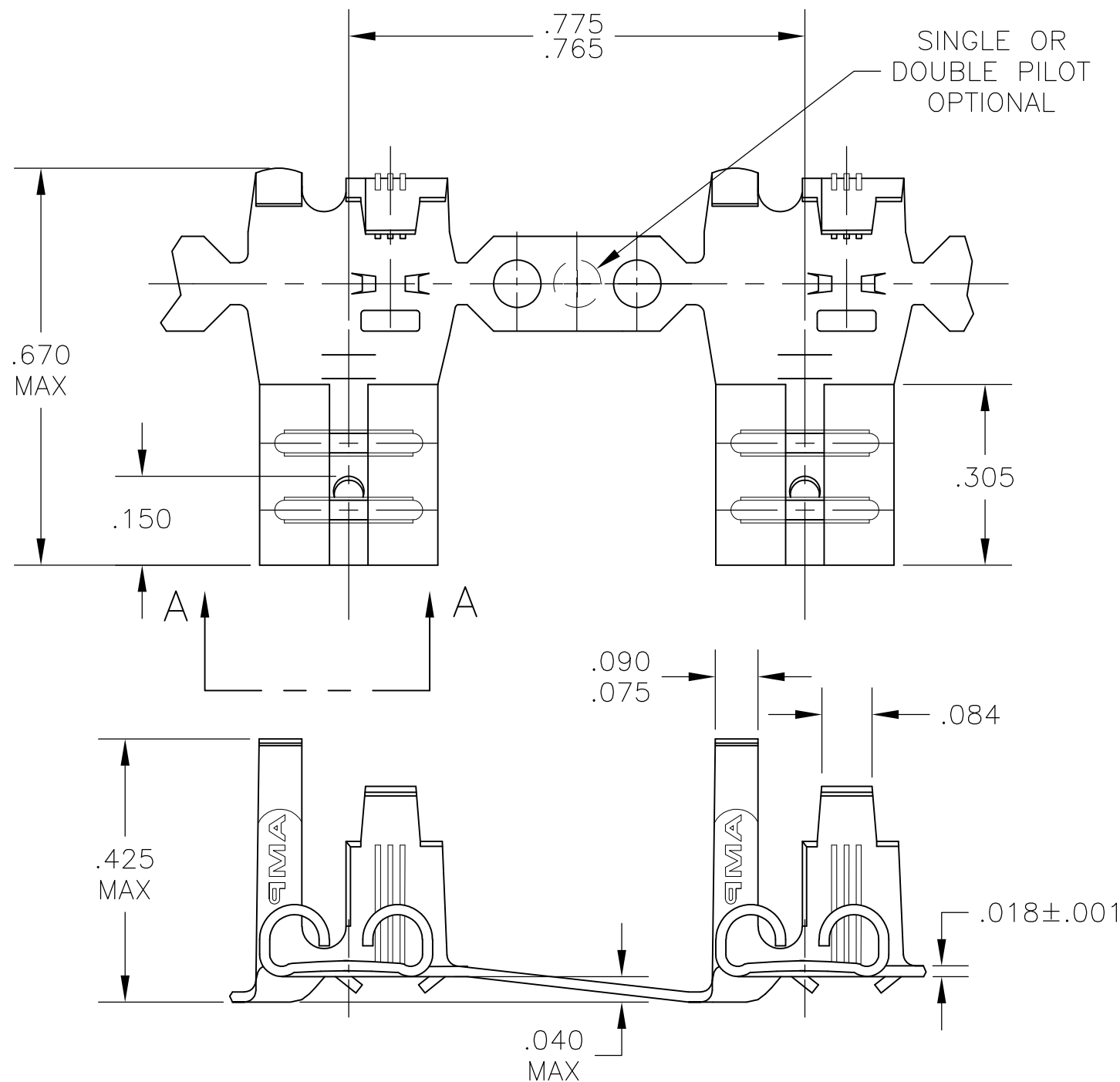
© COPYRIGHT - By -

ALL RIGHTS RESERVED.

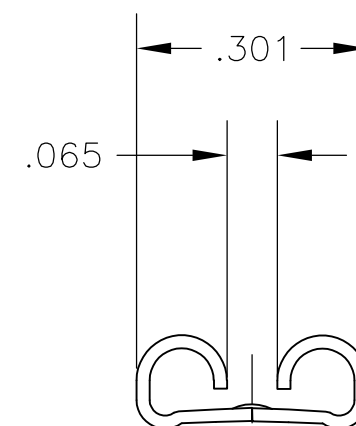
LOC AF DIST 50

REVISIONS

P	LTR	DESCRIPTION	DATE	DWN	APVD
	AA	REVISED PER ECR-12-013445	18OCT12	KH	PD


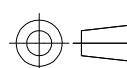


- 1 CONTINUOUS STRIP ON REELS
- 2 MATING TAB THK IS .032±.001.
- 3 WIRE SIZE IS #18-#12 AWG
- 4 INSULATION RANGE IS .110-.210 DIA.



VIEW A-A

NICKEL	#2H STEEL	41531-1
-	BRASS	41531
FINISH	MATERIAL	PART NO.

THIS DRAWING IS A CONTROLLED DOCUMENT.		DWN	JR RUTH	18OCT02	 <b>TE Connectivity</b>					
DIMENSIONS: INCHES		CHK	P DESANTIS	18OCT02				NAME RECEPTACLE, FLAG, FASTON, .250 SERIES		
		APVD	P DESANTIS	18OCT02						
TOLERANCES UNLESS OTHERWISE SPECIFIED:		PRODUCT SPEC		SIZE						
0 PLC ± - 1 PLC ± - 2 PLC ± - 3 PLC ± .015 4 PLC ± - ANGLES ± -		APPLICATION SPEC		CAGE CODE		DRAWING NO	RESTRICTED TO			
MATERIAL SEE TABLE		FINISH SEE TABLE		WEIGHT -		A300779	C-41531			
CUSTOMER DRAWING				SCALE	4:1	SHEET	1 OF 1			
				REV		AA				

# Mouser Electronics

Authorized Distributor

Click to View Pricing, Inventory, Delivery & Lifecycle Information:

[TE Connectivity:](#)

[41531](#)