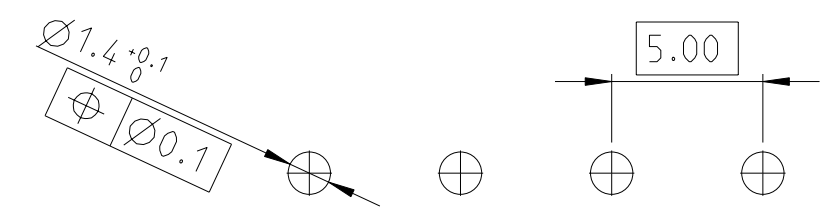
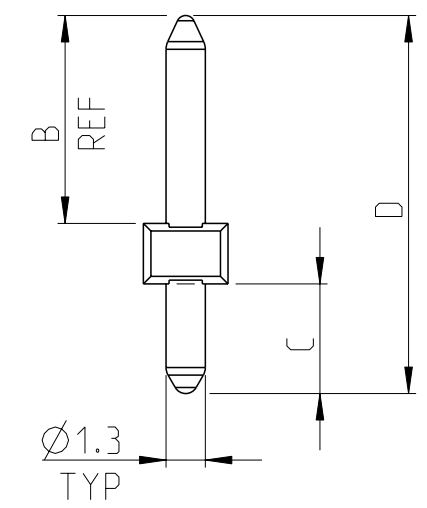
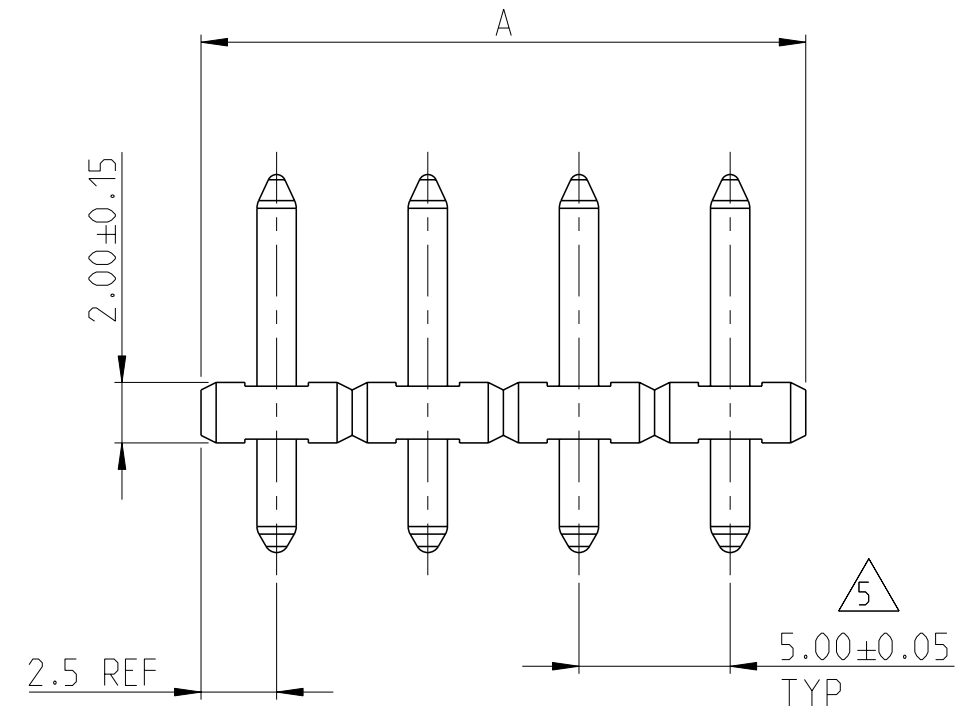
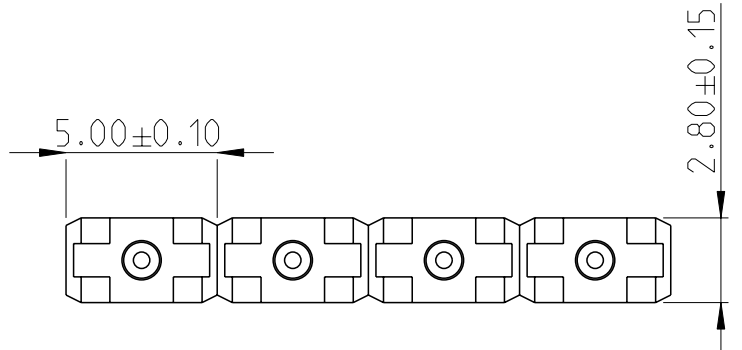


THIS DRAWING IS UNPUBLISHED. RELEASED FOR PUBLICATION 20  
 © COPYRIGHT 20 BY - ALL RIGHTS RESERVED.

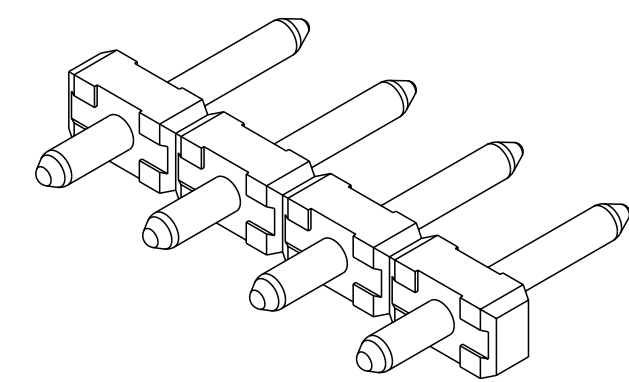
LOC	DIST	REVISIONS					
FT	0	P	LTR	DESCRIPTION	DATE	DWN	APVD
		H5		HOUSING MATERIAL DETAIL CORRECTED	05DEC2014	PS	JK
		H6		CORRECTION IN TABLE	08NOV2016	FP	NG



RECOMMENDED PC BOARD LAYOUT

TERMINAL PLATING	D	C	B	A	NO OF POSN	PART NUMBER					
TIN	20.5	4.5	14	30	6	4-282832-0					
PRELIMINARY	TIN	20.5	3.5	15	20	4	3-282832-9				
PRELIMINARY	TIN	20.5	3.5	15	15	3	3-282832-8				
TIN	16.5	3.5	11	20	4	3-282832-7					
					3	3-282832-6					
					4	3-282832-5					
					3	3-282832-4					
					3	3-282832-3					
					2	3-282832-2					
					GOLD	12.5	3.5	7	15	3	2-282832-7
									25	25	2-282832-6
									24	24	2-282832-5
									23	23	2-282832-4
22	22	2-282832-3									
21	21	2-282832-2									
20	20	2-282832-1									
19	19	2-282832-0									
18	18	1-282832-9									
17	17	1-282832-8									
TIN	16.5	3.5	11	40	8	1-282832-7					
					12	1-282832-6					
					12	1-282832-5					
					12	1-282832-4					
					12	1-282832-3					
					12	1-282832-2					
					12	1-282832-1					
					11	1-282832-0					
					11	282832-9					
					11	282832-8					
TIN	12.5	3.5	7	35	7	282832-7					
					6	282832-6					
					5	282832-5					
					4	282832-4					
					3	282832-3					
					3	282832-2					
					2	282832-1					
					2	282832-0					
					2	282832-9					
					2	282832-8					

- 1 MATERIALS AND FINISH:  
 HOUSING: PA 4T, UL 94-V0, COLOR GREEN  
 TERMINAL: BRASS, PLATING: SEE TABLE.
2. MECHANICAL  
 MAX. INSERTION FORCE PER POLE : 3N  
 MIN. WITHDRAWAL FORCE PER POLE : 1.5N  
 MIN. PC BOARD HOLES DIAMETER : 1.4mm  
 MAX. PC BOARD THICKNESS : 2.4mm
3. ELECTRICAL  
 MAX. VOLTAGE : 300 V  
 MAX CURRENT : 15 A  
 CONTACT RESISTANCE : < 15 m Ohm  
 INSULATION RESISTANCE : > 1000 M Ohm (500V DC)
4. OPERATING TEMPERATURE RANGE: -40°C TO +110°C
- 5 TOLERANCE NOT CUMULATIVE.
6. END-TO-END STACKABLE WITHOUT LOSS OF CENTERLINE SPACING.
7. RECOGNIZED UNDER THE COMPONENT PROGRAM OF UNDERWRITERS LABORATORIES INC. FILE N° E60677.



282832-4 AS SHOWN

THIS DRAWING IS A CONTROLLED DOCUMENT.

DWN: E. ZANOLINI 14 AUG 2001  
 CHK: D. BIEVENOUR 14 AUG 2001  
 APVD: D. BIEVENOUR 14 AUG 2001

TE Connectivity

NAME: TERMINAL BLOCK PIN HEADER UNSHROUDED 5.0 mm PITCH

PRODUCT SPEC: 108-20166  
 APPLICATION SPEC: 114-20079

SIZE: A2 CAGE CODE: 00779 DRAWING NO: C-282832 RESTRICTED TO: -

MATERIAL: 1 TOLERANCES UNLESS OTHERWISE SPECIFIED: 1

CUSTOMER DRAWING SCALE: 4:1 SHEET: 1 OF 1 REV: H6

# Mouser Electronics

Authorized Distributor

Click to View Pricing, Inventory, Delivery & Lifecycle Information:

[TE Connectivity:](#)

[282832-2](#)