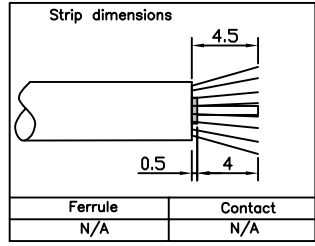
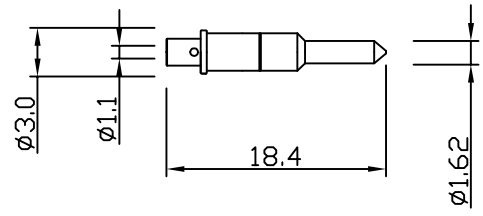
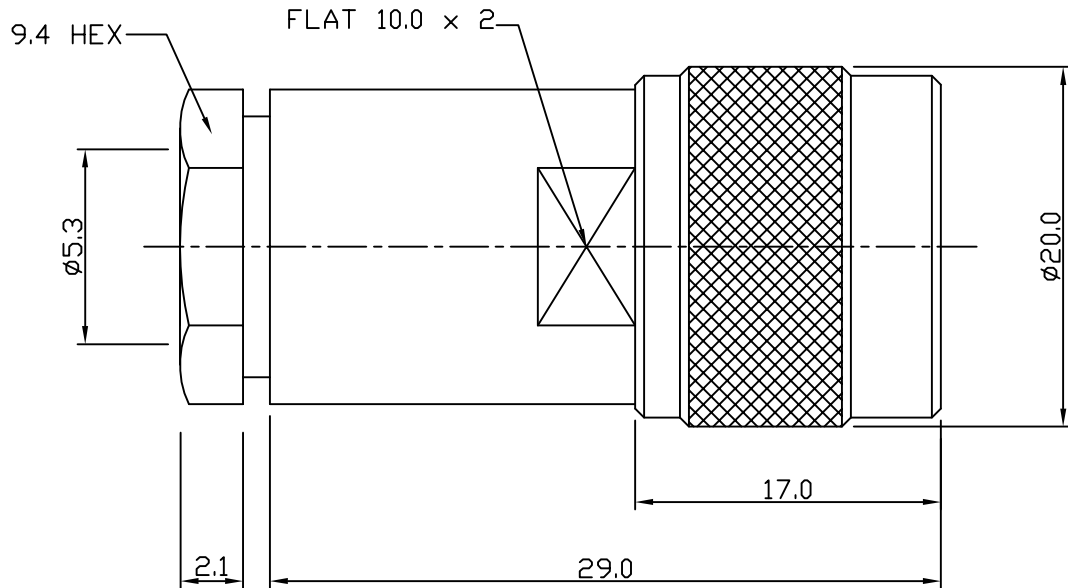


RoHS COMPLIANT



Electrical Characteristics

| | |
|-------------------------------------|-----------------------------|
| Nominal Impedance: | 50 ohms |
| Frequency Range: | DC to 11 GHz |
| VSWR: | 1.35:1 maximum |
| Insertion Loss: | 0.17 dB max |
| Operating Voltage (rms): | 1500 V maximum at sea level |
| Dielectric Withstand Voltage (rms): | 2500 V maximum at sea level |
| Contact Resistance: | 1.0 milliohms maximum |
| Insulation Resistance: | 5000 megohms minimum |

Mechanical Characteristics

| | |
|-----------------------|------------------------|
| Mating Cycles: | 500 cycles minimum |
| Interface Dimensions: | Conform to MIL-C-39012 |

Environmental Characteristics

| | |
|--------------------|------------------|
| Temperature Range: | -55 °C to +85 °C |
|--------------------|------------------|

| PART | DESCRIPTION | |
|------|-------------|----------------------|
| 1 | Clamp Nut | Brass, nickel plated |
| 2 | Washer | Steel, nickel plated |
| 3 | Gasket | Rubber |
| 4 | Taper Clamp | Brass, nickel plated |
| 5 | Body | Brass, nickel plated |
| 6 | Dielectric | Teflon |
| 7 | Contact | Brass, gold plated |

| DESCRIPTION OF REVISION | APPVD | ISS | DATE |
|--------------------------|-------|-----|-------------|
| Strip Dimensions Updated | JC | 5 | 06 April 11 |
| Dimensions Updated | JT | 4 | 04 Mar 10 |
| Update Dims | MS | 3 | 7 Jan 09 |
| Amendment | BT | 2 | 24 Sept 08 |
| First Issue | BT | 1 | 11 Nov 07 |

For stripping and assembly instructions see Drawing Number: VAIN1205



Cinch Connectivity Solutions
 7-13 Russel Way,
 Widford Industrial Estate,
 Chelmsford, Essex,
 CM1 3AA, UK.
 Tel: +44 (0) 1245 359515
 Fax: +44 (0) 1245 358938

SCALE: Not To Scale

DIMENSIONS: mm

TOLERANCES:
 ± 0.2mm unless
 otherwise stated

| | |
|--------------|-----------|
| DRAWN BY: | B Thomas |
| CHECKED BY: | M Spooner |
| APPROVED BY: | M Spooner |
| DATE: | 05 Nov 07 |

TITLE:
N Clamp Plug for RG58

| |
|-----------------------------------|
| PART NUMBER: VNS10-2051 |
| PAGE: 1 of 1 |

Mouser Electronics

Authorized Distributor

Click to View Pricing, Inventory, Delivery & Lifecycle Information:

[Cinch Connectivity Solutions:](#)

[VNS10-2051](#)