

THE INFORMATION CONTAINED HEREIN IS CONSIDERED "PROPRIETARY" TO BEL FUSE INC. AND SHALL NOT BE COPIED, REPRODUCED OR DISCLOSED WITHOUT THE WRITTEN APPROVAL OF BEL FUSE INC.



LED1 POLARITY			LED2 POLARITY		
PIN 13	PIN 14	COLOR	PIN 15	PIN 16	COLOR
-	+	YELLOW	-	+	GREEN
			+	-	ORANGE

ELECTRICAL CHARACTERISTICS @ 25°C

URNS RATIO

TP1	1CT : 1CT ±2%
TP2	1CT : 1CT ±2%
TP3	1CT : 1CT ±2%
TP4	1CT : 1CT ±2%

CL @ 100kHz/100mVRMS

8mA DC BIAS 350µH MIN.

INS. LOSS

0.1MHz TO 1MHz	-1.1 dB MAX
1MHz TO 65MHz	-0.5 dB MAX
65MHz TO 100MHz	-0.8 dB MAX
100MHz TO 125MHz	-1.2 dB MAX

RET. LOSS (MIN)

0.5MHz-40MHz	-18 dB
40MHz-100MHz	-12+20LOG(f/80MHz) dB

CM TO CM REJ

100kHz - 100MHz -30 dB MIN

CM TO DM REJ

100kHz - 100MHz -35 dB MIN

HIPOT (Isolation Voltage):

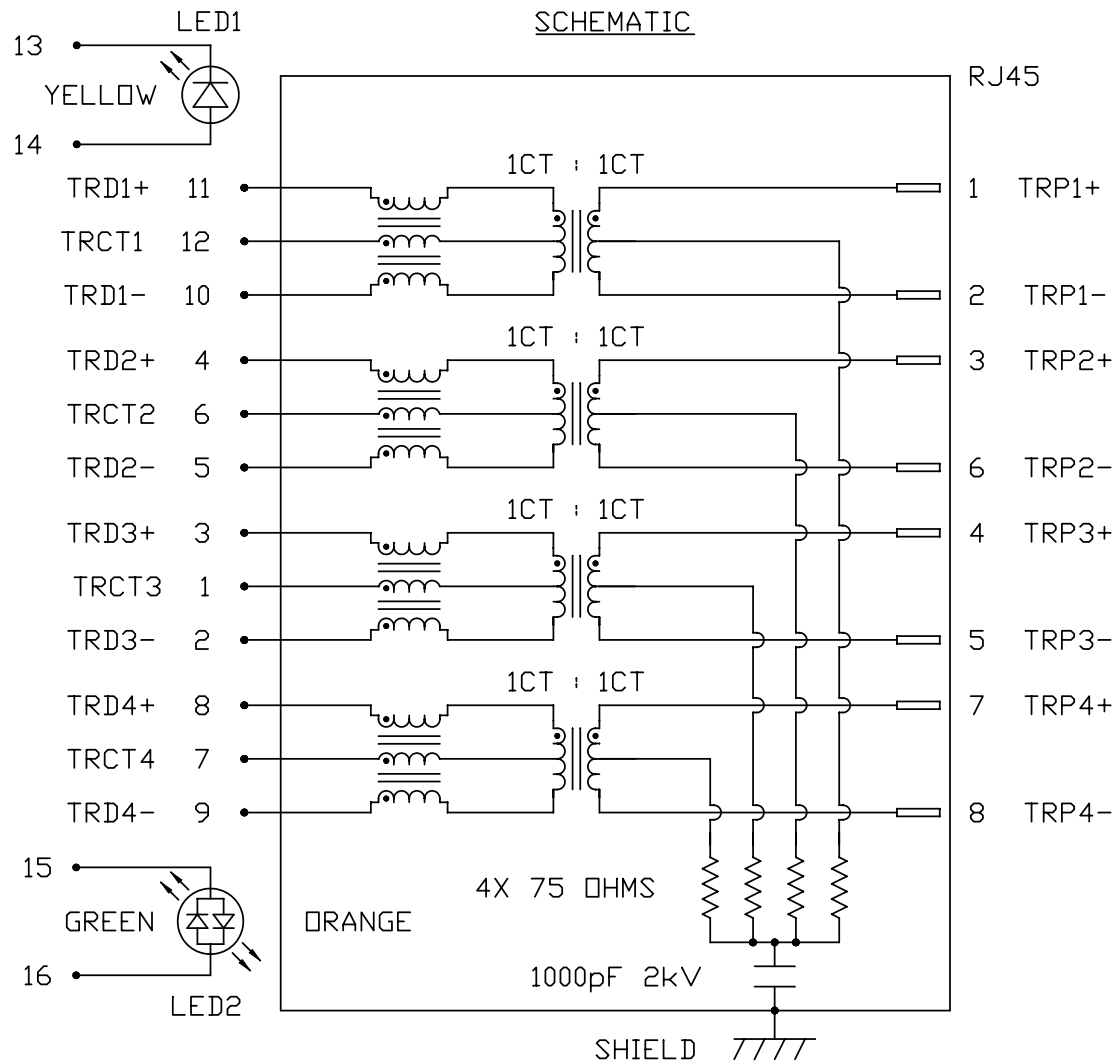
1500 Vrms or 2250VDC

LED 1

VF (FORWARD VOLTAGE)	IF=20mA	YELLOW	2.1V TYP.
λD (DOMINANT WAVELENGTH)	IF=20mA	YELLOW	590nm TYP.

LED 2

VF (FORWARD VOLTAGE)	IF=20mA	GREEN	2.2V TYP.
		ORANGE	2.0V TYP.
λD (DOMINANT WAVELENGTH)	IF=20mA	GREEN	565nm TYP.
		ORANGE	610nm TYP.



ORIGINATED BY	DATE	TITLE
CHOW WANCHUNG	05-28-10	1X4 gigabit MagJack®
DRAWN BY	DATE	(8 cores, Tab Up)
LEE WEIDE	05-28-10	L826-1X4T-43-F

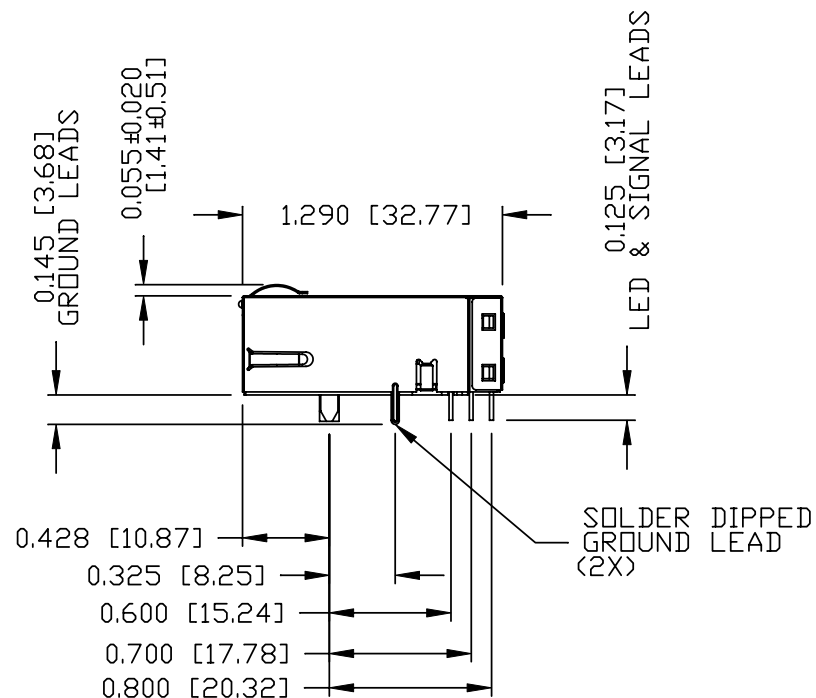
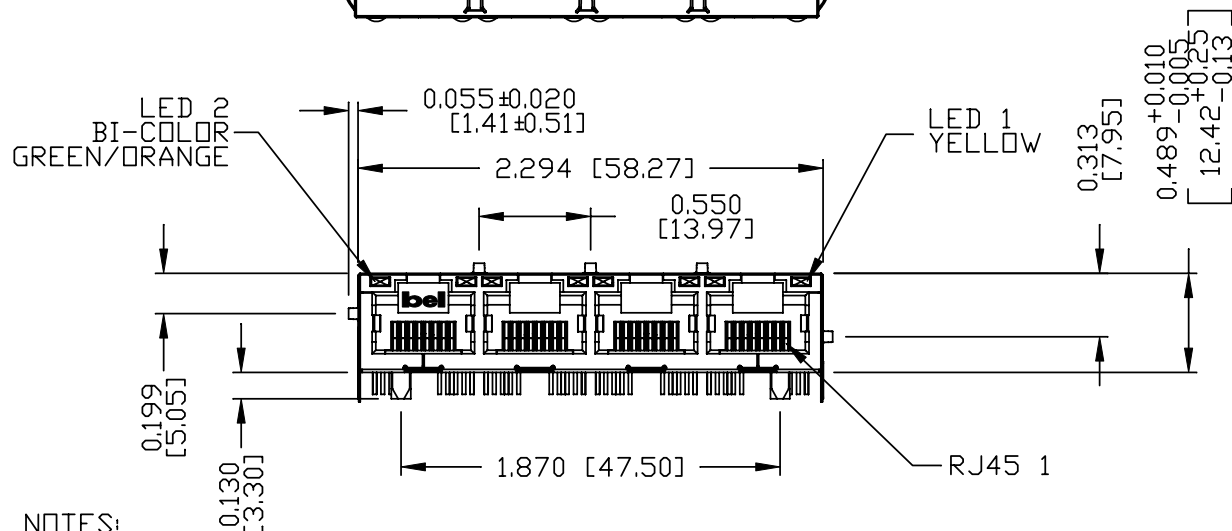
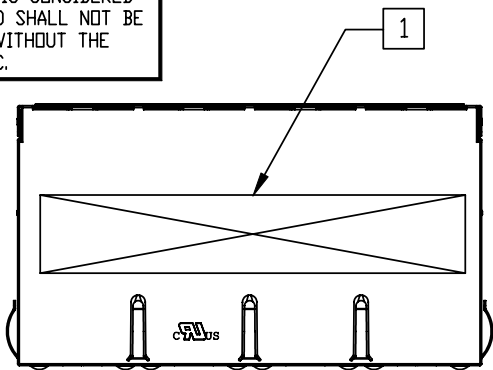
PART NO. / DRAWING NO.	STANDARD DIM. TOL. IN INCH
L8261X4T43-F	.X
FILE NAME	.XX
L8261X4T43-F_C.DWG	.XXX

[] METRIC DIM. AS REFERENCE	REV. : C
UNIT : INCH [mm]	SIZE : A4
SCALE : N/A	PAGE : 2



THE INFORMATION CONTAINED HEREIN IS CONSIDERED "PROPRIETARY" TO BEL FUSE INC. AND SHALL NOT BE COPIED, REPRODUCED OR DISCLOSED WITHOUT THE WRITTEN APPROVAL OF BEL FUSE INC.

RoHS
2002/95/EC



NOTES:

PLASTIC HOUSING: THERMOPLASTIC PBT
 FLAMMABILITY RATING UL 94V-0
 CONTACTS PLATING: 50 MICRO-INCH HARD GOLD PLATING
 PINS: TIN-COATED COPPER WIRE, DIA 0.018 INCH.
 METAL SHIELD: NICKEL PLATED ON COPPER ALLOY.
 (ALL GROUND LEADS ARE SOLDER DIPPING)

1. MARK PART WITH MFG LOGO, MFG NAME, PART NUMBER, DATE CODE AND PATENTED. JACK CAVITY CONFORMS TO FCC RULES AND REGULATIONS.

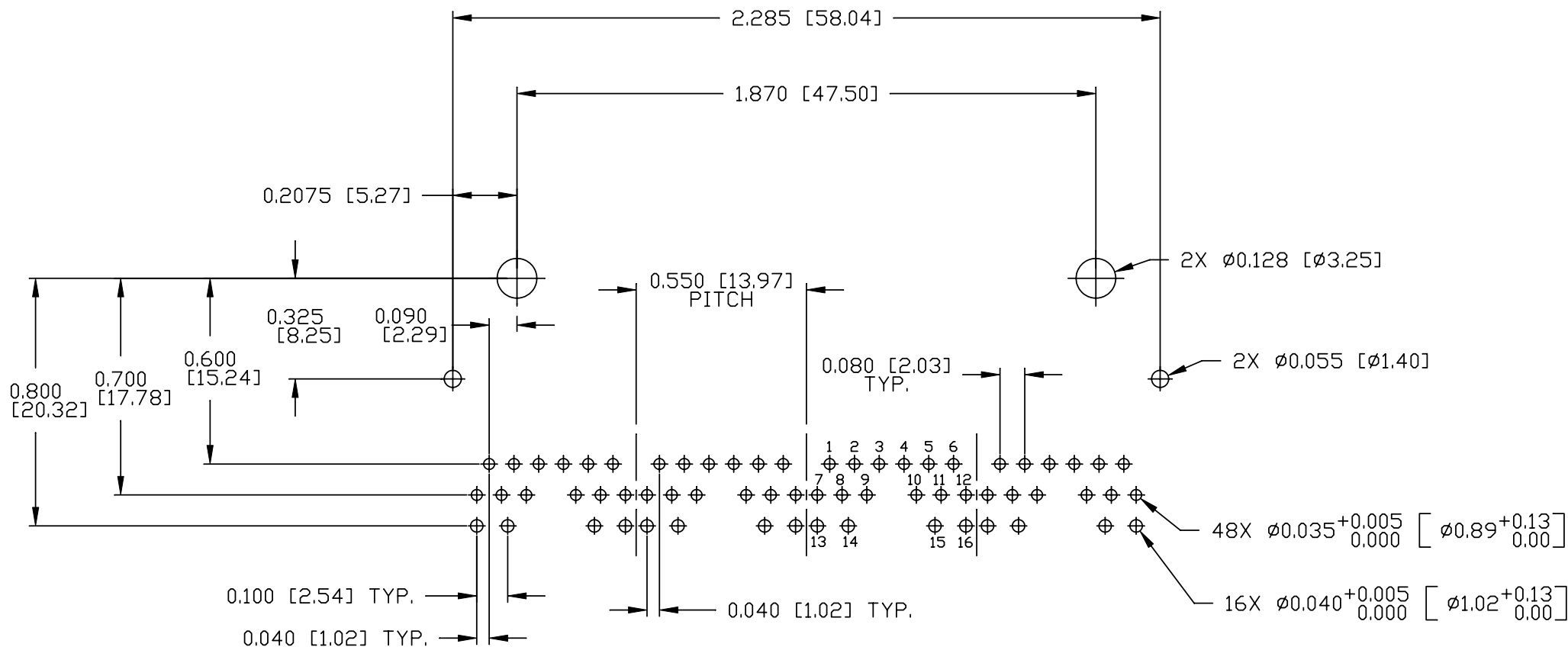
2. THE PRODUCT IS PATENT PRODUCT. THE PATENT NUMBER ARE U.S. PAT. 5,736,910 AND U.S. PAT. 7,123,117.

UL RECOGNIZED - FILE #E196366 AND E169987.
 RoHS COMPLIANCE, PER EU DIRECTIVE 2002/95/EC.

ORIGINATED BY ANTON LIAO	DATE 05-28-10	TITLE 1X4 gigabit MagJack® (8 cores, Tab Up) L826-1X4T-43-F	PART NO. / DRAWING NO. L8261X4T43-F		STANDARD DIM. TOL. IN INCH		[] METRIC DIM. AS REFERENCE		
			FILE NAME L8261X4T43-F_C.DWG		.X		UNIT : INCH [mm]	REV. : C	
DRAWN BY SHAWN FENG	DATE 05-28-10				.XX		SCALE : N/A	SIZE : A4	COMPONENTS FOR A CONNECTED PLANET
					.XXX	±0.010		PAGE : 3	

THE INFORMATION CONTAINED HEREIN IS CONSIDERED "PROPRIETARY" TO BEL FUSE INC. AND SHALL NOT BE COPIED, REPRODUCED OR DISCLOSED WITHOUT THE WRITTEN APPROVAL OF BEL FUSE INC.

RoHS
2002/95/EC



RECOMMENDED PCB FOOTPRINT
(COMPONENT SIDE VIEW)

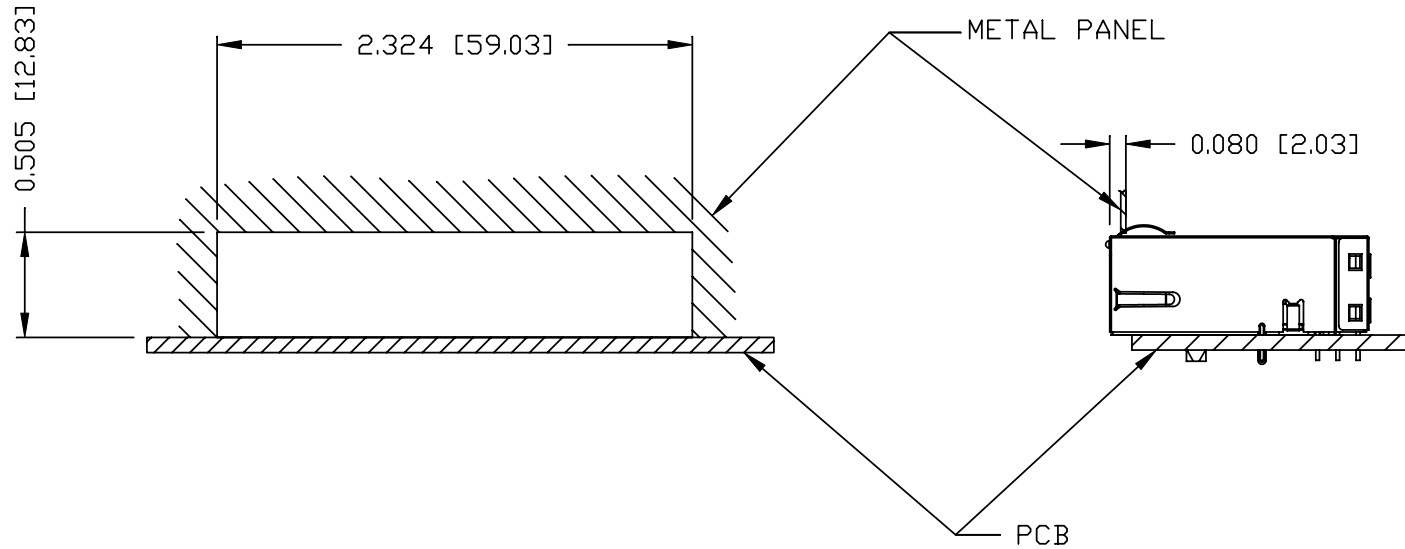
ORIGINATED BY ANTON LIAO	DATE 05-28-10	TITLE 1X4 gigabit MagJack® (8 cores, Tab Up) L826-1X4T-43-F	PART NO. / DRAWING NO. L8261X4T43-F		STANDARD DIM. TOL. IN INCH		[] METRIC DIM. AS REFERENCE		 COMPONENTS FOR A CONNECTED PLANET
			FILE NAME L8261X4T43-F_C.DWG		.X		UNIT : INCH [mm]	REV. : C	
DRAWN BY SHAWN FENG	DATE 05-28-10				.XX		SCALE : N/A	SIZE : A4	PAGE : 4
					.XXX	±0.004			

THE INFORMATION CONTAINED HEREIN IS CONSIDERED "PROPRIETARY" TO BEL FUSE INC. AND SHALL NOT BE COPIED, REPRODUCED OR DISCLOSED WITHOUT THE WRITTEN APPROVAL OF BEL FUSE INC.

RoHS
2002/95/EC



SUGGESTED PANEL OPENING



NOTE:

THE DISTANCE OF PANEL INSIDE SURFACE RELATIVE TO FRONT SURFACE OF PART IS ONLY A SUGGESTION. IN CASE THIS DISTANCE IS DIFFERENT, THE REQUIRED PANEL OPENING DIMENSIONS CHANGE ACCORDINGLY.

PACKING INFORMATION

PACKING TRAY: 0200-9999-D3 (TOP)

0200-9999-B5 (BOTTOM)

PACKING QUANTITY: 24 PCS FINISHED GOODS PER TRAY

10 TRAYS (240PCS FINISHED GOODS) PER CARTON BOX

REMARK: CARDBOARDS ARE PLACED BETWEEN LAYERS OF PACKING TRAY INSIDE CARTON BOX (INCLUDE THE UPPERMOST AND LOWERMOST TRAY)

ORIGINATED BY	DATE	TITLE	PART NO. / DRAWING NO.	STANDARD DIM. TOL. IN INCH	[] METRIC DIM. AS REFERENCE
ANTON LIAO	05-28-10	1X4 gigabit MagJack® (8 cores, Tab Up) L826-1X4T-43-F	L8261X4T43-F	.X	UNIT : INCH [mm] REV. : C
DRAWN BY	DATE			FILE NAME	.XX
SHAWN FENG	05-28-10		L8261X4T43-F_C.DWG	.XXX ±0.004	⊕ - - - PAGE : 5



Mouser Electronics

Authorized Distributor

Click to View Pricing, Inventory, Delivery & Lifecycle Information:

Bel:

[L826-1X4T-43-F](#)