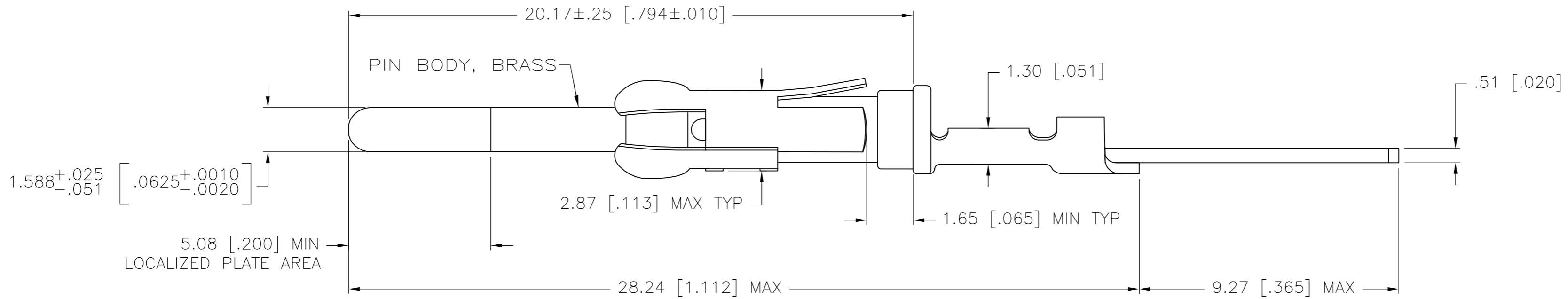
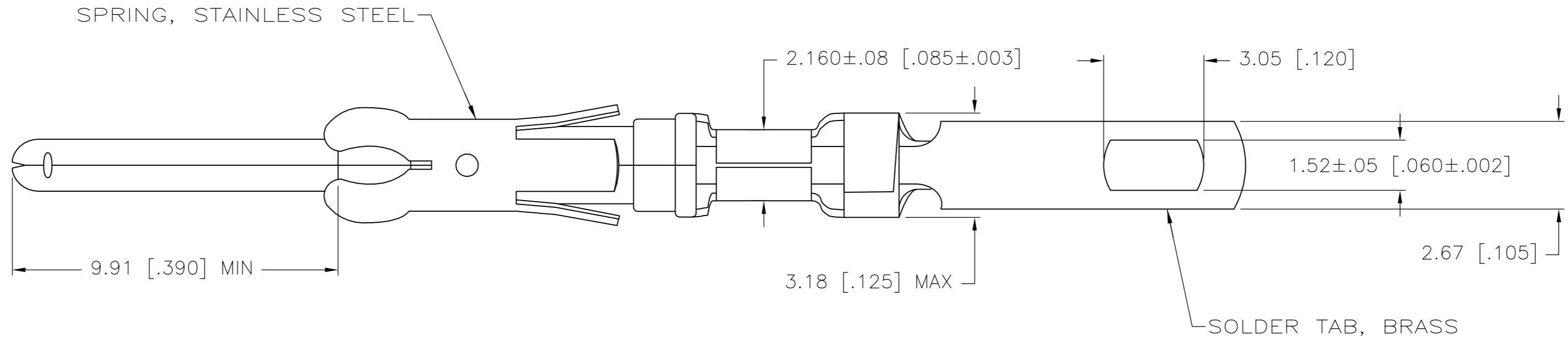


THIS DRAWING IS UNPUBLISHED. RELEASED FOR PUBLICATION
 © COPYRIGHT - ALL RIGHTS RESERVED.

REVISIONS				
P	LTR	DESCRIPTION	DATE	APVD
T2		REVISED PER ECO-16-004223	21JUL2016	NK MZ



- ① 1.27µm [.000050] MIN TIN-LEAD OVER
1.27µm [.000050] MIN NICKEL.
- ② 0.76µm [.000030] MIN GOLD IN LOCALIZED PLATE AREA, 0.25µm [.000010] MIN GOLD ON THE REMAINDER ALL OVER
1.27µm [.000050] MIN NICKEL.
- ③ 2.54µm [.000100] MIN TIN-LEAD OVER
1.27µm [.000050] MIN NICKEL.
- ④ 2.54µm [.000100] MIN TIN OVER
1.27µm [.000050] MIN NICKEL.
- ⑤ 1.27µm [.000050] MIN TIN OVER
1.27µm [.000050] MIN NICKEL.

OBSOLETE	④	SMALL PACK	②	202236-8	
		STANDARD	②	202236-7	
③	③	SMALL PACK	⑤	202236-6	
		STANDARD	⑤	202236-5	
		STANDARD	①	202236-4	
FINISH SOLDER TAB	PACKAGING TYPE	SMALL PACK	①	202236-3	
		STANDARD	②	202236-2	
		STANDARD	①	202236-1	
		FINISH SOLDER TAB	PACKAGING TYPE	FINISH	PART NO

THIS DRAWING IS A CONTROLLED DOCUMENT.		DWN H MOLL 27SEP90	TE TE Connectivity	
DIMENSIONS: mm [INCHES]		CHK J.McCLINTON 15DEC90		
TOLERANCES UNLESS OTHERWISE SPECIFIED:		APVD A. BOULLIANNE 15DEC90	NAME PIN ASSEMBLY, LOOSE PIECE, TYPE III+	
0 PLC ± -		PRODUCT SPEC	SIZE CAGE CODE DRAWING NO RESTRICTED TO	
1 PLC ± -		APPLICATION SPEC	A2 00779 C=202236	
2 PLC ± 0.13[.005]		WEIGHT -	SCALE 8:1 SHEET 1 of 1 REV T2	
3 PLC ± -		FINISH		
4 PLC ± -		FINISH PIN BODY:SEE TABLE		
ANGLES ± -		CUSTOMER DRAWING		
MATERIAL SEE CALL OUT				

Mouser Electronics

Authorized Distributor

Click to View Pricing, Inventory, Delivery & Lifecycle Information:

[TE Connectivity:](#)

[202236-7](#)