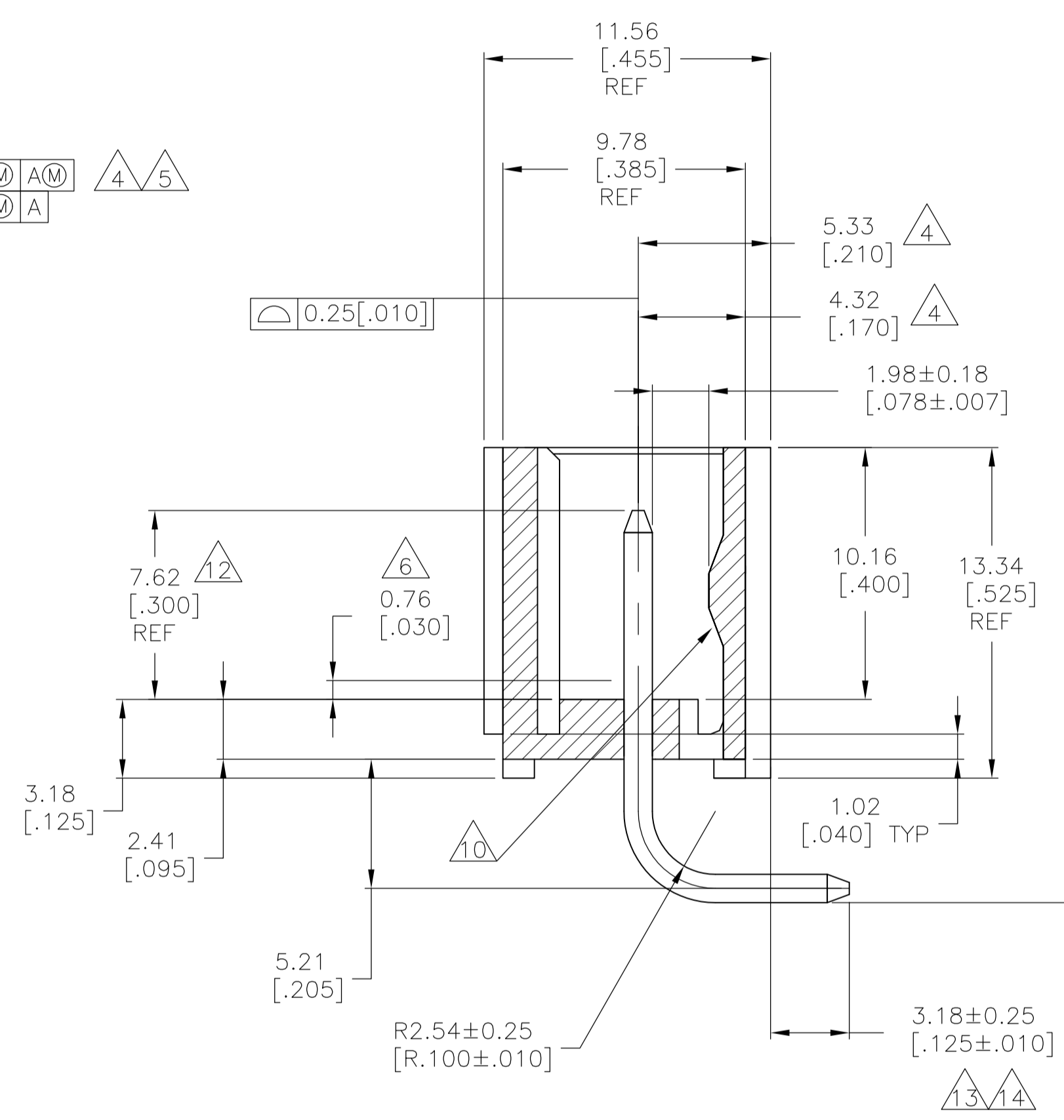
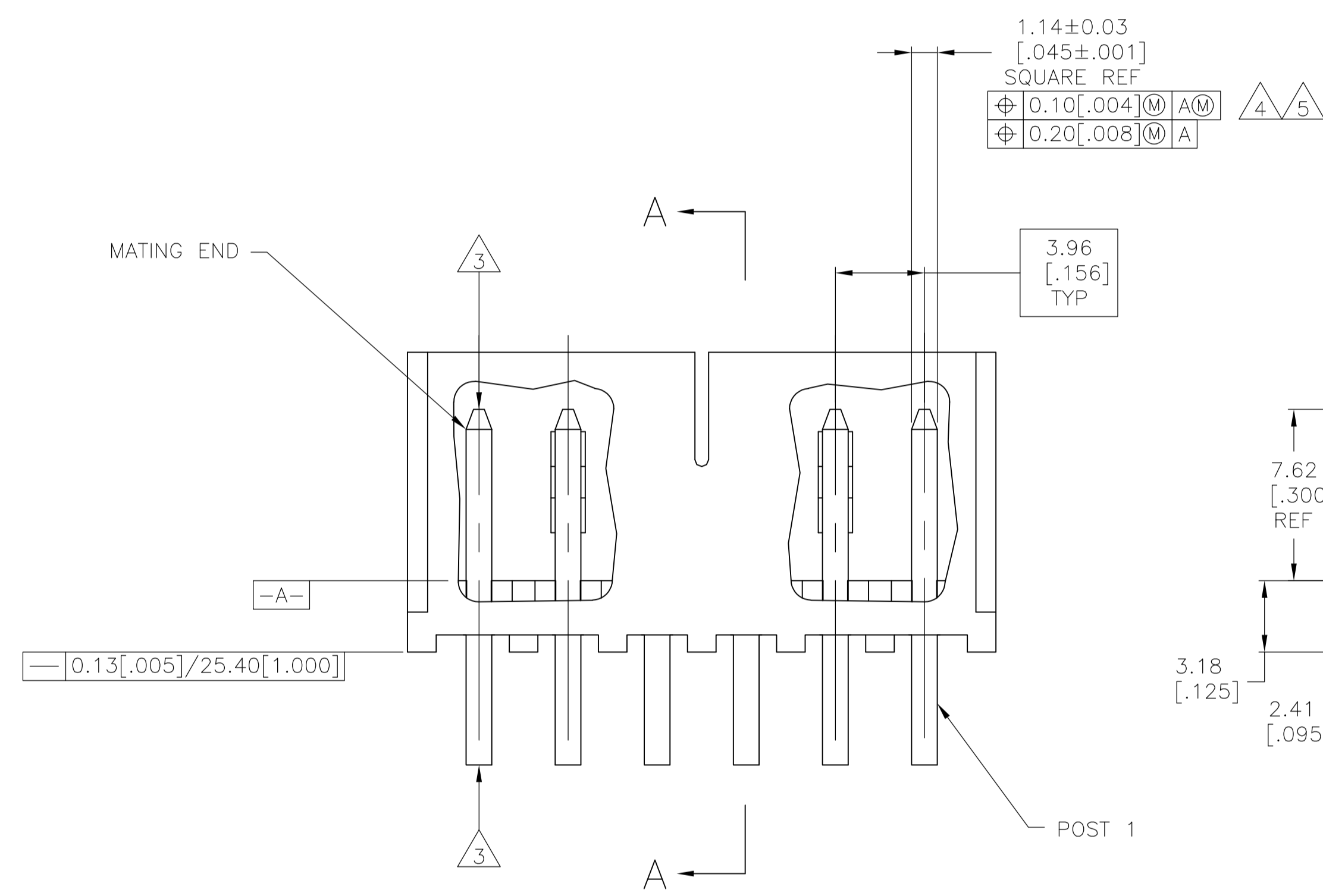
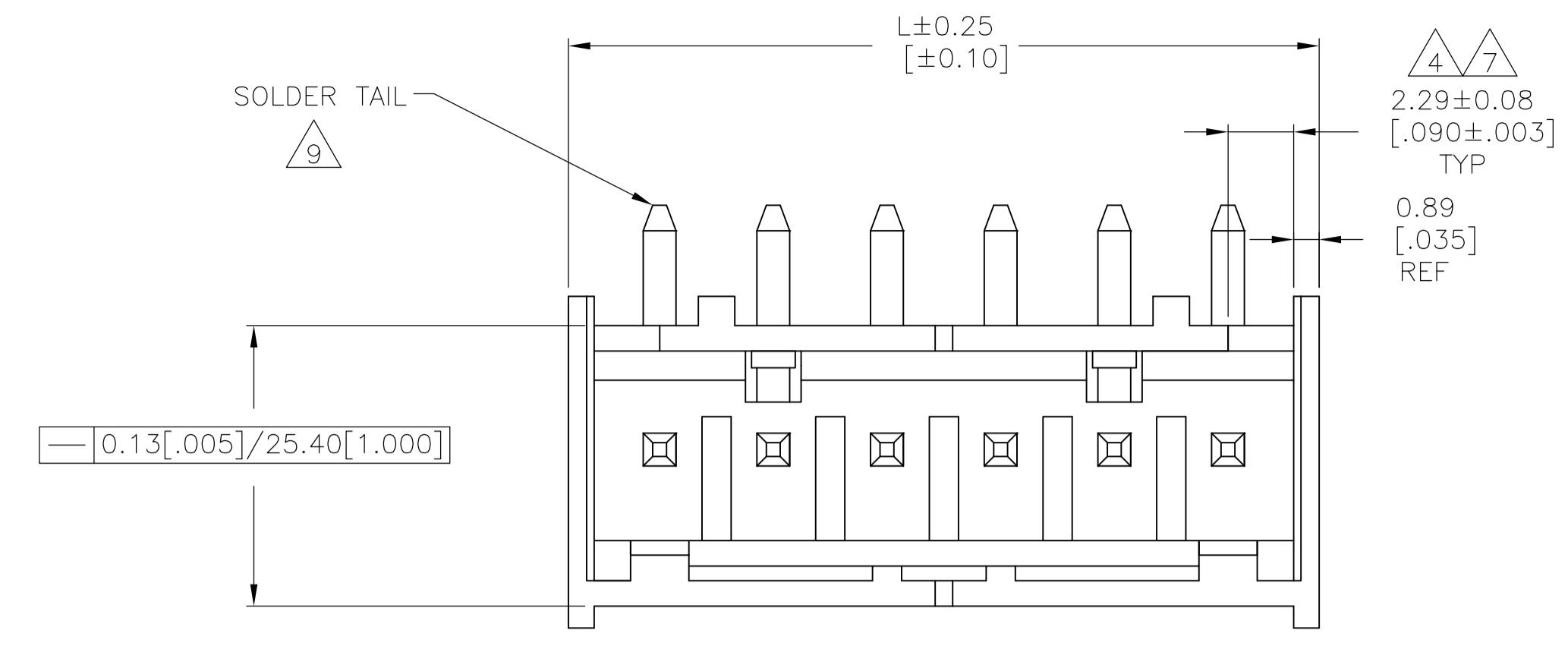
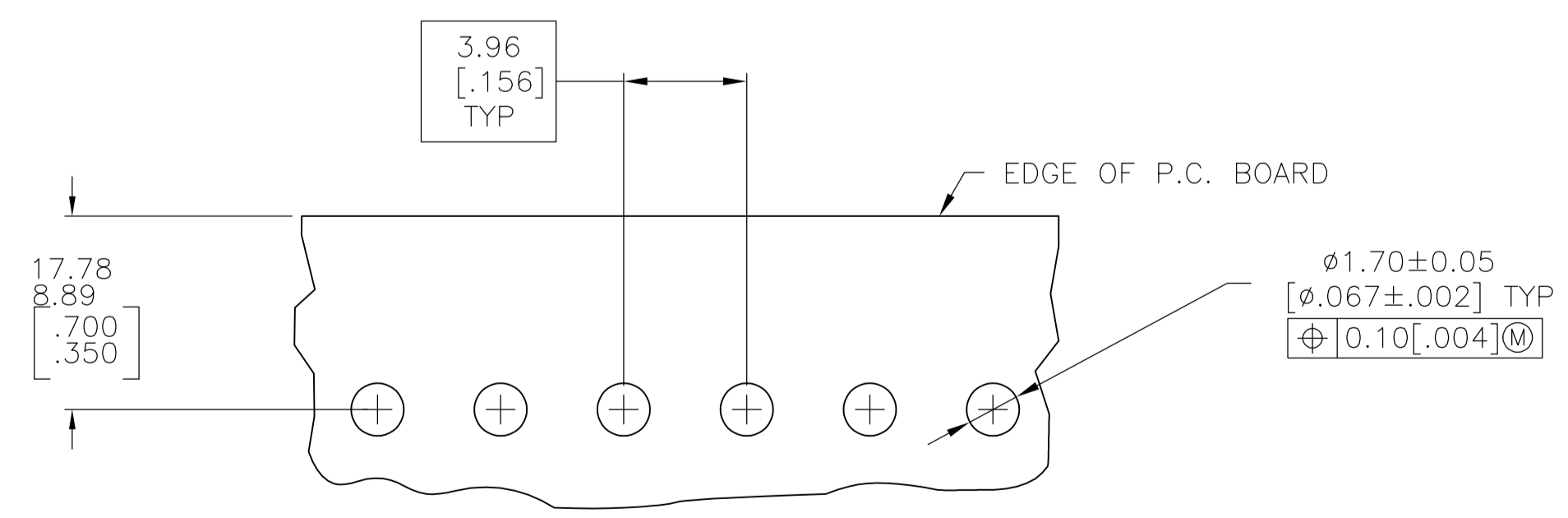
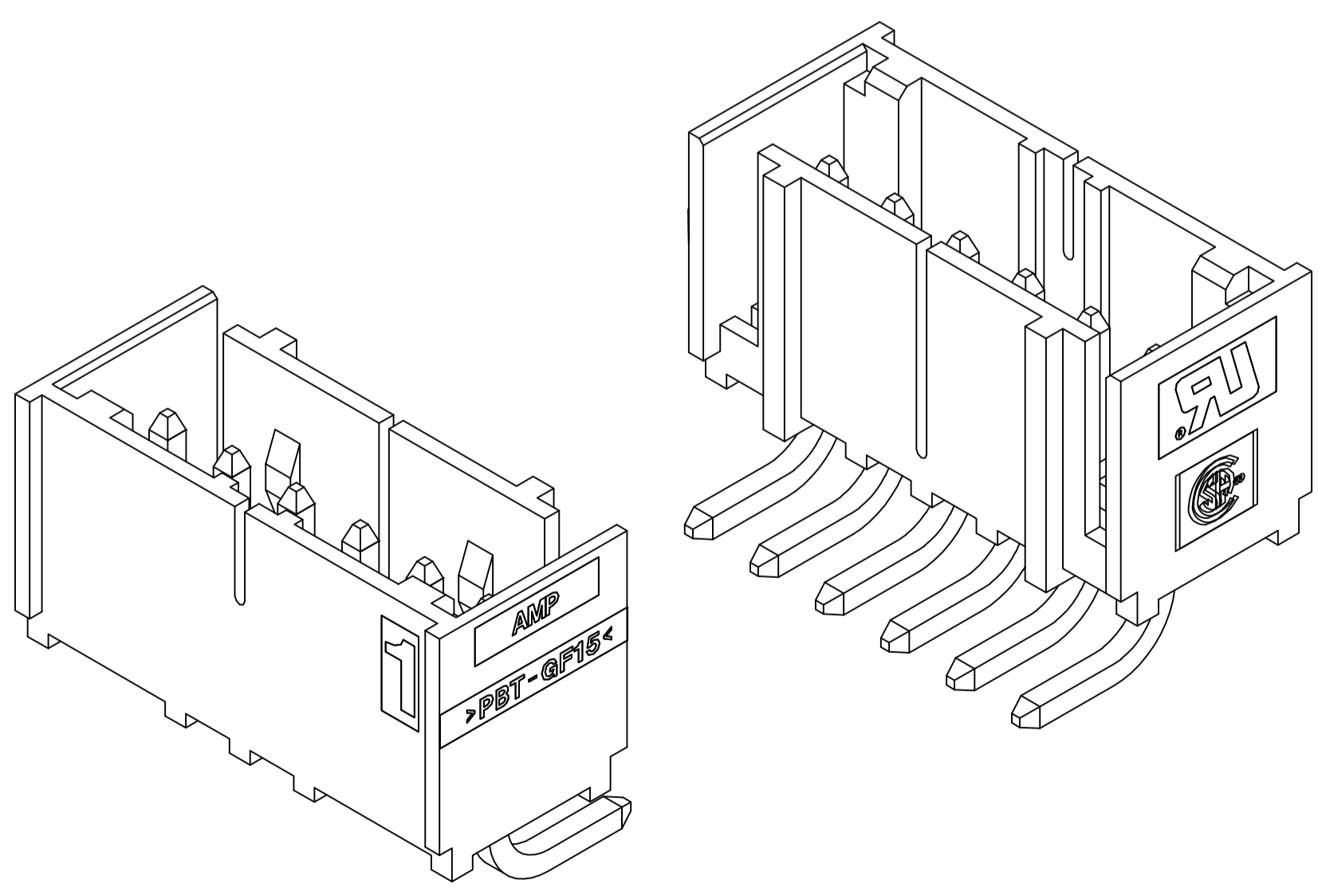
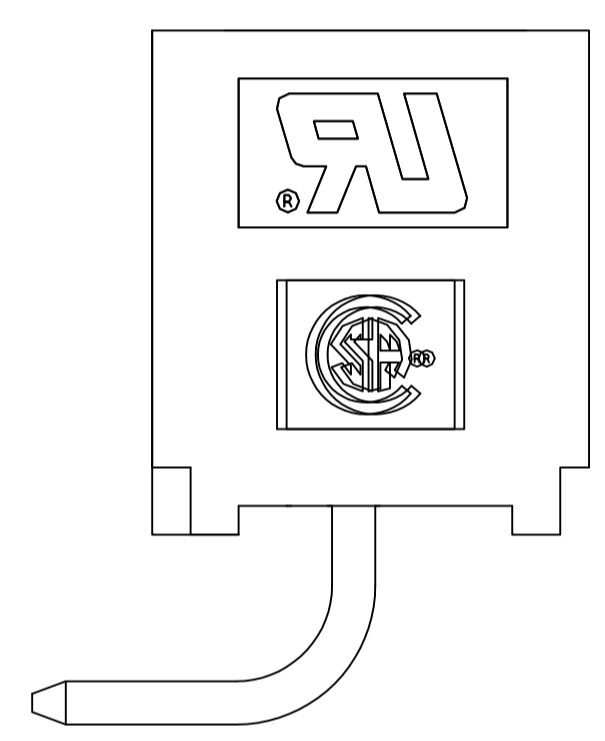


REVISONS		DATE	BY	APPV
E	REVISED PER ECO-11-015326	18OCT11	KH	SM



- $\triangle 1$ MATERIAL: HOUSING - THERMOPLASTIC POLYESTER, GLASS FILLED, UL94-0. POST - COPPER ALLOY
- $\triangle 2$ FINISH: HOUSING - BLACK POST - SEE NOTES 12, 13 AND 14 FOR PLATING.
- $\triangle 3$ POST TO WITHSTAND 3LBS (16N) MIN AXIAL FORCE IN THIS DIRECTION WITHOUT DISLODGING.
- $\triangle 4$ APPLIES AT
- $\triangle 5$ APPLIES WHEN HEADER IS STRAIGHT.
- $\triangle 6$ PLASTIC PROJECTIONS PERMITTED IN THIS ZONE.
- $\triangle 7$ COORDINATE DIMENSIONS APPLIES FROM CENTER OF ACTUAL FEATURE.
- $\triangle 8$ SOLDER SIDE OF BOARD IS SHOWN.
- $\triangle 9$ POST SOLDERTAIL MUST COMPLY WITH AMP SOLDERABILITY SPEC 109-11-2.
- $\triangle 10$ LATCH DETENT FEATURE APPEARS 1 PLACE ON EACH END OF PART (MAX OF 2 PER PART) ON ALL POSITIONS 4 THRU 12. THE LATCH APPEARS ONLY ONE PLACE ON 2 & 3 POSITION PARTS.
- $\triangle 11$ DIMENSIONS IN BRACKETS ARE IN INCHES.
- $\triangle 12$ PLATING: GOLD PLATE AREA, 0.00076 [.000030] GOLD OR 0.00008 [.000003] MIN GOLD FLASH OVER 0.00068 [.000027] PALLADIUM NICKEL, PER TE CONNECTIVITY'S DISCRETION, ALL SIDES, OVER NICKEL UNDERPLATE, .00127 [.000050] MIN, ALL SIDES AND ENTIRE LENGTH OF POST.
- $\triangle 13$ BRIGHT TIN LEAD (93/7) PLATE AREA 0.00381 - 0.0089 [.000150 - .000350] ALL FOUR SIDES, 3.18 [.125] MIN..
- $\triangle 14$ MATTE TIN PLATE AREA 0.00381 - 0.0089 [.000150 - .000350] ALL FOUR SIDES, 3.18 [.125] MIN..
- $\triangle 15$ OBSOLETE PARTS: OBSOLETE CIS STREAMLINING PER D.RENAUD/D.SINISI



SECTION A-A

647134-6 SHOWN

$\triangle 15$ SUPERSEDED

PLATING	MM	IN	NO OF POSN	PART NUMBER
				49.94
				45.97
				42.01
				38.05
				34.09
				30.12
				26.16
				22.20
				18.24
				14.27
				10.31
				49.94
				45.97
				42.01
				38.05
				34.09
				30.12
				26.16
				22.20
				18.24
				14.27
				10.31

METRIC

THIS DRAWING IS A CONTROLLED DOCUMENT.

TE Connectivity

MTA-156 SHROUDED HEADER ASSEMBLY, RIGHT ANGLE REAR BEND .045 SQUARE POST, .000030 GOLD, W/O RETENTION PEG

00779 647134

SCALE 1:1 SHEET 1 OF 1 REV E

Mouser Electronics

Authorized Distributor

Click to View Pricing, Inventory, Delivery & Lifecycle Information:

[TE Connectivity:](#)

[2-647134-9](#)