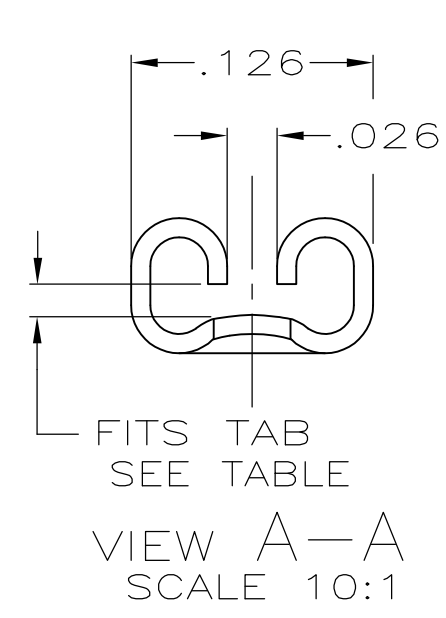
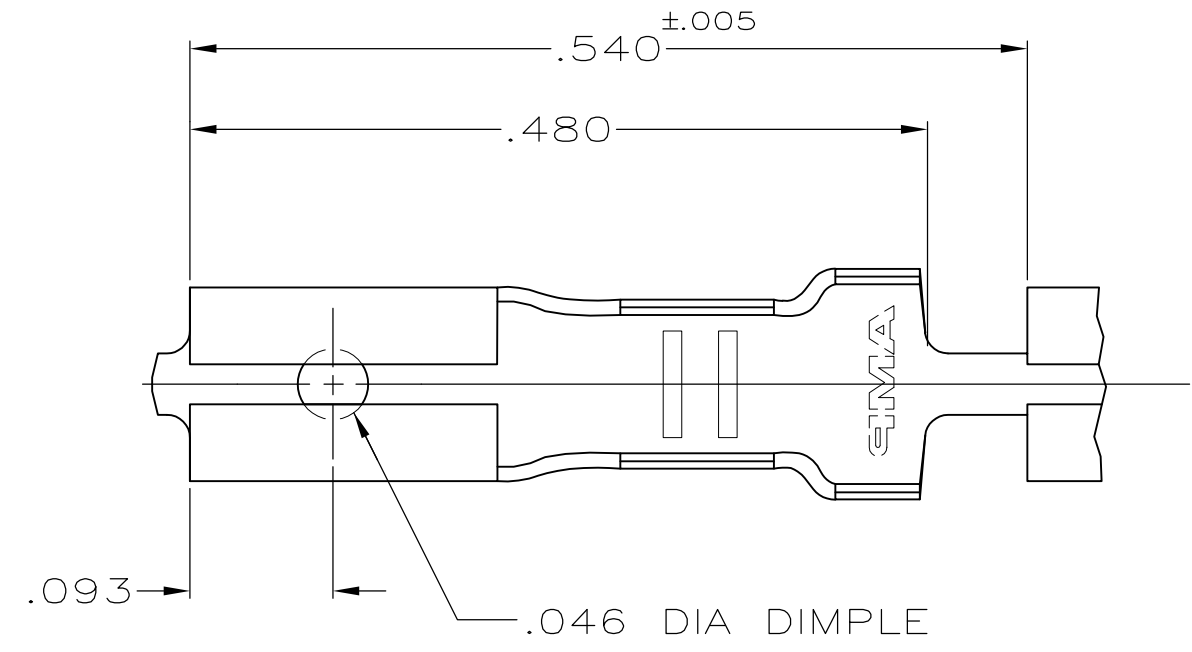
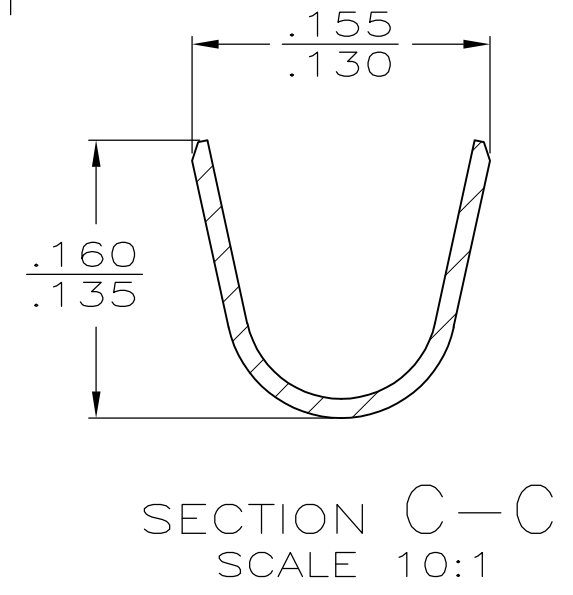
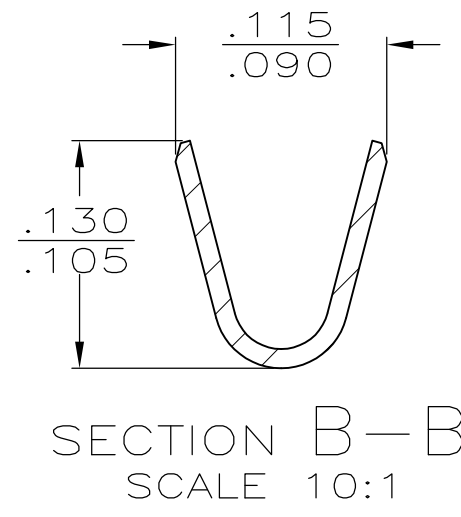
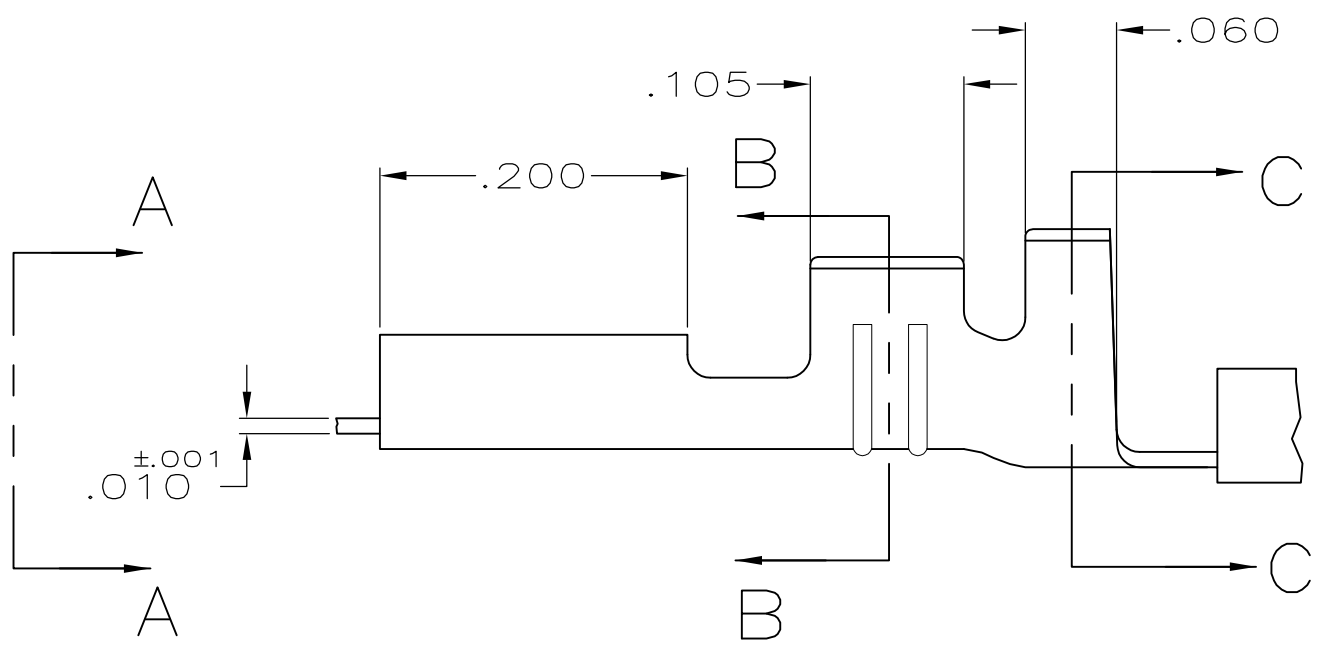


THIS DRAWING IS UNPUBLISHED. RELEASED FOR PUBLICATION
 © COPYRIGHT - By - ALL RIGHTS RESERVED.

LOC	DIST	REVISIONS			
P	LTR	DESCRIPTION	DATE	DWN	APVD
AF	50	J	REVISED PER ECR-12-013445	18OCT12	KH PD



1 CONTINUOUS STRIP ON REELS.



.080-.120	22-18	.032 x .103 MAX	60252-1
INSUL RANGE	WIRE SIZE	MATING TAB	PART NO
THIS DRAWING IS A CONTROLLED DOCUMENT.		TE Connectivity	
DIMENSIONS: mm [INCHES] 		NAME: RECEPTACLE, FASTON, SPECIAL	
TOLERANCES UNLESS OTHERWISE SPECIFIED: 0 PLC ± - 1 PLC ± - 2 PLC ± - 3 PLC ± 0.38 [.015] 4 PLC ± - ANGLES ± -		DWN: JR RUTH 12/10/92 CHK: MS FEHER 12/10/92 APVD: J GILLESPIE 12/10/92 PRODUCT SPEC APPLICATION SPEC	
MATERIAL: BRASS	FINISH: PRE-TIN	SIZE: A3	RESTRICTED TO: -
CUSTOMER DRAWING		CAGE CODE: 00779	REV: J
		DRAWING NO: C-60252	SCALE: 5:1
		SHEET: 1 OF 1	

Mouser Electronics

Authorized Distributor

Click to View Pricing, Inventory, Delivery & Lifecycle Information:

[TE Connectivity:](#)

[60252-1](#)