

**PLEASE CHECK WWW.MOLEX.COM FOR LATEST PART INFORMATION**

**Part Number:** [0003121022](#)  
**Status:** **Active**  
**Description:** 3.18mm Diameter, HCS125, Pin and Socket Receptacle Housing, 2 Circuits, Single Row, with and without Panel Mount Ears

**Documents:**

<a href="#">3D Model</a>	<a href="#">3D Model (PDF)</a>
<a href="#">Drawing (PDF)</a>	<a href="#">RoHS Certificate of Compliance (PDF)</a>

**Agency Certification**

CSA	LR19980
UL	E29179

**General**

Product Family	Crimp Housings
Series	<a href="#">4306</a>
Application	Power, Wire-to-Wire
Product Name	HCS-125
UPC	800754232661

**Physical**

Circuits (maximum)	2
Color - Resin	Natural
Flammability	94V-2
Gender	Receptacle
Glow-Wire Capable	No
Material - Resin	Nylon
Net Weight	1.961/g
Number of Rows	1
Packaging Type	Bag
Panel Mount	No
Pitch - Mating Interface	7.11mm
Stackable	No
Temperature Range - Operating	-40° to +105°C

**Electrical**

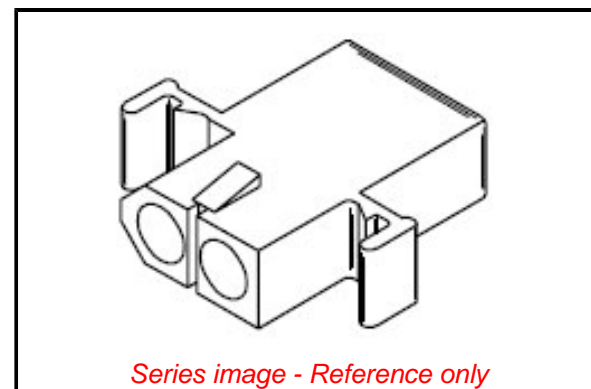
Current - Maximum per Contact	20.0A
-------------------------------	-------

**Material Info**

Engineering Number	4306R1
--------------------	--------

**Reference - Drawing Numbers**

Sales Drawing	43060000-SD-000
---------------	-----------------



**EU ELV**

**Not Relevant**

**EU RoHS**

**Compliant**

**REACH SVHC**

Not Contained Per -  
ECHA\_01\_2020 (16  
January 2020

**Halogen-Free**

**Status**

**Low-Halogen**

For more information, please visit [Contact US](#)

China ROHS

ELV

RoHS Phthalates

**China RoHS**

Green Image

Not Relevant

Not Contained

**Search Parts in this Series**

[4306 Series](#)

**Mates With**

[4306](#)

**Use With**

[8947](#) , [1900](#) male crimp terminals, [1901](#) ,  
[2046](#) , [2047](#) , [42546](#) , [42547](#) , [42554](#) , [42555](#)  
 , [8946](#)

# Mouser Electronics

Authorized Distributor

Click to View Pricing, Inventory, Delivery & Lifecycle Information:

[Molex:](#)

[03-12-1022](#)