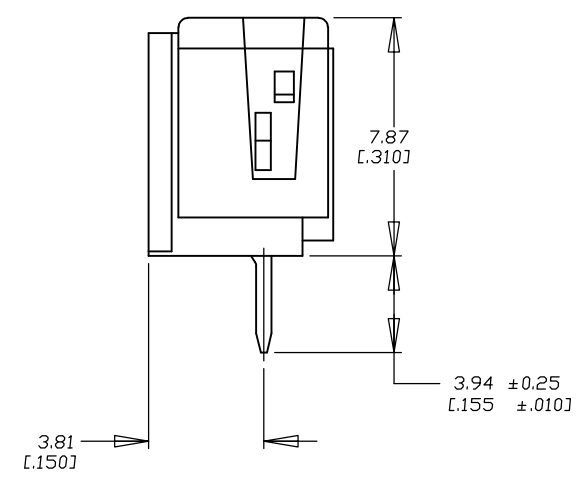
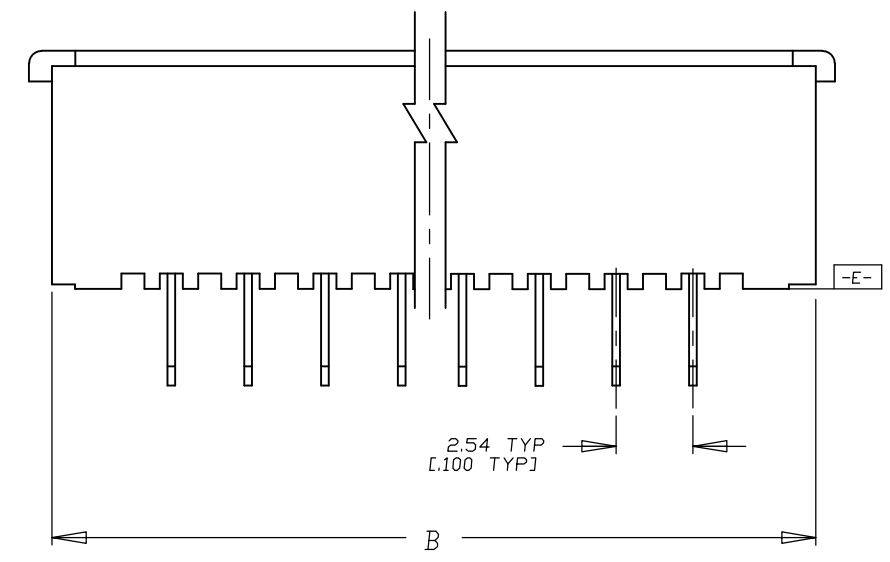
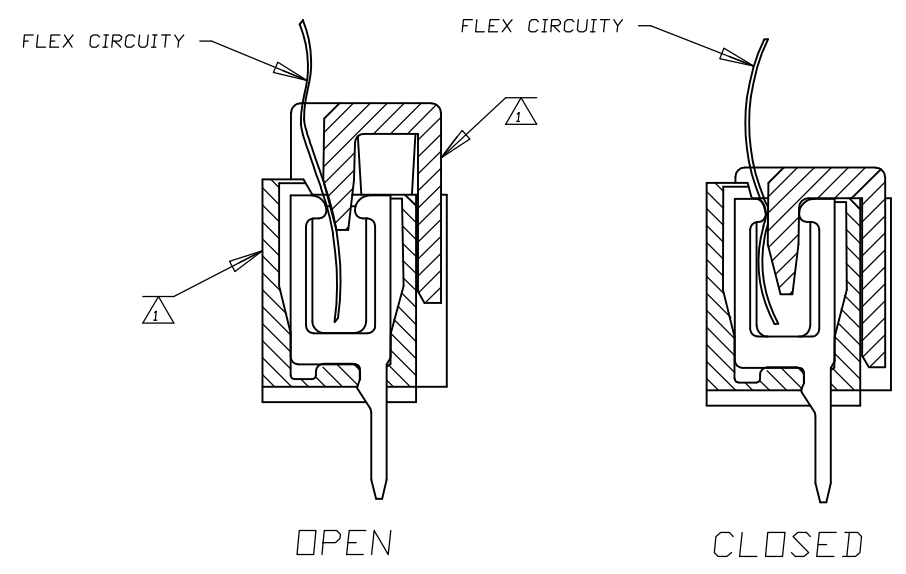
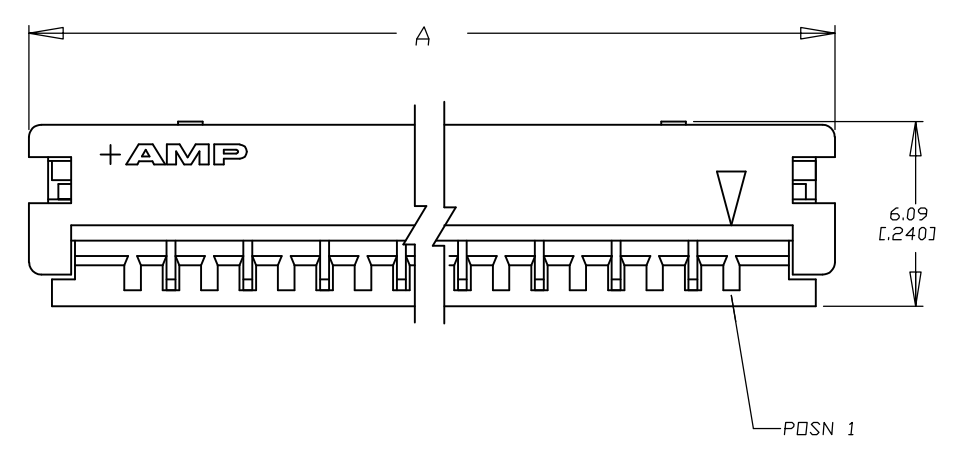


THIS DRAWING IS UNPUBLISHED. RELEASED FOR PUBLICATION .19 .
 © COPYRIGHT 19 By - ALL RIGHTS RESERVED.

REVISIONS				
P	LTR	DESCRIPTION	DATE	APVD
	F5	REVISE PER ECR-17-006818	10MAY17	HX WH



	23.11 [0.910]	24.64 [0.970]	7	1-487925-4
	51.05 [2.010]	52.58 [2.070]	18	1-487925-3
	12.95 [1.510]	14.48 [1.570]	3	1-487925-2
	43.43 [1.710]	44.96 [1.770]	15	1-487925-1
OBSOLETE	38.35 [1.510]	39.88 [1.570]	13	1-487925-0
	35.81 [1.410]	37.34 [1.470]	12	487925-9
	33.27 [1.310]	34.80 [1.370]	11	487925-8
OBSOLETE	28.19 [1.110]	29.72 [1.170]	9	487925-7
	30.73 [1.210]	32.26 [1.270]	10	487925-6
	61.21 [2.410]	62.74 [2.470]	22	487925-5
OBSOLETE	56.13 [2.210]	57.66 [2.270]	20	487925-4
	45.97 [1.810]	47.50 [1.870]	16	487925-3
	40.89 [1.610]	42.42 [1.670]	14	487925-2
	25.65 [1.010]	27.18 [1.070]	8	487925-1
	'B'	'A'	NO OF POSN	PART NUMBER

- 1 FLAME RETARDANT THERMOPLASTIC; COLOR-BLACK
- 2 FINISH: 0.00381 [0.00150] MIN THK TIN OVER
0.00127 [0.00050] MIN THK NICKEL ON ENTIRE CONTACT.
- 3 CONNECTOR SUPPLIED IN CLOSED CONDITION.

THIS DRAWING IS A CONTROLLED DOCUMENT.		DWN D.KEITZER 30OCT89	TE Connectivity	
		CHK C OBERMAN 2NOV89		
DIMENSIONS: mm		APVD SE IFONG	NAME	
		PRODUCT SPEC 108-16025	CONNECTOR ASSEMBLY, .100CL, ZIF-LINE 50	
TOLERANCES UNLESS OTHERWISE SPECIFIED: 0 PLC ± - 1 PLC ± - 2 PLC ± - 3 PLC ± .005 4 PLC ± - ANGLES ± -		APPLICATION SPEC 114-16014	SIZE A3	CAGE CODE 00779
MATERIAL HOUSING&STUFFER: 1 CONTACTS: PH/Br		WEIGHT -	DRAWING NO C-487925	RESTRICTED TO -
FINISH CONTACTS 2		CUSTOMER DRAWING		SCALE 8:1
				SHEET 1 OF 1
				REV F5

Mouser Electronics

Authorized Distributor

Click to View Pricing, Inventory, Delivery & Lifecycle Information:

[TE Connectivity:](#)

[487925-6](#)