

## ULTRA LOW JITTER CRYSTAL OSCILLATOR (XO)

### Features

- Available with select frequencies from 100 MHz to 312.5 MHz
- 3<sup>rd</sup> generation DSPLL<sup>®</sup> with superior jitter performance and high-power supply noise rejection
- 3x better frequency stability than SAW-based oscillators
- Available with LVPECL and LVDS outputs
- 3.3 and 2.5 V supply options
- Industry-standard 5 x 7 mm package and pinout
- Pb-free/RoHS-compliant

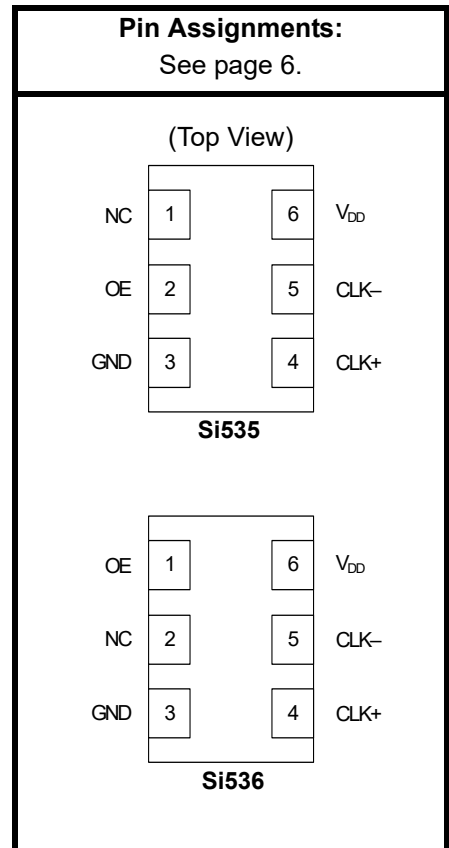
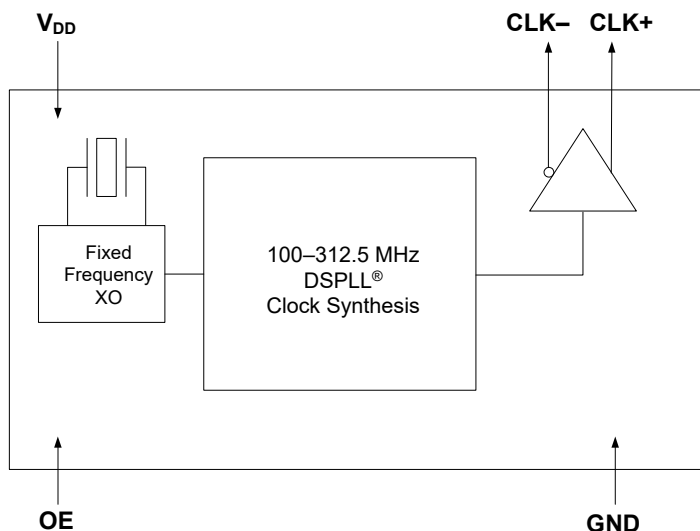
### Applications

- 10/40/100G data centers
- 10G Ethernet switches/routers
- Fibre channel/SAS/storage
- Enterprise servers
- Networking
- Telecommunications

### Description

The Si535/536 XO utilizes Silicon Labs' advanced DSPLL<sup>®</sup> circuitry to provide an ultra low jitter clock at high-speed differential frequencies. Unlike a traditional XO, where a different crystal is required for each output frequency, the Si535/536 uses one fixed crystal to provide a wide range of output frequencies. This IC based approach allows the crystal resonator to provide exceptional frequency stability and reliability. In addition, DSPLL clock synthesis provides superior supply noise rejection, simplifying the task of generating low jitter clocks in noisy environments typically found in communication systems. The Si535/536 IC based XO is factory programmed at time of shipment, thereby eliminating long lead times associated with custom oscillators.

### Functional Block Diagram



## 1. Electrical Specifications

**Table 1. Recommended Operating Conditions**

| Parameter                       | Symbol          | Test Condition           | Min                    | Typ | Max  | Unit |
|---------------------------------|-----------------|--------------------------|------------------------|-----|------|------|
| Supply Voltage <sup>1</sup>     | V <sub>DD</sub> | 3.3 V option             | 2.97                   | 3.3 | 3.63 | V    |
|                                 |                 | 2.5 V option             | 2.25                   | 2.5 | 2.75 | V    |
| Supply Current                  | I <sub>DD</sub> | Output enabled<br>LVPECL | —                      | 111 | 121  | mA   |
|                                 |                 | LVDS                     | —                      | 90  | 98   |      |
|                                 |                 | Tristate mode            | —                      | 60  | 75   | mA   |
| Output Enable (OE) <sup>2</sup> |                 | V <sub>IH</sub>          | 0.75 x V <sub>DD</sub> | —   | —    | V    |
|                                 |                 | V <sub>IL</sub>          | —                      | —   | 0.5  | V    |
| Operating Temperature Range     | T <sub>A</sub>  |                          | −40                    | —   | 85   | °C   |

**Notes:**

- Selectable parameter specified by part number. See Section 3. "Ordering Information" on page 7 for further details.
- OE pin includes a 17 kΩ pullup resistor to V<sub>DD</sub>.

**Table 2. CLK± Output Frequency Characteristics**

| Parameter                            | Symbol           | Test Condition                         | Min       | Typ    | Max       | Unit |
|--------------------------------------|------------------|--|-----------|--------|-----------|------|
| Nominal Frequency <sup>1</sup>       | f <sub>O</sub>   | LVPECL/LVDS                            | 100       | —      | 312.5     | MHz  |
| Initial Accuracy                     | f <sub>i</sub>   | Measured at +25 °C at time of shipping | —         | ±1.5   | —         | ppm  |
| Temperature Stability <sup>1,2</sup> |                  |  | −7<br>−20 | —<br>— | +7<br>+20 | ppm  |
| Aging                                | f <sub>a</sub>   | Frequency drift over first year        | —         | —      | ±3        | ppm  |
|                                      |                  | Frequency drift over 20 year life      | —         | —      | ±10       | ppm  |
| Total Stability <sup>2</sup>         |                  | Temp stability = ±20 ppm               | —         | —      | ±31.5     | ppm  |
|                                      |                  | Temp stability = ±7 ppm                | —         | —      | 20        |      |
| Powerup Time <sup>3</sup>            | t <sub>OSC</sub> | T <sub>A</sub> = −40°C — +85°C         | —         | —      | 10        | ms   |

**Notes:**

- See Section 3. "Ordering Information" on page 7 for the list of available frequencies.
- Selectable parameter specified by part number.
- Time from powerup or tristate mode to f<sub>O</sub>.

Table 3. CLK± Output Levels and Symmetry

| Parameter                                    | Symbol                          | Test Condition       | Min                    | Typ  | Max                    | Unit            |
|--|---------------------------------|----------------------|------------------------|------|------------------------|-----------------|
| LVPECL Output Option <sup>1</sup>            | V <sub>O</sub>                  | Mid-level            | V <sub>DD</sub> - 1.42 | —    | V <sub>DD</sub> - 1.25 | V               |
|  | V <sub>OD</sub>                 | Swing (diff)         | 1.1                    | —    | 1.9                    | V <sub>PP</sub> |
|  | V <sub>SE</sub>                 | Swing (Single-ended) | 0.55                   | —    | 0.95                   | V <sub>PP</sub> |
| LVDS Output Option <sup>2</sup>              | V <sub>O</sub>                  | Mid-level            | 1.125                  | 1.20 | 1.275                  | V               |
|  | V <sub>OD</sub>                 | Swing (diff)         | 0.5                    | 0.7  | 0.9                    | V <sub>PP</sub> |
| Rise/Fall time (20/80%)                      | t <sub>R</sub> , t <sub>F</sub> |                      | —                      | —    | 350                    | ps              |
| Symmetry (duty cycle)                        | SYM                             | Differential         | 45                     | —    | 55                     | %               |
| <b>Notes:</b>                                |                                 |                      |                        |      |                        |                 |
| 1. 50 Ω to V <sub>DD</sub> - 2.0 V.          |                                 |                      |                        |      |                        |                 |
| 2. R <sub>term</sub> = 100 Ω (differential). |                                 |                      |                        |      |                        |                 |

# Si535/536

**Table 4. CLK± Output Phase Jitter**

| Parameter                       | Symbol   | Test Condition                | Min | Typ  | Max  | Unit |
|---------------------------------|----------|-------------------------------|-----|------|------|------|
| LVPECL/LVDS Phase Jitter* (RMS) | $\phi_J$ | 10 kHz to 1 MHz (data center) | —   | 0.19 | 0.35 | ps   |
|                                 |          | 12 kHz to 20 MHz brickwall    | —   | 0.25 | 0.40 | ps   |

**\*Note:** Applies to output frequencies: 156.25 MHz.

**Table 5. CLK± Output Period Jitter**

| Parameter                  | Symbol    | Test Condition | Min | Typ | Max | Unit |
|----------------------------|-----------|----------------|-----|-----|-----|------|
| LVPECL/LVDS Period Jitter* | $J_{PER}$ | RMS            | —   | 2   | —   | ps   |
|                            |           | Peak-to-Peak   | —   | 14  | —   | ps   |

**\*Note:** N = 1000 cycles.



**Figure 1. Si535/536 Typical Phase Noise at 156.25 MHz**

**Table 6. Environmental Compliance**

The Si535/536 meets the following qualification test requirements.

| Parameter                  | Conditions/Test Method   |
|----------------------------|--------------------------|
| Mechanical Shock           | MIL-STD-883, Method 2002 |
| Mechanical Vibration       | MIL-STD-883, Method 2007 |
| Solderability              | MIL-STD-883, Method 2003 |
| Gross & Fine Leak          | MIL-STD-883, Method 1014 |
| Resistance to Solder Heat  | MIL-STD-883, Method 2036 |
| Moisture Sensitivity Level | J-STD-020, MSL1          |
| Contact Pads               | Gold over Nickel         |

**Table 7. Thermal Characteristics**

(Typical values  $T_A = 25\text{ }^\circ\text{C}$ ,  $V_{DD} = 3.3\text{ V}$ )

| Parameter                              | Symbol        | Test Condition | Min | Typ  | Max | Unit               |
|--|---------------|----------------|-----|------|-----|--------------------|
| Thermal Resistance Junction to Ambient | $\theta_{JA}$ | Still Air      | —   | 84.6 | —   | $^\circ\text{C/W}$ |
| Thermal Resistance Junction to Case    | $\theta_{JC}$ | Still Air      | —   | 38.8 | —   | $^\circ\text{C/W}$ |
| Ambient Temperature                    | $T_A$         |                | -40 | —    | 85  | $^\circ\text{C}$   |
| Junction Temperature                   | $T_J$         |                | —   | —    | 125 | $^\circ\text{C}$   |

**Table 8. Absolute Maximum Ratings<sup>1</sup>**

| Parameter  | Symbol     | Rating                 | Unit             |
|--|------------|------------------------|------------------|
| Maximum Operating Temperature  | $T_{AMAX}$ | 85                     | $^\circ\text{C}$ |
| Supply Voltage, 2.5/3.3 V Option                                       | $V_{DD}$   | -0.5 to +3.8           | V                |
| Input Voltage (any input pin)  | $V_I$      | -0.5 to $V_{DD} + 0.3$ | V                |
| Storage Temperature  | $T_S$      | -55 to +125            | $^\circ\text{C}$ |
| ESD Sensitivity (HBM, per JESD22-A114)                                 | ESD        | 2500                   | V                |
| Soldering Temperature (Pb-free profile) <sup>2</sup>                   | $T_{PEAK}$ | 260                    | $^\circ\text{C}$ |
| Soldering Temperature Time @ $T_{PEAK}$ (Pb-free profile) <sup>2</sup> | $t_p$      | 20–40                  | seconds          |

**Notes:**

1. Stresses beyond those listed in Absolute Maximum Ratings may cause permanent damage to the device. Functional operation or specification compliance is not implied at these conditions. Exposure to maximum rating conditions for extended periods may affect device reliability.
2. The device is compliant with JEDEC J-STD-020C. Refer to Si5xx Packaging FAQ available for download at [www.silabs.com/VCXO](http://www.silabs.com/VCXO) for further information, including soldering profiles.

# Si535/536

## 2. Pin Descriptions

(Top View)



**Table 9. Pinout for Si535 Series**

| Pin | Symbol          | Function   |
|-----|-----------------|--|
| 1   | NC              | No connection  |
| 2   | OE              | Output enable<br>0 = clock output disabled (outputs tristated)<br>1 = clock output enabled |
| 3   | GND             | Electrical and Case Ground   |
| 4   | CLK+            | Oscillator Output  |
| 5   | CLK-            | Complementary Output   |
| 6   | V <sub>DD</sub> | Power Supply Voltage   |

**\*Note:** OE includes a 17 kΩ pullup resistor to V<sub>DD</sub>.

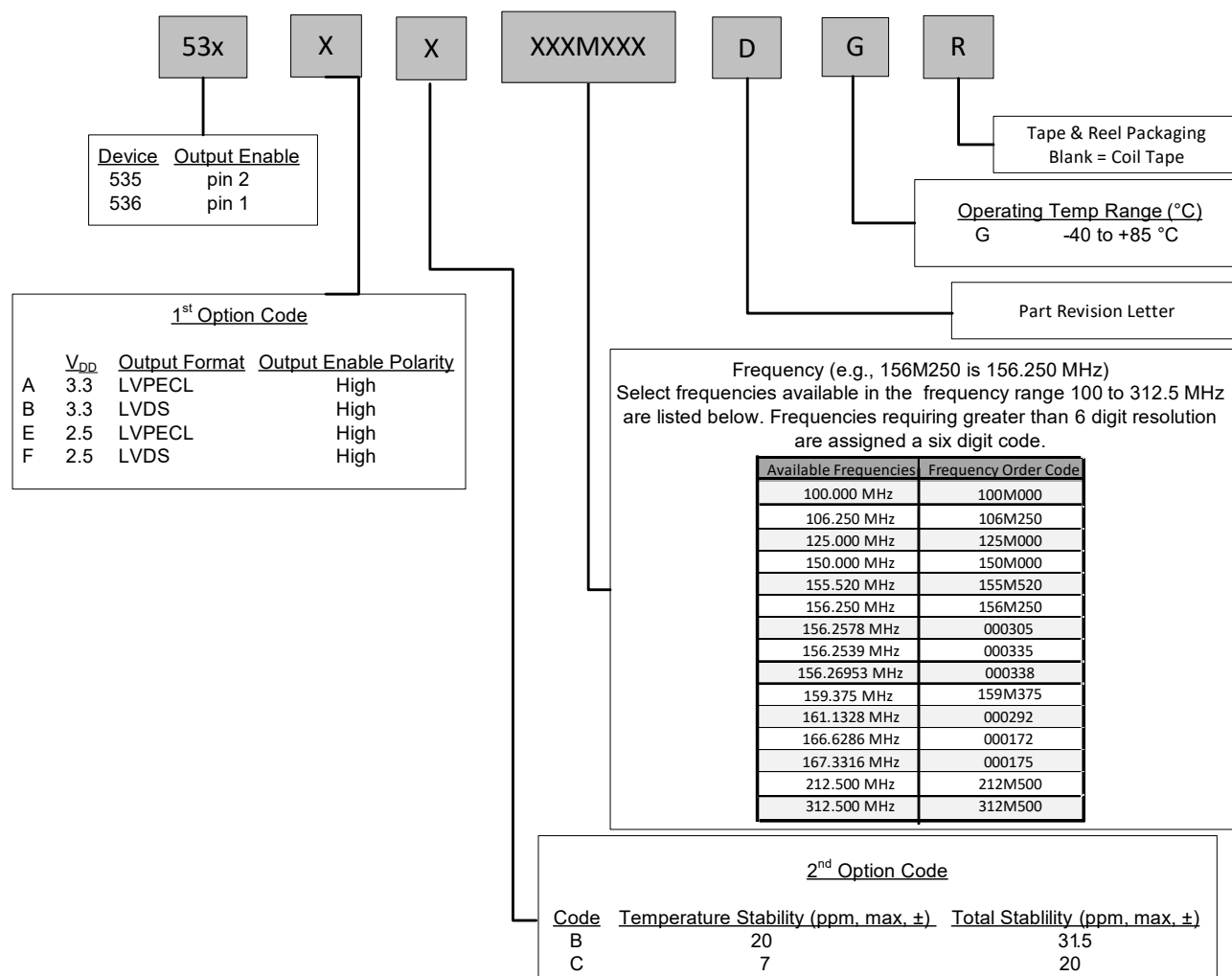
**Table 10. Pinout for Si536 Series**

| Pin | Symbol          | Function   |
|-----|-----------------|--|
| 1   | OE              | Output enable<br>0 = clock output disabled (outputs tristated)<br>1 = clock output enabled |
| 2   | No connection   | No connection  |
| 3   | GND             | Electrical and Case Ground   |
| 4   | CLK+            | Oscillator Output  |
| 5   | CLK-            | Complementary output   |
| 6   | V <sub>DD</sub> | Power Supply Voltage   |

**\*Note:** OE includes a 17 kΩ pullup resistor to V<sub>DD</sub>.

### 3. Ordering Information

The Si535/536 XO supports a variety of options including frequency, temperature stability, output format, and  $V_{DD}$ . The Si535 and Si536 XO series are supplied in an industry-standard, RoHS compliant, 6-pad, 5 x 7 mm package. The Si536 Series supports an alternate OE pinout (pin #1) for the LVPECL and LVDS output formats. See Tables 9 and 10 for the pinout differences between the Si535 and Si536 series.

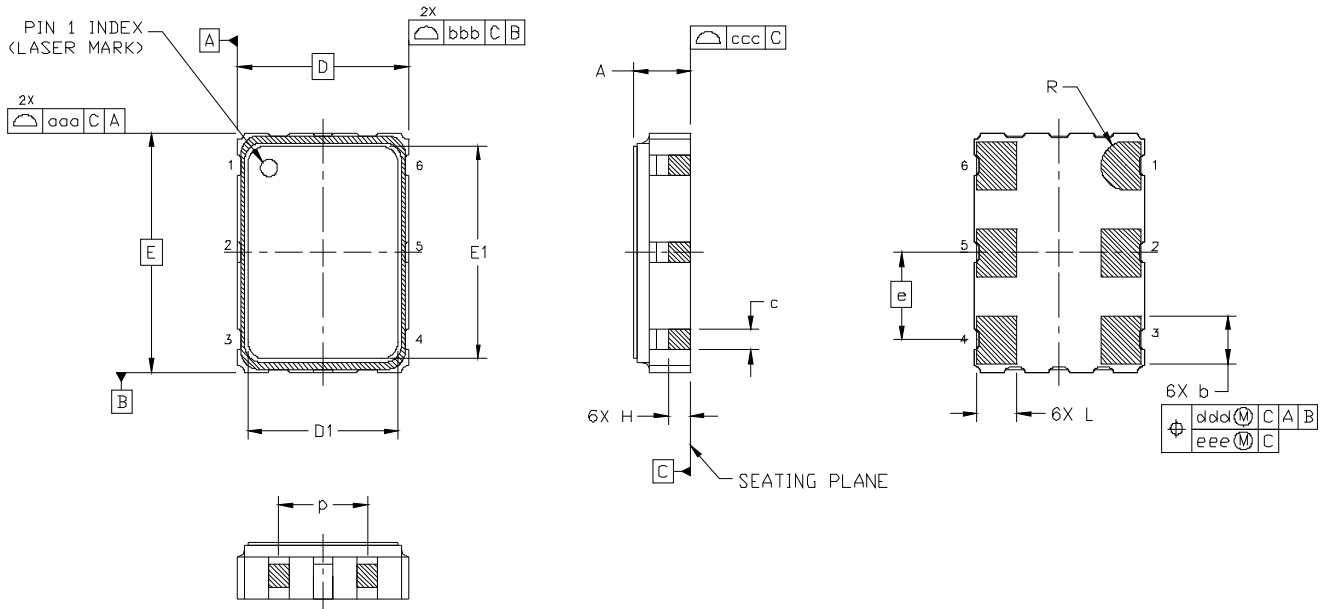


Example P/N: 535AB156M250DGR is a 5 x 7 XO in a 6 pad package. The frequency is 156.250 MHz, with a 3.3 V supply, LVPECL output, and Output Enable active high polarity. Temperature stability is specified as  $\pm 20$  ppm. The part is specified for  $-40$  to  $+85$  °C ambient temperature range operation and is shipped in tape and reel format.

**Figure 2. Part Number Convention**

## 4. Package Outline

Figure 3 illustrates the package details for the Si535/536. Table 11 lists the values for the dimensions shown in the illustration.



**Figure 3. Si535/536 Outline Diagram**

**Table 11. Package Diagram Dimensions (mm)**

| Dimension | Min      | Nom  | Max  |
|-----------|----------|------|------|
| A         | 1.50     | 1.65 | 1.80 |
| b         | 1.30     | 1.40 | 1.50 |
| c         | 0.50     | 0.60 | 0.70 |
| D         | 5.00 BSC |      |      |
| D1        | 4.30     | 4.40 | 4.50 |
| e         | 2.54 BSC |      |      |
| E         | 7.00 BSC |      |      |
| E1        | 6.10     | 6.20 | 6.30 |
| H         | 0.55     | 0.65 | 0.75 |
| L         | 1.17     | 1.27 | 1.37 |
| p         | 1.80     | —    | 2.60 |
| R         | 0.70 REF |      |      |
| aaa       | 0.15     |      |      |
| bbb       | 0.15     |      |      |
| ccc       | 0.10     |      |      |
| ddd       | 0.10     |      |      |
| eee       | 0.05     |      |      |



## 5. 6-Pin PCB Land Pattern

Figure 4 illustrates the 6-pin PCB land pattern for the Si535/536. Table 12 lists the values for the dimensions shown in the illustration.

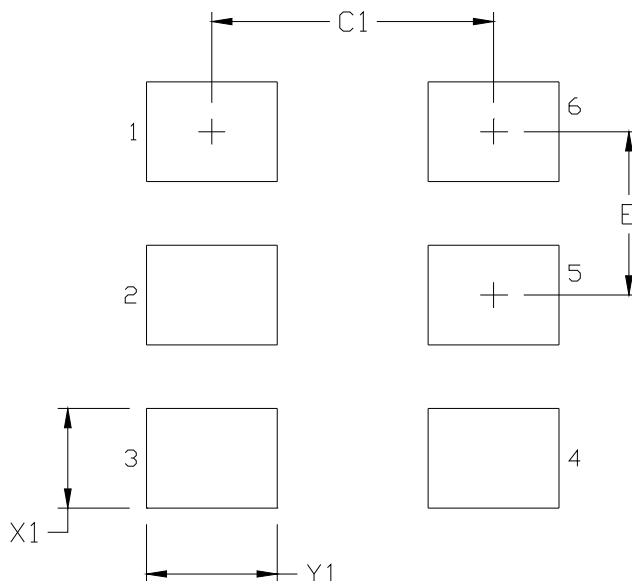


Figure 4. Si535/536 PCB Land Pattern

Table 12. PCB Land Pattern Dimensions (mm)

| Dimension | Min  |
|-----------|------|
| C1        | 4.20 |
| E         | 2.54 |
| X1        | 1.55 |
| Y1        | 1.95 |

### Notes:

#### General

1. All dimensions shown are in millimeters (mm) unless otherwise noted.
2. Dimensioning and Tolerancing is per the ANSI Y14.5M-1994 specification.
3. This Land Pattern Design is based on the IPC-7351 guidelines.
4. All dimensions shown are at Maximum Material Condition (MMC). Least Material Condition (LMC) is calculated based on a Fabrication Allowance of 0.05 mm.

#### Solder Mask Design

1. All metal pads are to be non-solder mask defined (NSMD). Clearance between the solder mask and the metal pad is to be 60  $\mu\text{m}$  minimum, all the way around the pad.

#### Stencil Design

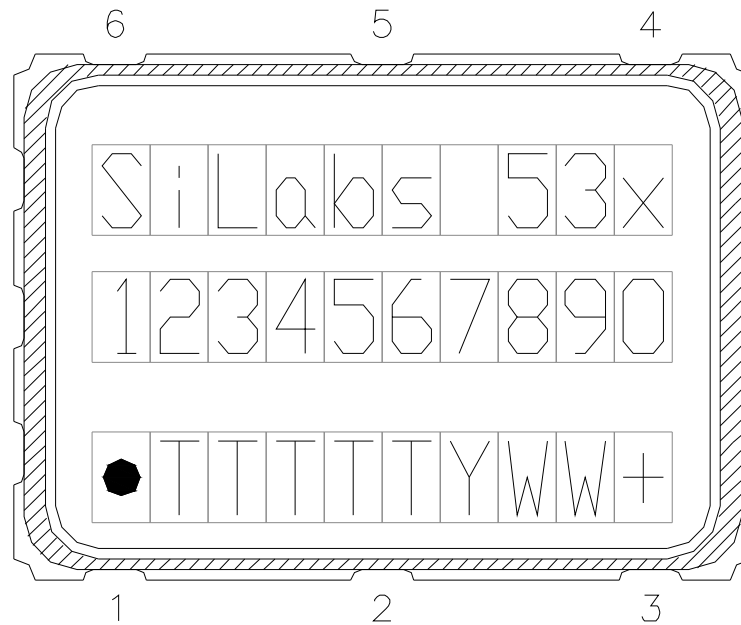
1. A stainless steel, laser-cut and electro-polished stencil with trapezoidal walls should be used to assure good solder paste release.
2. The stencil thickness should be 0.125 mm (5 mils).
3. The ratio of stencil aperture to land pad size should be 1:1.

#### Card Assembly

1. A No-Clean, Type-3 solder paste is recommended.
2. The recommended card reflow profile is per the JEDEC/IPC J-STD-020 specification for Small Body Components.

## 6. Si535/Si536 Mark Specification

Figure 5 illustrates the mark specification for the Si535/Si536. Table 13 lists the line information.



**Figure 5. Mark Specification**

**Table 13. Si53x Top Mark Description**

| Line | Position          | Description  |
|------|-------------------|--|
| 1    | 1–10              | “SiLabs”+ Part Family Number, 53x (First 3 characters in part number where x = 5 indicates a 535 device and x = 6 indicates a 536 device). |
| 2    | 1–10              | Si535, Si536: Option1 + Option2 + Freq(7) + Temp<br>Si535/Si536 w/ 8-digit resolution: Option1 + Option2 + ConfigNum(6) + Temp             |
| 3    | <b>Trace Code</b> |  |
|      | Position 1        | Pin 1 orientation mark (dot)   |
|      | Position 2        | Product Revision (D)   |
|      | Position 3–6      | Tiny Trace Code (4 alphanumeric characters per assembly release instructions)  |
|      | Position 7        | Year (least significant year digit), to be assigned by assembly site (ex: 2013 = 3)  |
|      | Position 8–9      | Calendar Work Week number (1–53), to be assigned by assembly site  |
|      | Position 10       | “+” to indicate Pb-Free and RoHS-compliant   |

## DOCUMENT CHANGE LIST

### Revision 0.2 to Revision 0.3

- Updated Table 7 on page 5.

### Revision 0.3 to Revision 0.5

- Updated Note 1 in Table 2 on page 2.
- Updated Symmetry Test Condition in Table 3 on page 3.
- Updated Table 4 on page 4.
- Updated Table 5 on page 4.
- Updated XXXMXXX text in Figure 2 on page 7.
- Updated 4. "Package Outline" on page 8.

### Revision 0.5 to Revision 0.6

- Updated Figure 2 on page 7.
- Updated Land Pattern information on page 10.

### Revision 0.6 to Revision 0.7

- Updated Powerup Time's test condition in Table 2 on page 2.
- Added new frequency option to Figure 2 on page 7.

### Revision 0.7 to Revision 1.0

- Updated Table 4 Phase Jitter's test condition and maximum values.

### Revision 1.0 to Revision 1.1

- Added 100 MHz ordering option.

### Revision 1.1 to Revision 1.2

May 13, 2016

- Updated Figure 2 for frequencies: 161.1328 MHz, 166.6286 MHz, 167.3316 MHz.

### Revision 1.2 to Revision 1.3

June, 2018

- Changed "Trays" to "Coil Tape" in section 3. "Ordering Information".



## ClockBuilder Pro

One-click access to Timing tools, documentation, software, source code libraries & more. Available for Windows and iOS (CBGo only).

[www.silabs.com/CBPro](http://www.silabs.com/CBPro)



**Timing Portfolio**  
[www.silabs.com/timing](http://www.silabs.com/timing)



**SW/HW**  
[www.silabs.com/CBPro](http://www.silabs.com/CBPro)



**Quality**  
[www.silabs.com/quality](http://www.silabs.com/quality)



**Support and Community**  
[community.silabs.com](http://community.silabs.com)

### Disclaimer

Silicon Labs intends to provide customers with the latest, accurate, and in-depth documentation of all peripherals and modules available for system and software implementers using or intending to use the Silicon Labs products. Characterization data, available modules and peripherals, memory sizes and memory addresses refer to each specific device, and "Typical" parameters provided can and do vary in different applications. Application examples described herein are for illustrative purposes only. Silicon Labs reserves the right to make changes without further notice and limitation to product information, specifications, and descriptions herein, and does not give warranties as to the accuracy or completeness of the included information. Silicon Labs shall have no liability for the consequences of use of the information supplied herein. This document does not imply or express copyright licenses granted hereunder to design or fabricate any integrated circuits. The products are not designed or authorized to be used within any Life Support System without the specific written consent of Silicon Labs. A "Life Support System" is any product or system intended to support or sustain life and/or health, which, if it fails, can be reasonably expected to result in significant personal injury or death. Silicon Labs products are not designed or authorized for military applications. Silicon Labs products shall under no circumstances be used in weapons of mass destruction including (but not limited to) nuclear, biological or chemical weapons, or missiles capable of delivering such weapons.

### Trademark Information

Silicon Laboratories Inc.®, Silicon Laboratories®, Silicon Labs®, SiLabs® and the Silicon Labs logo®, Bluegiga®, Bluegiga Logo®, Clockbuilder®, CMEMS®, DSPLL®, EFM®, EFM32®, EFR, Ember®, Energy Micro, Energy Micro logo and combinations thereof, "the world's most energy friendly microcontrollers", Ember®, EZLink®, EZRadio®, EZRadioPRO®, Gecko®, ISOModem®, Micrium, Precision32®, ProSLIC®, Simplicity Studio®, SiPHY®, Telegesis, the Telegesis Logo®, USBXpress®, Zentri, Z-Wave, and others are trademarks or registered trademarks of Silicon Labs. ARM, CORTEX, Cortex-M3 and THUMB are trademarks or registered trademarks of ARM Holdings. Keil is a registered trademark of ARM Limited. All other products or brand names mentioned herein are trademarks of their respective holders.



Silicon Laboratories Inc.  
400 West Cesar Chavez  
Austin, TX 78701  
USA

<http://www.silabs.com>

# Mouser Electronics

Authorized Distributor

Click to View Pricing, Inventory, Delivery & Lifecycle Information:

## Silicon Laboratories:

[535FB156M250DG](#) [535BB156M250DG](#) [535FB125M000DG](#) [535BB125M000DG](#) [536AB156M250DG](#)  
[536EB156M250DG](#) [535BC106M250DG](#) [536EB125M000DG](#) [535EB156M250DG](#) [536FB156M250DG](#)  
[536AB125M000DG](#) [535AB156M250DG](#) [536FB125M000DG](#) [535AB125M000DGR](#) [536BB125M000DG](#)  
[535AC156M250DGR](#) [535AC156M250DG](#) [535AB125M000DG](#) [536BB156M250DG](#) [535EB125M000DG](#)  
[535BC100M000DG](#) [536AC156M250DG](#) [536AC125M000DG](#) [535AC106M250DG](#) [535AC100M000DG](#)