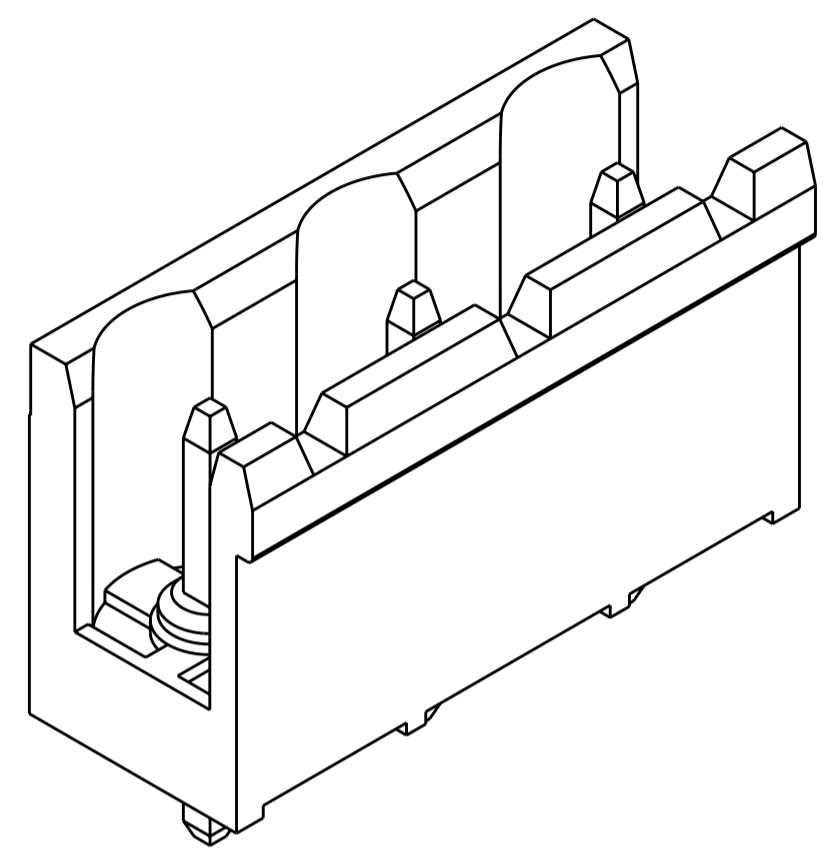
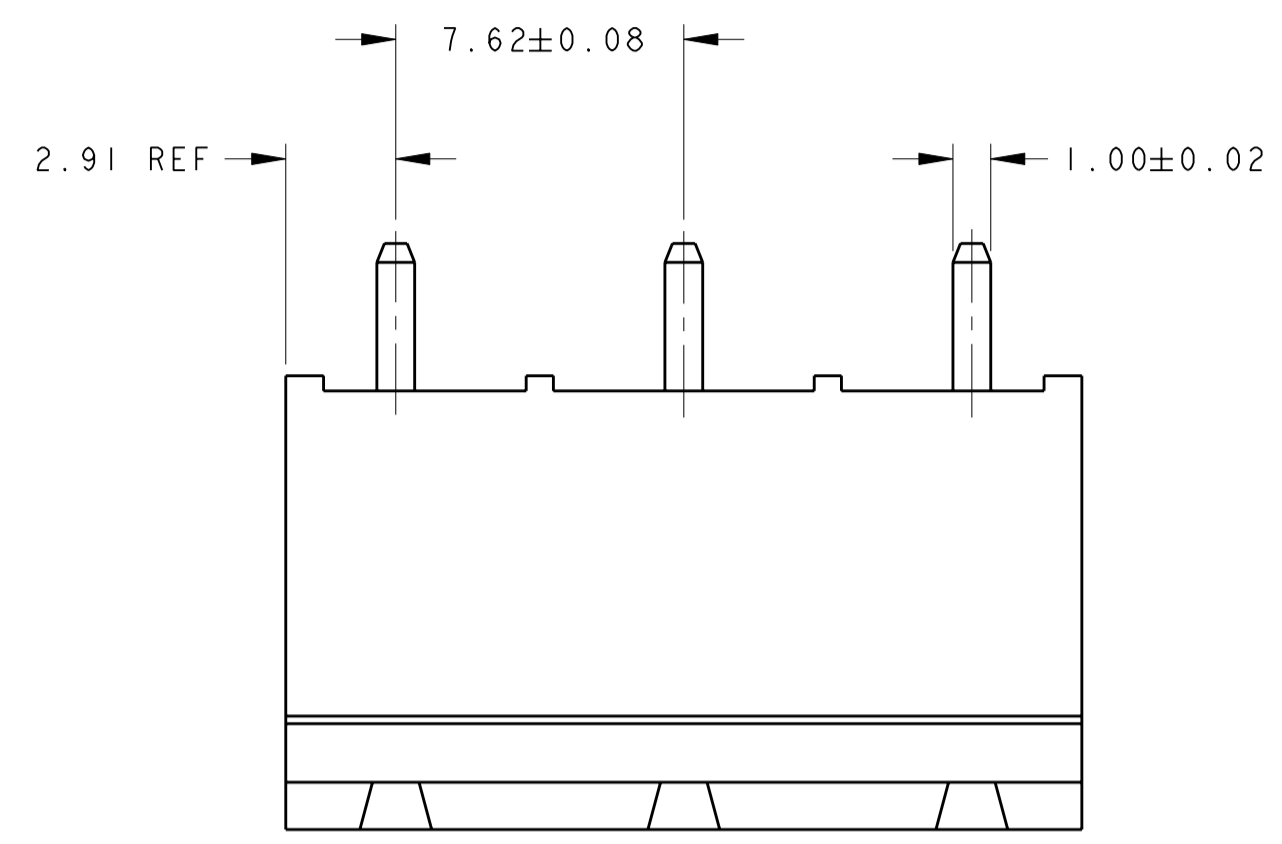


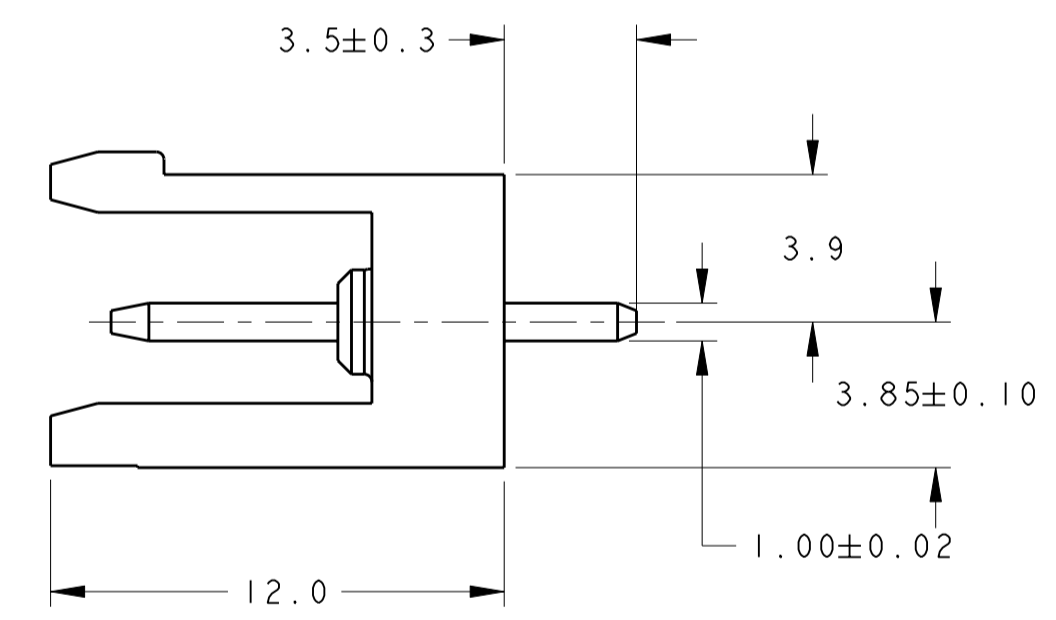
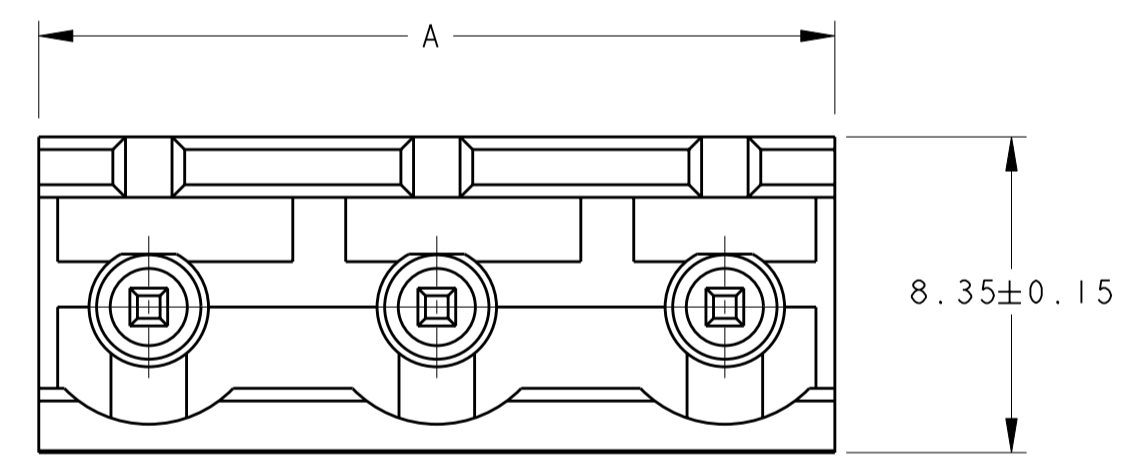
THIS DRAWING IS UNPUBLISHED. RELEASED FOR PUBLICATION 20
 © COPYRIGHT 20 Tyco Electronics AMP GmbH ALL RIGHTS RESERVED.

LOC		DIST		REVISIONS			
P	LTR	DESCRIPTION	DATE	DWN	APVD		
	01	REVISED PER ECO-12-007711	26APR2012	KH	MS		

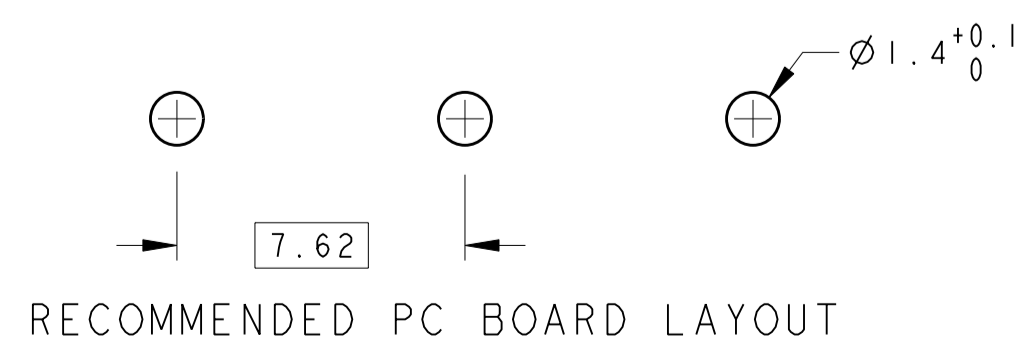


1776150-3 AS SHOWN

- 1. MATERIALS AND FINISH
 HOUSING: HIGH TEMPERATURE POLYAMIDE, UL 94V-0 RATED,
 COLOR: BLACK.
 TERMINAL: COPPER ALLOY, TIN PLATED.
- 2. SUITABLE FOR 1,6-2,4mm PC BOARD THICKNESS.
- 3. RECOGNIZED UNDER THE COMPONENT PROGRAM OF UNDERWRITERS LABORATORIES INC., FILE N° E60677.
- 4. IMQ CERTIFICATE WITH SURVEILLANCE IN CONFORMITY WITH IEC 998-1/998-2-1.



89.64	12	1-1776150-2
82.02	11	1-1776150-1
74.40	10	1-1776150-0
66.78	9	1776150-9
59.16	8	1776150-8
51.54	7	1776150-7
43.92	6	1776150-6
36.30	5	1776150-5
28.68	4	1776150-4
21.06	3	1776150-3
13.44	2	1776150-2
A	NO OF POSN	PART NUMBER



THIS DRAWING IS A CONTROLLED DOCUMENT.		DWN S. WELDON 01 JUL 2005	TE Connectivity	
DIMENSIONS: mm		CHK C. RICHARD 01 JUL 2005		
TOLERANCES UNLESS OTHERWISE SPECIFIED:		APVD C. RICHARD 01 JUL 2005	NAME: TERMINAL BLOCK HEADER ASSEMBLY, 180 DEGREE, OPEN ENDS, 7.62mm PITCH	
0 PLC ±-		PRODUCT SPEC 108-20166	SIZE: A2	
1 PLC ±.3		APPLICATION SPEC 114-20079	CAGE CODE: 00779	
2 PLC ±.25		WEIGHT: -	DRAWING NO: 1776150	
3 PLC ±-		RESTRICTED TO: -		
4 PLC ±-		CUSTOMER DRAWING		
ANGLES ±2		SCALE: 5:1		
FINISH		SHEET 1 OF 1		
-		REV 01		

Mouser Electronics

Authorized Distributor

Click to View Pricing, Inventory, Delivery & Lifecycle Information:

[TE Connectivity:](#)

[1776150-5](#)