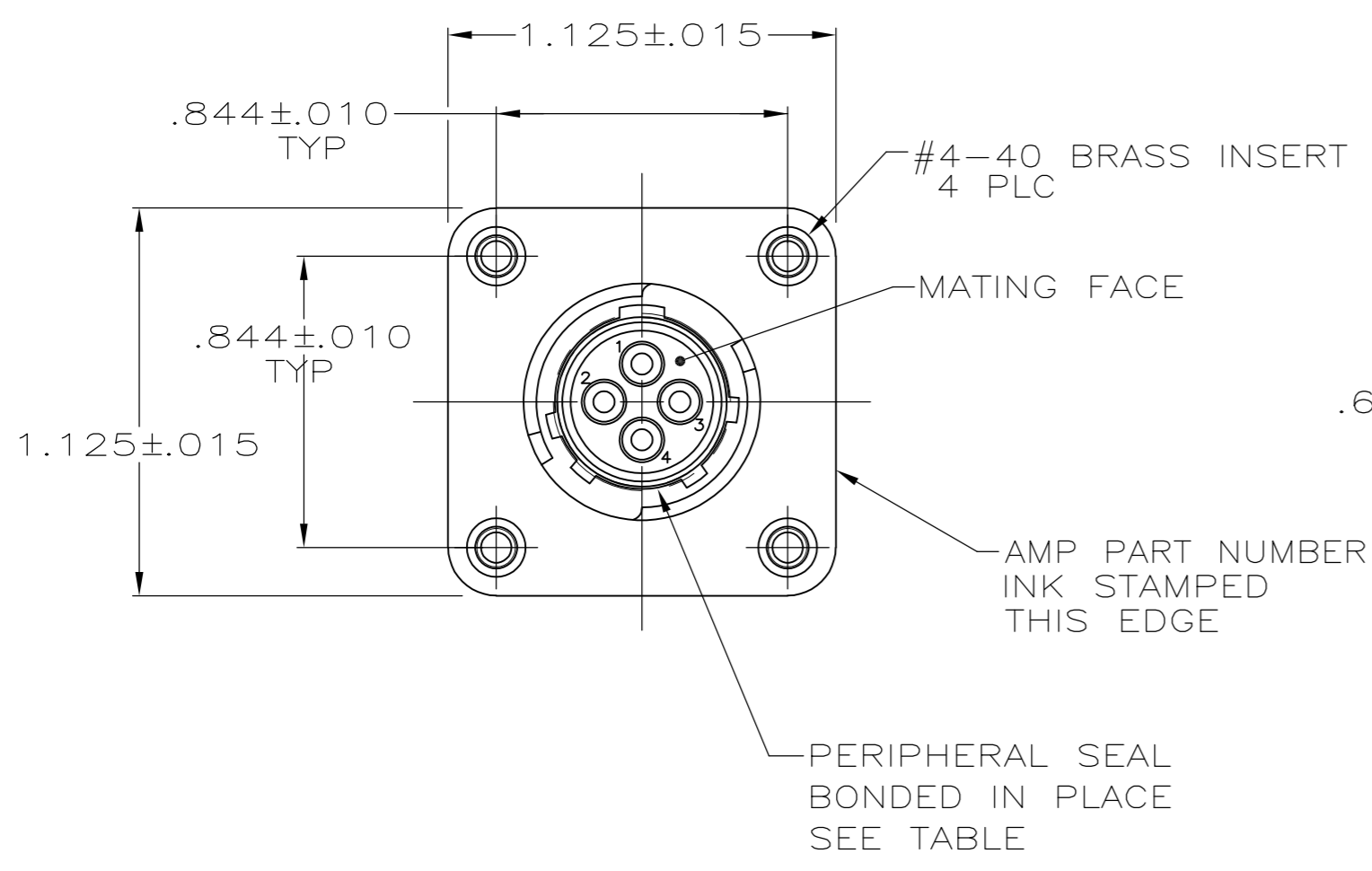


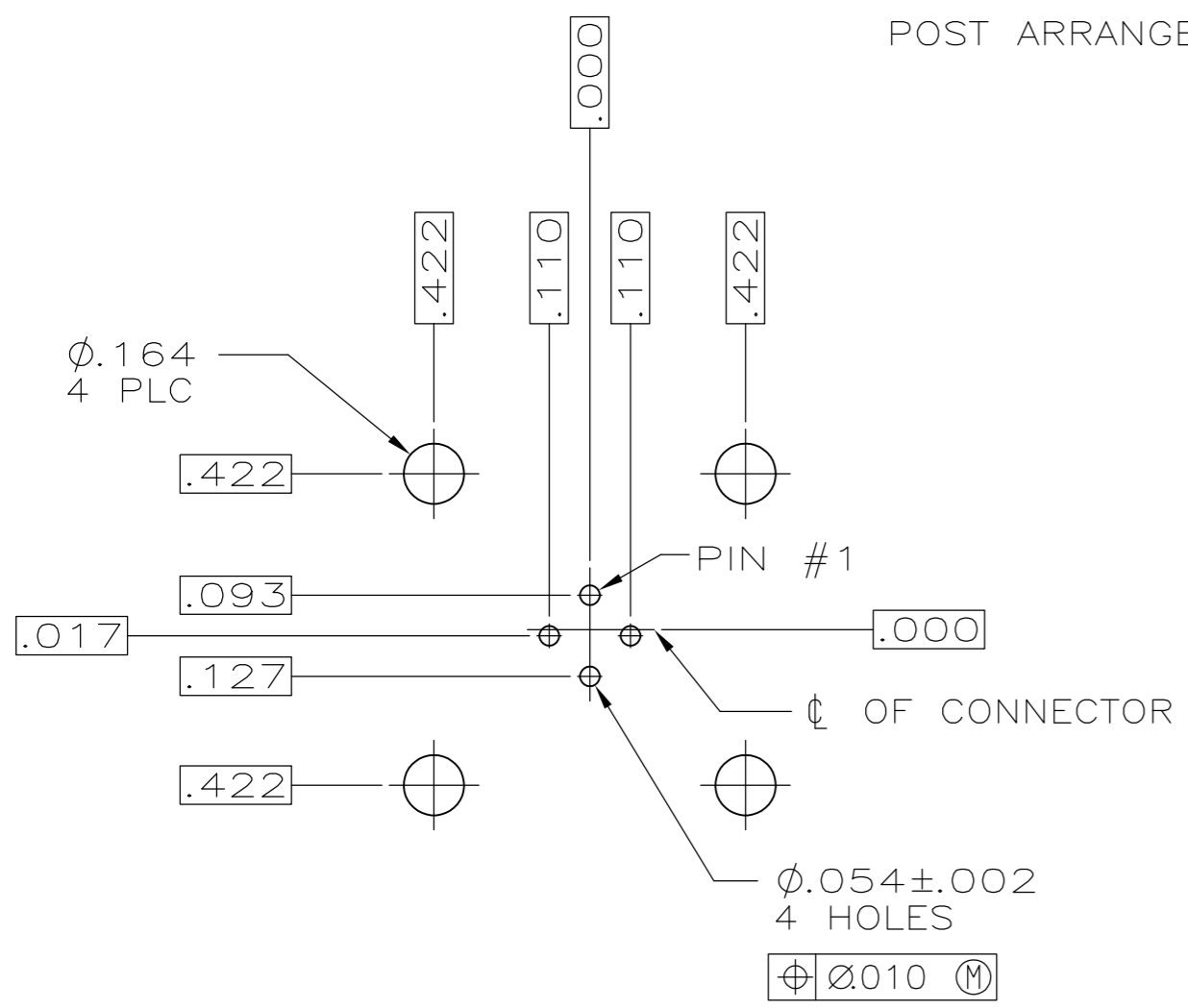
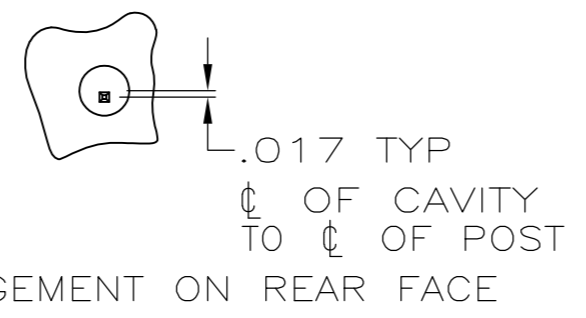
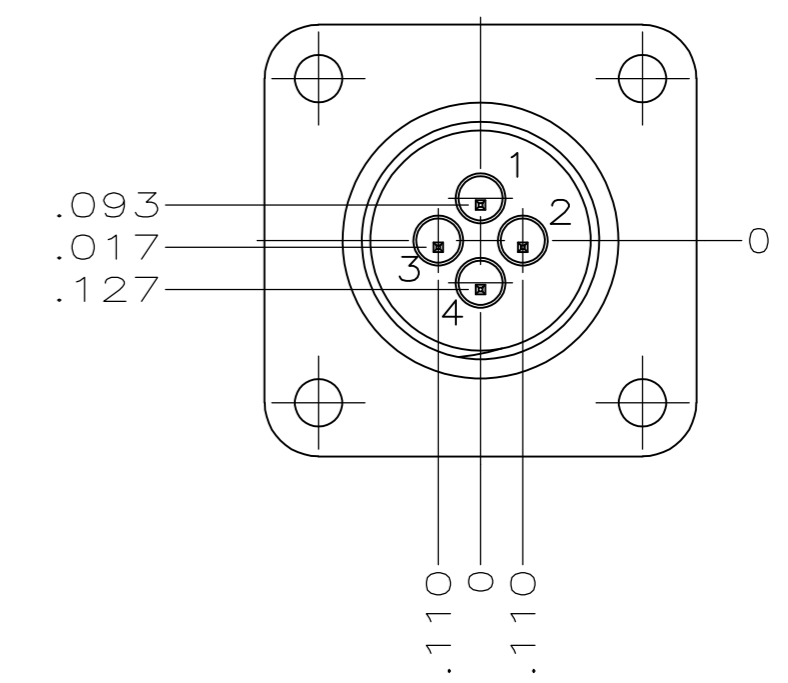
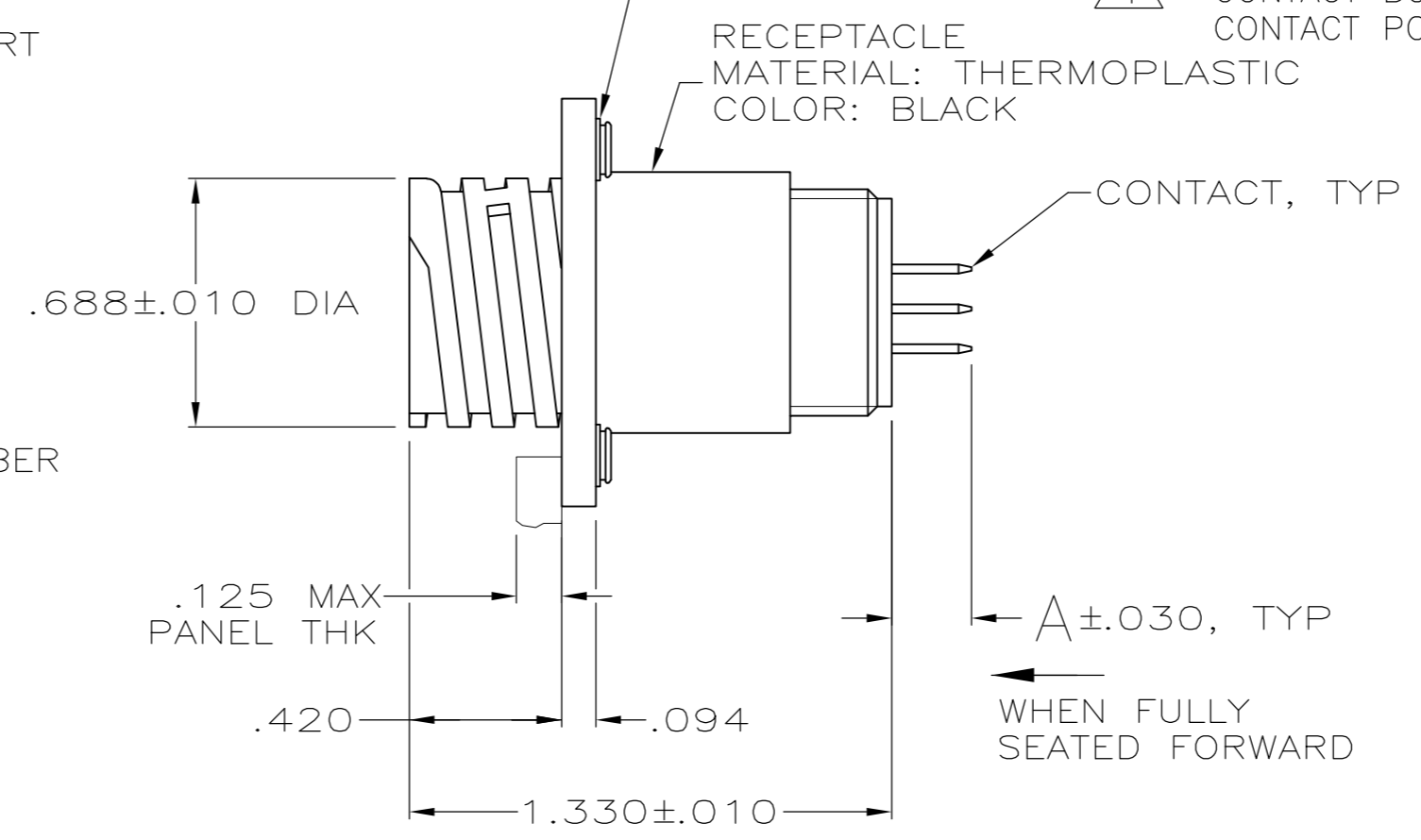
THIS DRAWING IS UNPUBLISHED. RELEASED FOR PUBLICATION  
 © COPYRIGHT - By - ALL RIGHTS RESERVED.

REVISIONS				
P	LTR	DESCRIPTION	DATE	APVD
S		REVISED PER ECO-17-004657	05APR2017	RS MZ

- 1 RECEPTACLE IS LOADED WITH 4 TYPE III+ POSTED PIN CONTACTS.
- 2 CONTACT BODY: GOLD PER MIL-G-45204 OVER NICKEL PER QQ-N-290. CONTACT POST: TIN-LEAD PER MIL-T-10727 OVER COPPER PER MIL-C-14550A.
- 3 CONTACT BODY: GOLD PER MIL-G-45204 OVER NICKEL PER QQ-N-290. CONTACT POST: TIN OVER COPPER PER MIL-C-14550A.
- 4 CONTACT BODY: TIN OVER NICKEL PER MIL-C-14550A. CONTACT POST: TIN OVER NICKEL PER MIL-C-14550A.



#4-40 THD INSERT  
 MATERIAL: BRASS  
 SEE TABLE



RECOMMENDED P.C. BOARD LAYOUT

	3	.220	YES	NO	1-207825-5
OBSOLETE	4	.429	YES	YES	1-207825-4
OBSOLETE	3	.119	NO	NO	1-207825-2
	4	.618	NO	YES	1-207825-1
OBSOLETE	3	.119	YES	YES	1-207825-0
	3	.119	NO	YES	207825-9
OBSOLETE	2	.220	YES	NO	207825-8
OBSOLETE	2	.429	YES	YES	207825-7
	2	.119	NO	NO	207825-6
OBSOLETE	2	.119	NO	NO	207825-5
OBSOLETE	2	.618	NO	YES	207825-4
OBSOLETE	2	.119	YES	YES	207825-3
OBSOLETE	2	.220	NO	YES	207825-2
	2	.119	NO	YES	207825-1

CONTACT FINISH	PERIPHERAL SEAL	THREADED INSERTS	PART NUMBER
A	SEAL	INSERTS	NUMBER

THIS DRAWING IS A CONTROLLED DOCUMENT.

DWN: R.LEE BG 7-1-91  
 CHK: W.G.LENKER 4-14-92  
 APVD: -  
 NAME: -

DIMENSIONS: INCHES  
 TOLERANCES UNLESS OTHERWISE SPECIFIED:  
 0 PLC ± -  
 1 PLC ± -  
 2 PLC ± -  
 3 PLC ± .005  
 4 PLC ± -  
 ANGLES ± -  
 FINISH: -  
 CONTACT: 2

PRODUCT SPEC: 108-10024  
 APPLICATION SPEC: -  
 WEIGHT: -  
 CUSTOMER DRAWING

**TE** TE Connectivity  
 RECEPTACLE ASSEMBLY, POSTED, STD SEX, SERIES 1, 11-4, CPC

SIZE: A2 CAGE CODE: 00779 DRAWING NO: C-207825 RESTRICTED TO: -  
 SCALE: 2:1 SHEET: 1 of 1 REV: S

# Mouser Electronics

Authorized Distributor

Click to View Pricing, Inventory, Delivery & Lifecycle Information:

[TE Connectivity:](#)

[207825-9](#)