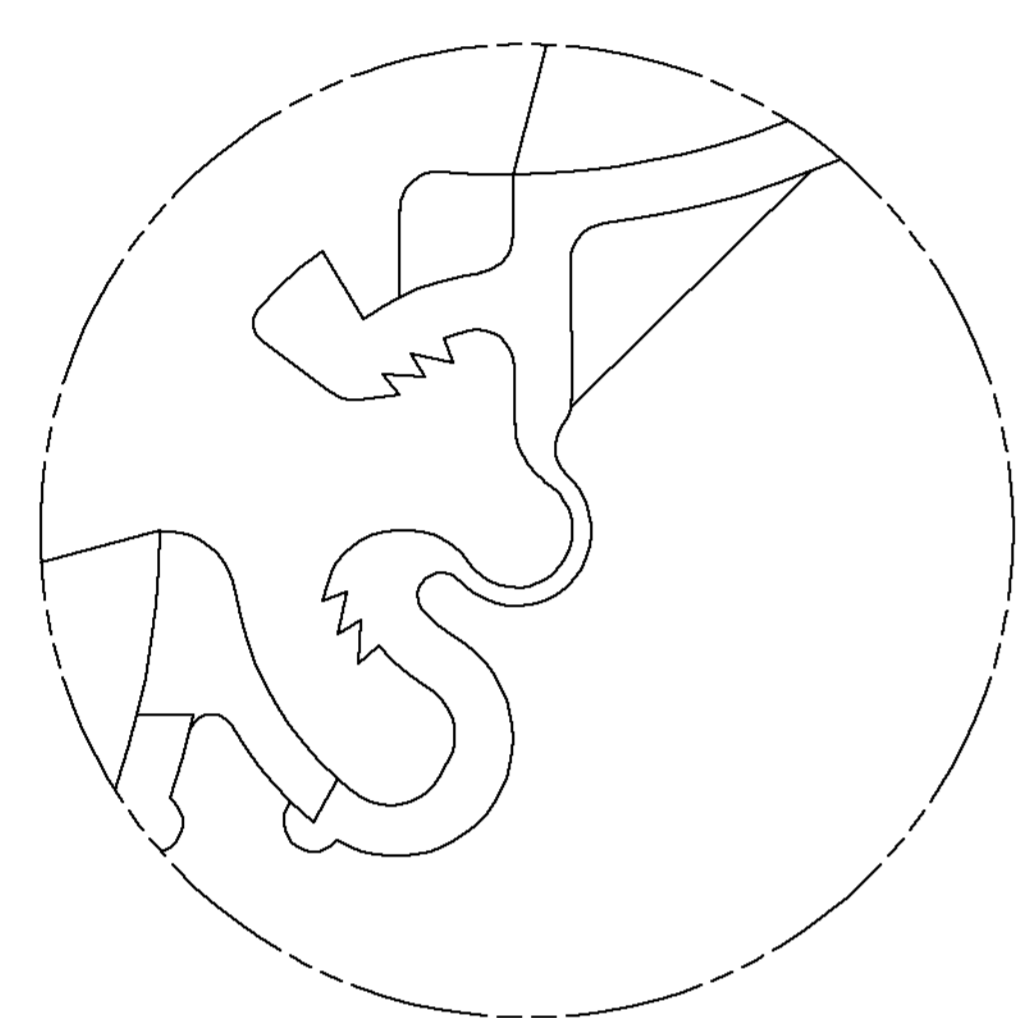
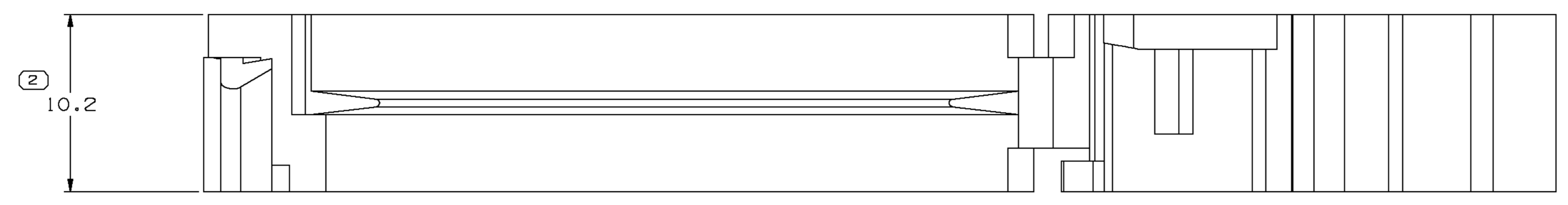
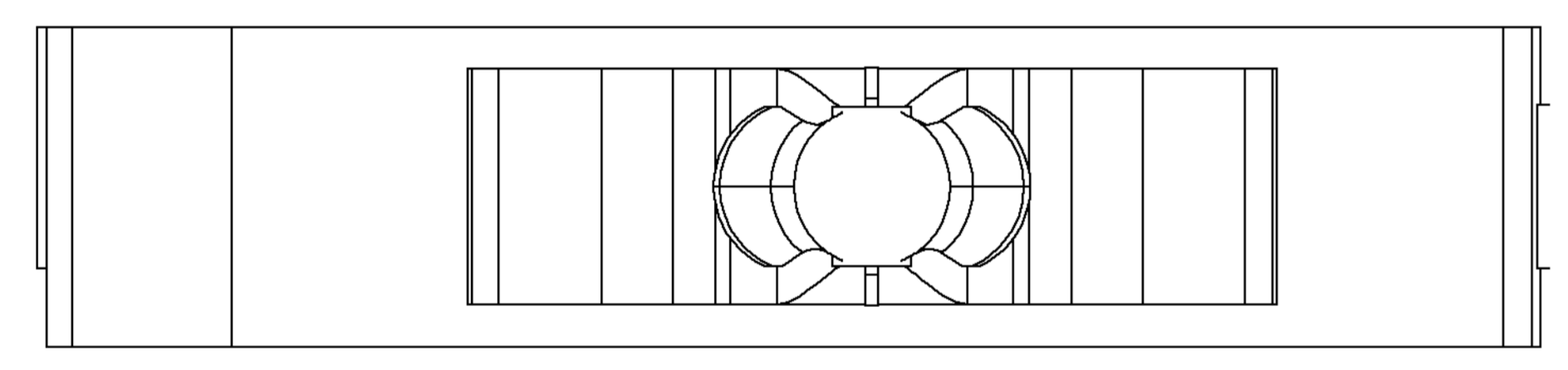


SYMBOL DEFINITION		MISSING SYMBOLS	
<p>A DIMENSION WITHOUT AN INSPECTION REPORT SYMBOL DOES NOT REQUIRE INSPECTION. IT MAY BE CONTROLLED ON THE INDIVIDUAL COMPONENT DRAWING.</p>	TOTAL NO OF INSPECTIONS REQUIRED	11	NO MISSING SYMBOL NUMBER
	LAST NO. USED	8	

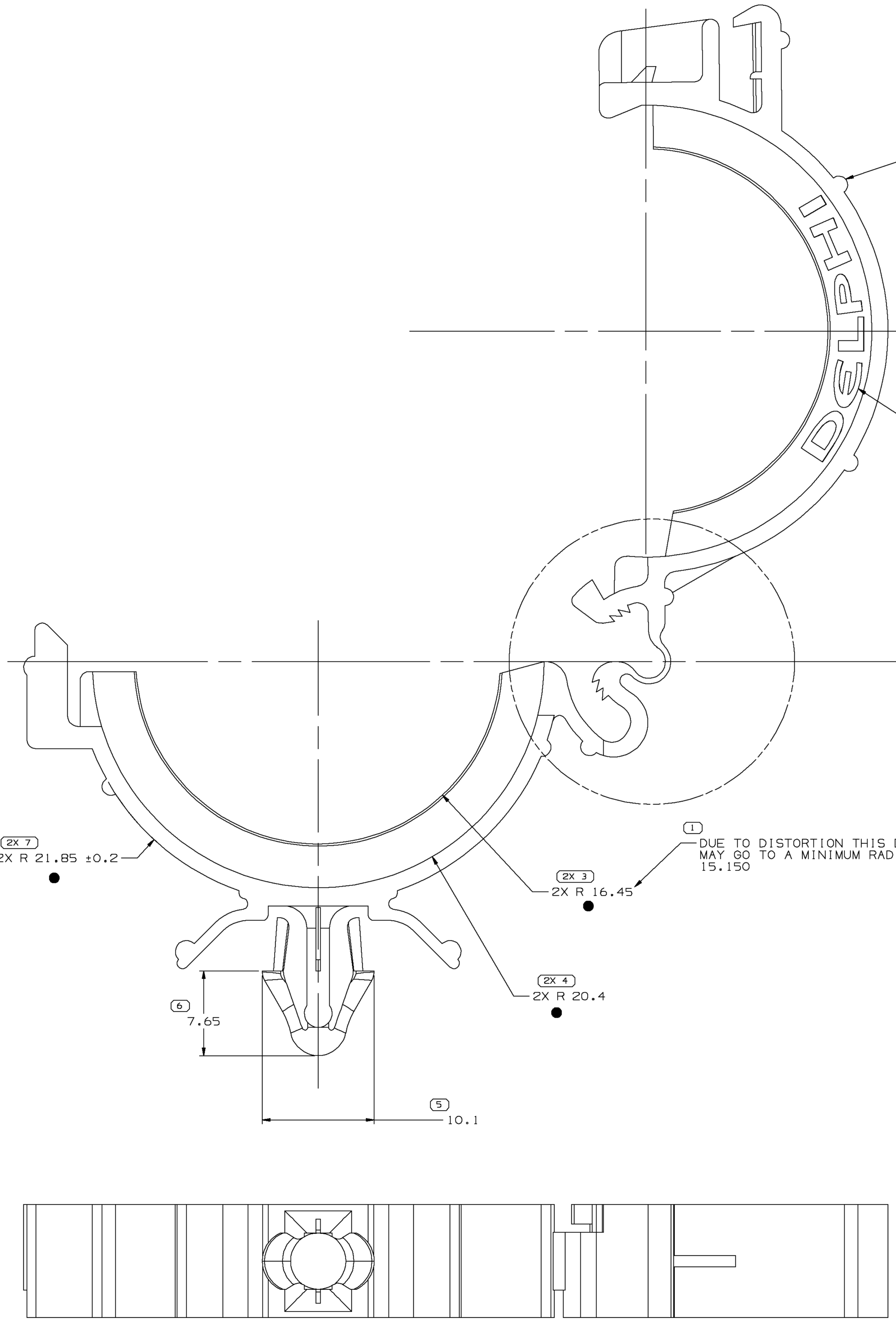
DWG STATUS				REVISION HISTORY				AUTH	DR	CK	APVD
DATE	STG	REV	CHK	N/P	ZONE						
17SE01	R	005	-	-	-			214384	P.G	P.L.G	ET



OPTIONAL CONSTRUCTION

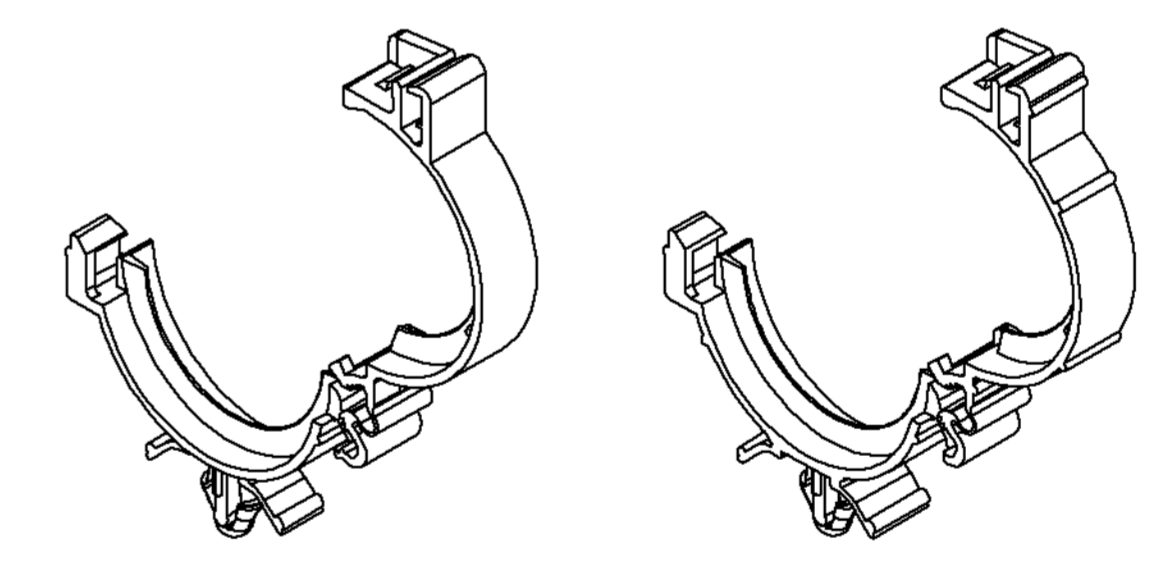


OPTIONAL CONSTRUCTION



EJECTOR PADS OPTIONAL AND PERMISSIBLE IN APPROXIMATE LOCATIONS AS SHOWN

(1.5)X(.1) RAISED LETTERS AS SHOWN. PED, DELPHI OPTIONAL, LOCATION OPTIONAL



NOTES

- UNLESS OTHERWISE SPECIFIED AND/OR INDICATED, DIMENSIONS ARE TO FACE OF VIEW SHOWN AND AUTOMATICALLY ROUNDED BY COMPUTER FOR INSPECTION (SEE MATH MODEL FOR PRECISE DIMENSIONS). FOR ALL OTHER DIMENSIONS NOT SHOWN BUT REQUIRED FOR TOOL BUILD, SEE MATH MODEL FOR PRECISE TOOL PATH DATA. ALL RADII 0.8 DRAFT IS 1° ON ALL OUTSIDE SURFACES
- THIS PART TO ACCEPT 30MM CONDUIT.
- RECOMMENDED HOLE SIZE FOR CLIP 6.1-6.6 DIA. HOLE IN 3.81 MAX. THICK STOCK.
- ANTI-RATTLE FEATURES ARE IDENTICAL
- DIMENSIONS MARKED WITH ● MAY VARY -0.60 DUE TO BOW.

<b>DELPHI</b> Automotive Systems			
MATERIAL SPEC R0071754 PA66 HS 1M BLK			
SUBSTANCES OF CONCERN AND RECYCLED CONTENT PER DELPHI-A 10949001			
PART DRAWING			DISTR CODE D
CODE NUMBER 6900	DWG DATE 100CB4	SCALE 4:1	
OC SPEC	STYLE	VOLUME cm³ 4.189	
PART GEOMETRY 3D SOLID	UNLESS OTHERWISE SPECIFIED: THIS DOCUMENT IS IN ACCORDANCE WITH ASME Y14.5M - 1994 AS AMENDED BY THE GM GLOBAL DIMENSIONING AND TOLERANCING ADDENDUM - 1997. ALL GEOMETRIC TOLERANCES AND RELATED DATUMS APPLY RFS. RULE #1 (PERFECT FORM AT MMC) DOES NOT APPLY WHEN RELATIONSHIP BETWEEN FEATURES IS ESTABLISHED BY ORIENTATION OR LOCATION TOLERANCES. SEPARATE POSITION CALLOUTS MAY BE GAGED SEPARATELY REGARDLESS OF DATUM REFERENCES.		
 CHANGE RESTRICTED NO MANUAL CHANGES	REFERENCE	DR	DATE
COPY OF MATH DATA DO NOT SCALE		APVD1 PETER GRIEHS	17SE01
		APVD2 PETER GRIEHS	17SE01
		APVD3 ERIC TRACEY	17SE01
		APVD4	
		APVD5	
METRIC UNLESS OTHERWISE SPECIFIED, ALL DIMENSIONS ARE IN MILLIMETERS	THIRD ANGLE PROJECTION	DRAWING NAME CLIP CNVLT CDT 30MM	

(2) PROCESS SENSITIVE DIMENSION	DIMENSIONAL RANGE (MM)		CHART E1
DIMENSIONS ENCLOSED IN [ ] INDICATE REFERENCE DIMENSIONS AND NO TOLERANCE LIMITS ARE ESTABLISHED	FROM	TO	
	0	> 20	> 30
	20	30	70
	100	150	200
	200	250	300
	300	400	
	TOLERANCE UNLESS OTHERWISE SPECIFIED		
	±0.15	±0.2	±0.3
	±0.4	±0.5	±0.6
	±0.8	±1.0	±1.2
	ANGULAR TOLERANCE ± 2'		

SHEET NUMBER 1 OF 1	DRAWING NUMBER 12048089	DWG STATUS R 005	SIZE A0
------------------------	----------------------------	---------------------	------------

# Mouser Electronics

Authorized Distributor

Click to View Pricing, Inventory, Delivery & Lifecycle Information:

[Aptiv:](#)

[12048089](#)