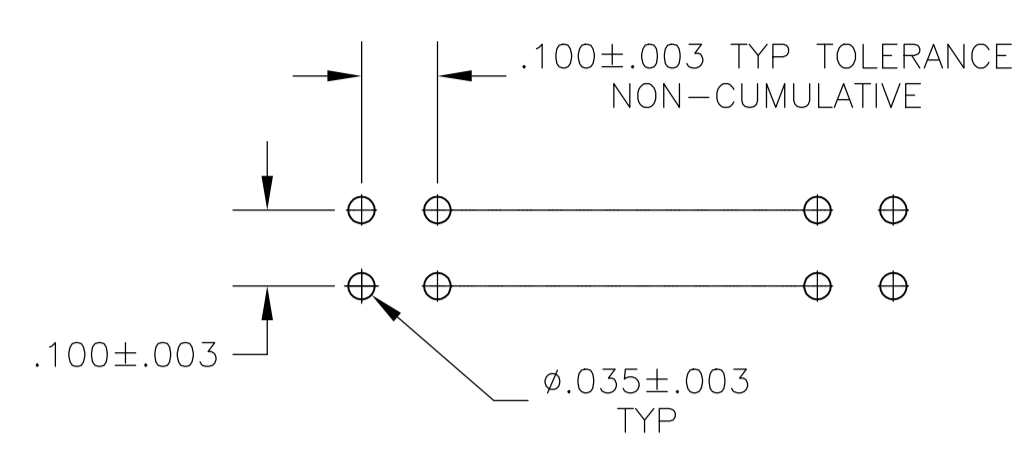
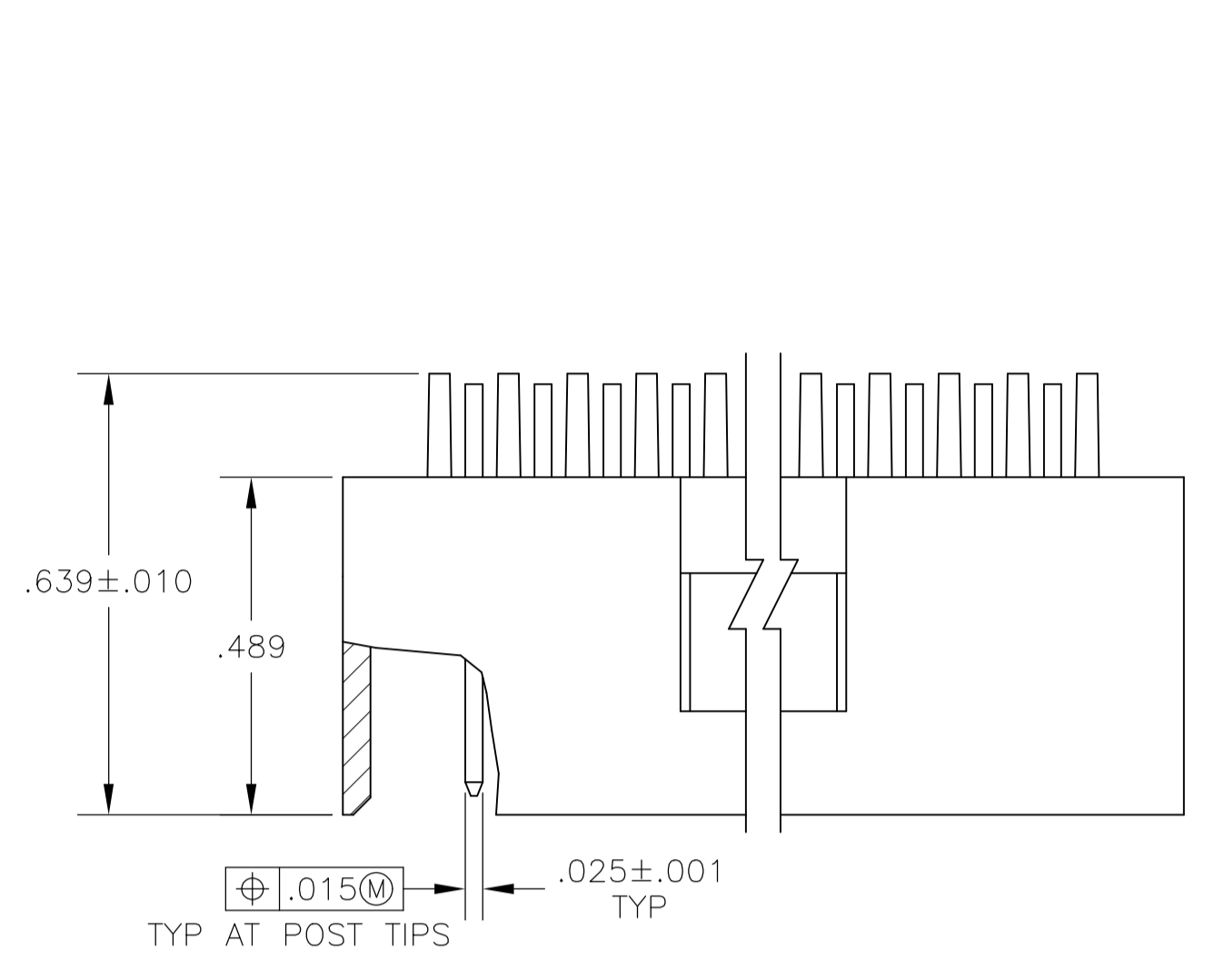
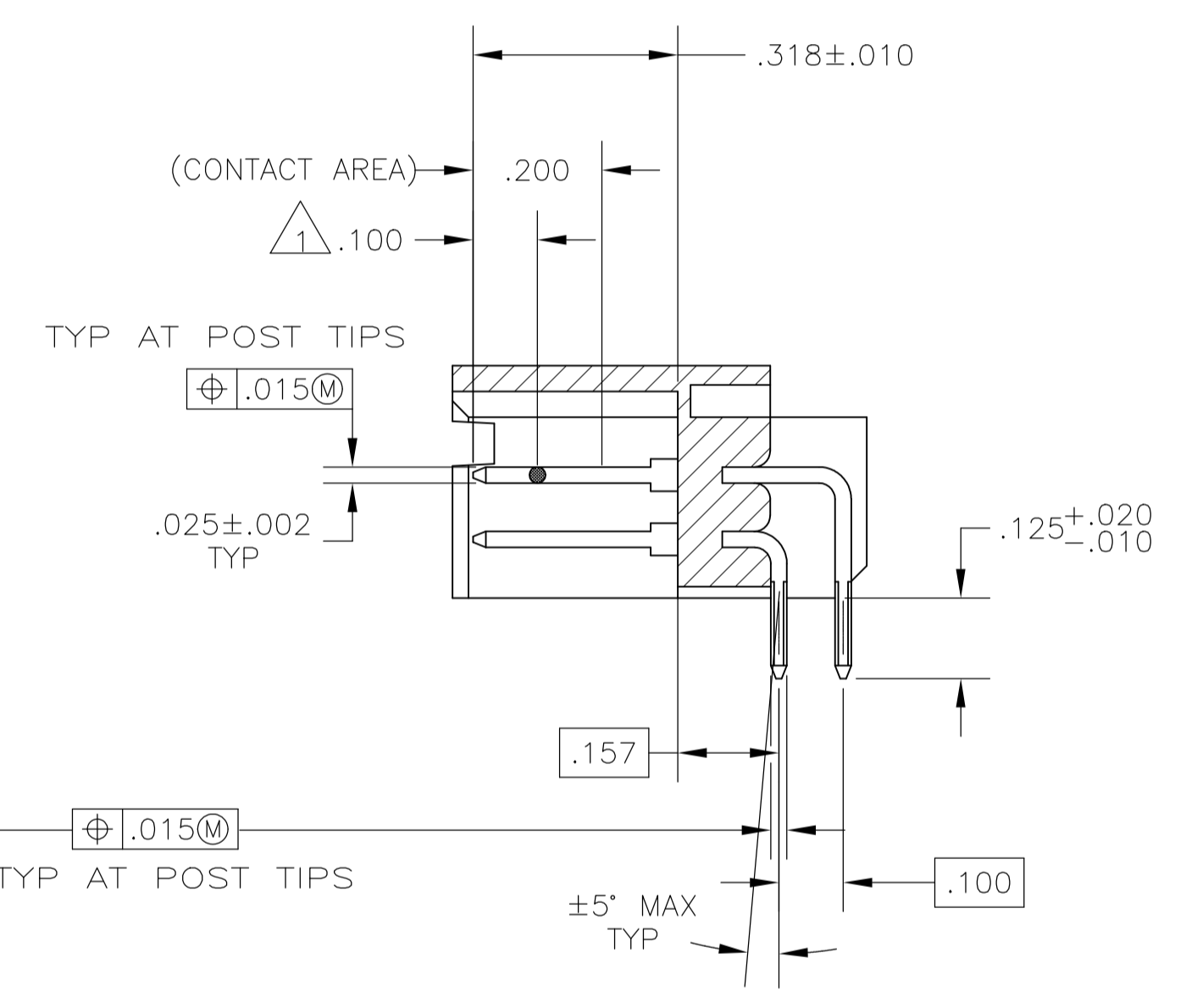
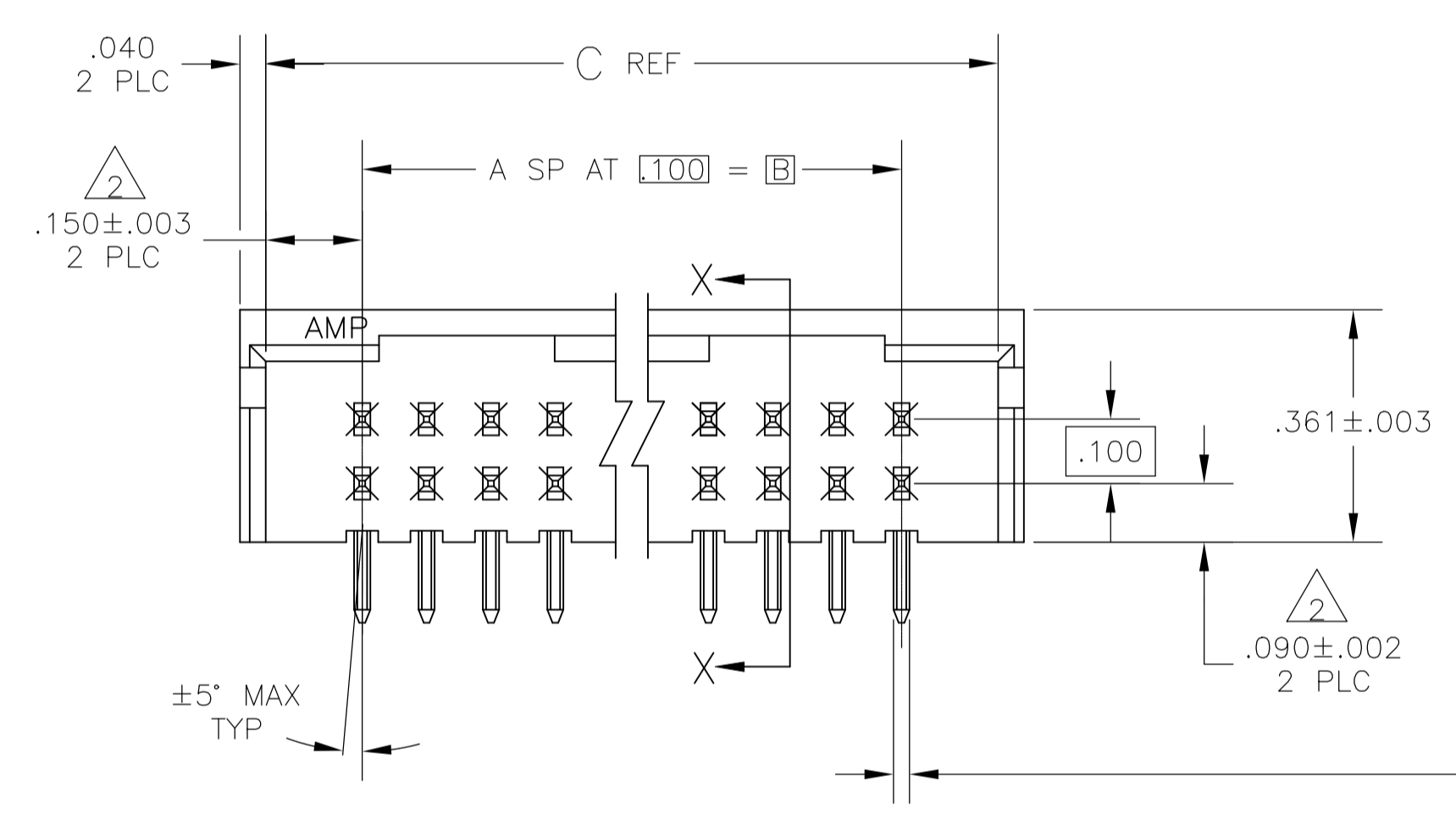


REVISIONS				
REV	DATE	BY	CHKD	APVD
K2	08FEB2018	SD	PS	



RECOMMENDED HOLE LAYOUT



SECTION X-X

- 1 POINT OF MEASUREMENT FOR PLATING THICKNESS.
- 2 THE NOTED DIMENSION APPLIES AT THE INTERSECTION OF THE POST AND HOUSING
- 3 OBSOLETE PART NUMBER
- 4 POSTS: .000015 GOLD IN CONTACT AREA, .000100-.000200 MATTE TIN-LEAD ON SOLDER TAIL, ALL OVER .000050 NICKEL.
- 5 POSTS: .000015 GOLD IN CONTACT AREA, .000100-.000200 MATTE TIN ON SOLDER TAIL, ALL OVER .000050 NICKEL.
- 6 OBSOLETE PARTS: OBSOLETE CIS STREAMLINING PER D.RENAUD/D.SINISI

REV	DATE	BY	CHKD	APVD	DESCRIPTION
6					OBSOLETE
5					OBSOLETE
4					OBSOLETE
3					OBSOLETE
2					OBSOLETE
1					OBSOLETE
0					OBSOLETE
6					OBSOLETE
5					OBSOLETE
4					OBSOLETE
3					OBSOLETE
2					OBSOLETE
1					OBSOLETE
0					OBSOLETE
6					OBSOLETE
5					OBSOLETE
4					OBSOLETE
3					OBSOLETE
2					OBSOLETE
1					OBSOLETE
0					OBSOLETE
6					OBSOLETE
5					OBSOLETE
4					OBSOLETE
3					OBSOLETE
2					OBSOLETE
1					OBSOLETE
0					OBSOLETE
6					OBSOLETE
5					OBSOLETE
4					OBSOLETE
3					OBSOLETE
2					OBSOLETE
1					OBSOLETE
0					OBSOLETE
6					OBSOLETE
5					OBSOLETE
4					OBSOLETE
3					OBSOLETE
2					OBSOLETE
1					OBSOLETE
0					OBSOLETE
6					OBSOLETE
5					OBSOLETE
4					OBSOLETE
3					OBSOLETE
2					OBSOLETE
1					OBSOLETE
0					OBSOLETE
6					OBSOLETE
5					OBSOLETE
4					OBSOLETE
3					OBSOLETE
2					OBSOLETE
1					OBSOLETE
0					OBSOLETE
6					OBSOLETE
5					OBSOLETE
4					OBSOLETE
3					OBSOLETE
2					OBSOLETE
1					OBSOLETE
0					OBSOLETE
6					OBSOLETE
5					OBSOLETE
4					OBSOLETE
3					OBSOLETE
2					OBSOLETE
1					OBSOLETE
0					OBSOLETE
6					OBSOLETE
5					OBSOLETE
4					OBSOLETE
3					OBSOLETE
2					OBSOLETE
1					OBSOLETE
0					OBSOLETE
6					OBSOLETE
5					OBSOLETE
4					OBSOLETE
3					OBSOLETE
2					OBSOLETE
1					OBSOLETE
0					OBSOLETE
6					OBSOLETE
5					OBSOLETE
4					OBSOLETE
3					OBSOLETE
2					OBSOLETE
1					OBSOLETE
0					OBSOLETE
6					OBSOLETE
5					OBSOLETE
4					OBSOLETE
3					OBSOLETE
2					OBSOLETE
1					OBSOLETE
0					OBSOLETE
6					OBSOLETE
5					OBSOLETE
4					OBSOLETE
3					OBSOLETE
2					OBSOLETE
1					OBSOLETE
0					OBSOLETE
6					OBSOLETE
5					OBSOLETE
4					OBSOLETE
3					OBSOLETE
2					OBSOLETE
1					OBSOLETE
0					OBSOLETE
6					OBSOLETE
5					OBSOLETE
4					OBSOLETE
3					OBSOLETE
2					OBSOLETE
1					OBSOLETE
0					OBSOLETE
6					OBSOLETE
5					OBSOLETE
4					OBSOLETE
3					OBSOLETE
2					OBSOLETE
1					OBSOLETE
0					OBSOLETE
6					OBSOLETE
5					OBSOLETE
4					OBSOLETE
3					OBSOLETE
2					OBSOLETE
1					OBSOLETE
0					OBSOLETE
6					OBSOLETE
5					OBSOLETE
4					OBSOLETE
3					OBSOLETE
2					OBSOLETE
1					OBSOLETE
0					OBSOLETE
6					OBSOLETE
5					OBSOLETE
4					OBSOLETE
3					OBSOLETE
2					OBSOLETE
1					OBSOLETE
0					OBSOLETE
6					OBSOLETE
5					OBSOLETE
4					OBSOLETE
3					OBSOLETE
2					OBSOLETE
1					OBSOLETE
0					OBSOLETE
6					OBSOLETE
5					OBSOLETE
4					OBSOLETE
3					OBSOLETE
2					OBSOLETE
1					OBSOLETE
0					OBSOLETE
6					OBSOLETE
5					OBSOLETE
4					OBSOLETE
3					OBSOLETE
2					OBSOLETE
1					OBSOLETE
0					OBSOLETE
6					OBSOLETE
5					OBSOLETE
4					OBSOLETE
3					OBSOLETE
2					OBSOLETE
1					OBSOLETE
0					OBSOLETE
6					OBSOLETE
5					OBSOLETE
4					OBSOLETE
3					OBSOLETE
2					OBSOLETE
1					OBSOLETE
0					OBSOLETE
6					OBSOLETE
5					OBSOLETE
4					OBSOLETE
3					OBSOLETE
2					OBSOLETE
1					OBSOLETE
0					OBSOLETE
6					OBSOLETE
5					OBSOLETE
4					OBSOLETE
3					OBSOLETE
2					OBSOLETE
1					OBSOLETE
0					OBSOLETE
6					OBSOLETE
5					OBSOLETE
4					OBSOLETE
3					OBSOLETE
2					OBSOLETE
1					OBSOLETE
0					OBSOLETE
6					OBSOLETE
5					OBSOLETE
4					OBSOLETE
3					OBSOLETE
2					OBSOLETE
1					OBSOLETE
0					OBSOLETE
6					OBSOLETE
5					OBSOLETE
4					OBSOLETE
3					OBSOLETE
2					OBSOLETE
1					OBSOLETE
0					OBSOLETE
6					OBSOLETE
5					OBSOLETE
4					OBSOLETE
3					OBSOLETE
2					OBSOLETE
1					OBSOLETE
0					OBSOLETE
6					OBSOLETE
5					OBSOLETE
4					OBSOLETE
3					OBSOLETE
2					OBSOLETE
1					OBSOLETE
0					OBSOLETE
6					OBSOLETE
5					OBSOLETE
4					OBSOLETE
3					OBSOLETE
2					OBSOLETE
1					OBSOLETE
0					OBSOLETE
6					OBSOLETE
5					OBSOLETE
4					OBSOLETE
3					OBSOLETE
2					OBSOLETE
1					OBSOLETE
0					OBSOLETE
6					OBSOLETE
5					OBSOLETE
4					OBSOLETE
3					OBSOLETE
2					OBSOLETE
1					OBSOLETE
0					OBSOLETE
6					OBSOLETE
5					OBSOLETE
4					OBSOLETE
3					OBSOLETE
2					OBSOLETE
1					OBSOLETE
0					OBSOLETE
6					OBSOLETE
5					OBSOLETE
4					OBSOLETE
3					OBSOLETE
2					OBSOLETE
1					OBSOLETE
0					OBSOLETE
6					OBSOLETE
5					OBSOLETE
4					OBSOLETE
3					OBSOLETE
2					OBSOLETE
1					OBSOLETE
0					OBSOLETE
6					OBSOLETE
5					OBSOLETE
4					OBSOLETE
3					OBSOLETE
2					OBSOLETE
1					OBSOLETE
0					OBSOLETE
6					OBSOLETE
5					OBSOLETE
4					OBSOLETE
3					OBSOLETE
2					OBSOLETE
1					OBSOLETE
0					OBSOLETE
6					OBSOLETE
5					OBSOLETE
4					OBSOLETE
3					OBSOLETE
2					OBSOLETE
1					OBSOLETE
0					OBSOLETE
6					OBSOLETE
5					OBSOLETE
4					OBSOLETE
3					OBSOLETE
2					OBSOLETE
1					OBSOLETE
0					OBSOLETE
6					OBSOLETE
5					OBSOLETE
4					OBSOLETE
3					OBSOLETE
2					OBSOLETE
1					OBSOLETE
0					OBSOLETE
6					OBSOLETE
5					OBSOLETE
4					OBSOLETE
3					OBSOLETE
2					OBSOLETE
1					OBSOLETE
0					OBSOLETE
6					OBSOLETE
5					OBSOLETE
4					OBSOLETE
3					OBSOLETE
2					OBSOLETE
1					OBSOLETE
0					OBSOLETE
6					OBSOLETE
5					OBSOLETE
4					

Mouser Electronics

Authorized Distributor

Click to View Pricing, Inventory, Delivery & Lifecycle Information:

[TE Connectivity:](#)

[102620-1](#)