

4

3

2

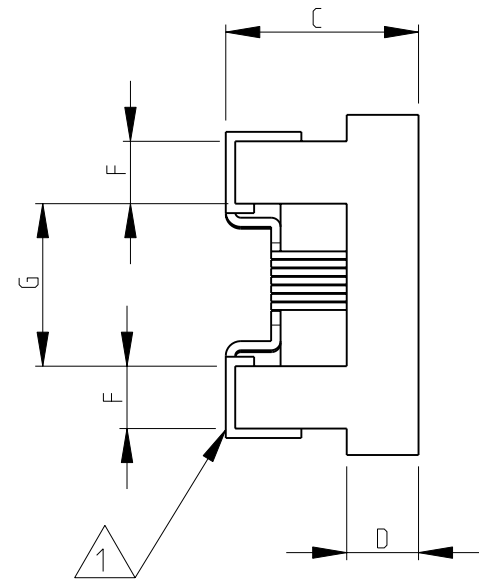
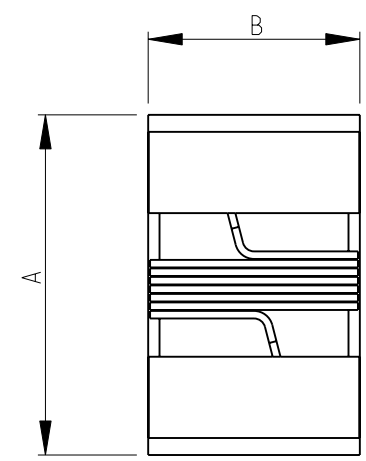
1

THIS DRAWING IS UNPUBLISHED. RELEASED FOR PUBLICATION 2008
 © COPYRIGHT 2008 BY - ALL RIGHTS RESERVED.

LOC	DIST	REVISIONS				
P	LTR	DESCRIPTION	DATE	DWN	APVD	
E	B	BA1	REVISED PER ECO-11-005150	29MAR2011	RK HMR	

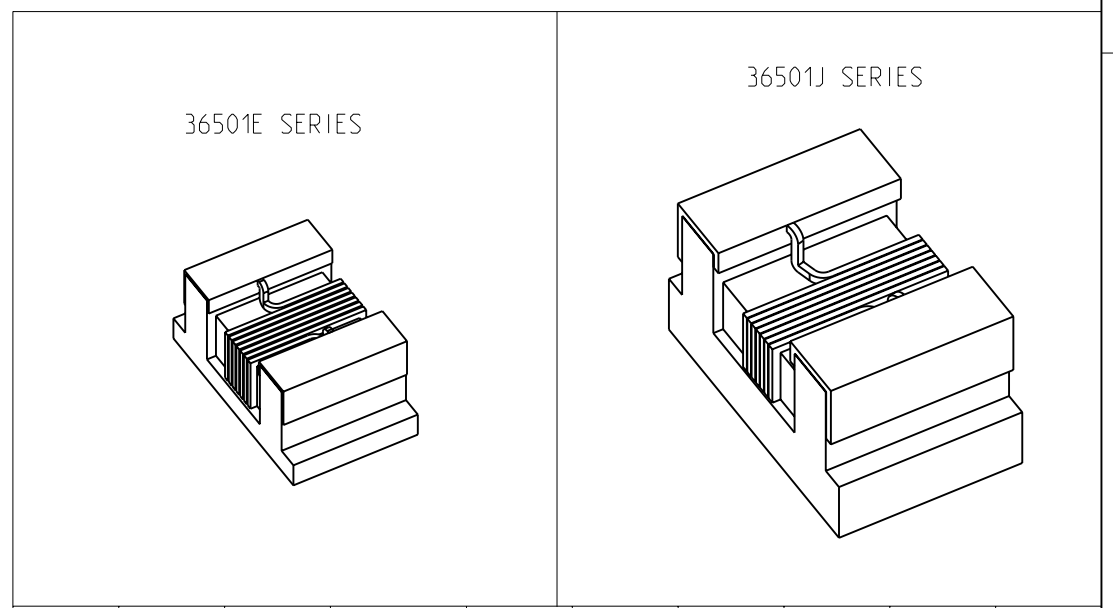
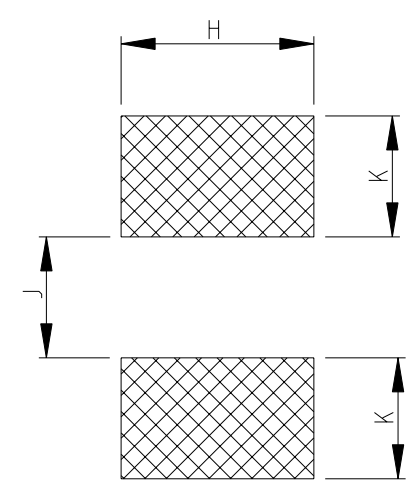
SERIES 36501J, 36501E AS SHOWN

- 1 TERMINAL WRAPAROUND: 0.007"(0.18mm) APPROX. ON BOTH ENDS
- 2 AVAILABLE IN 2 DIFFERENT SERIES
- 3 FOR FURTHER INFORMATION SEE DATA SHEET FOR 3650 SERIES-LOW INDUCTANCE,HIGH FREQUENCY CHIP INDUCTOR


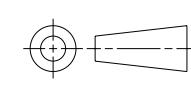


RoHS Compliant

RECOMMENDED LAND PATTERN FOR 36501J, 36501E SERIES



	A MAX.	B MAX.	C MAX.	D REF.	F	G	H	K	J
36501E	1.27	0.76	0.61	0.15	0.23	0.56	0.66	0.50	0.46
36501J	1.80	1.12	1.02	0.38	0.33	0.86	1.02	0.64	0.64

THIS DRAWING IS A CONTROLLED DOCUMENT.		DWN	SUBHASH.M 14-NOV-08		 TE Connectivity
DIMENSIONS: mm		CHK	PRAKASH.S 14-NOV-08		
		APVD	STEPHEN.P 14-NOV-08		
TOLERANCES UNLESS OTHERWISE SPECIFIED:		PRODUCT SPEC		NAME	
0 PLC ± 0.2		-		LOW INDUCTANCE, HIGH FREQUENCY CHIP INDUCTOR SERIES 3650	
1 PLC ± 0.1		APPLICATION SPEC		SIZE	
2 PLC ± -		-		CAGE CODE	
3 PLC ± -		WEIGHT		DRAWING NO	
4 PLC ± -		-		RESTRICTED TO	
ANGLES ± - ± 5°		-		A3 00779	
MATERIAL -		-		© 1624112	
FINISH -		CUSTOMER DRAWING		SCALE 20:1	
				SHEET 1 OF 1	
				REV BA1	

Mouser Electronics

Authorized Distributor

Click to View Pricing, Inventory, Delivery & Lifecycle Information:

[TE Connectivity:](#)

[36501J1N6JTDG](#)