

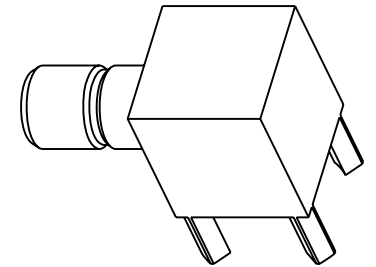
NOTES:

1. MATERIALS AND FINISHES:
 CUBE BODY - BRASS, TIN PLATING (.000200 THICK)
 BODY - BRASS, GOLD PLATING (.000030 THICK)
 MALE CONTACT - BeCu, GOLD PLATING (.000030 THICK)
 INSULATORS (2) - PTFE
2. ELECTRICAL:
 A. IMPEDANCE: 75 OHM
 B. FREQUENCY RANGE: DC - 2 GHz
 C. DIELECTRIC WITHSTANDING VOLTAGE: 1000 VRMS, MIN.
3. MECHANICAL:
 A. DURABILTIY: 500 CYCLES MIN.
 B. TEMERATURE RANGE: 65° C TO 165° C
4. PACKAGING:
 A. QUANTITY: SINGLE PACK
 B. MARKING: BAG TO BE MARKED
 "AMPHENOL, 903-601J-71P, AND DATE CODE"

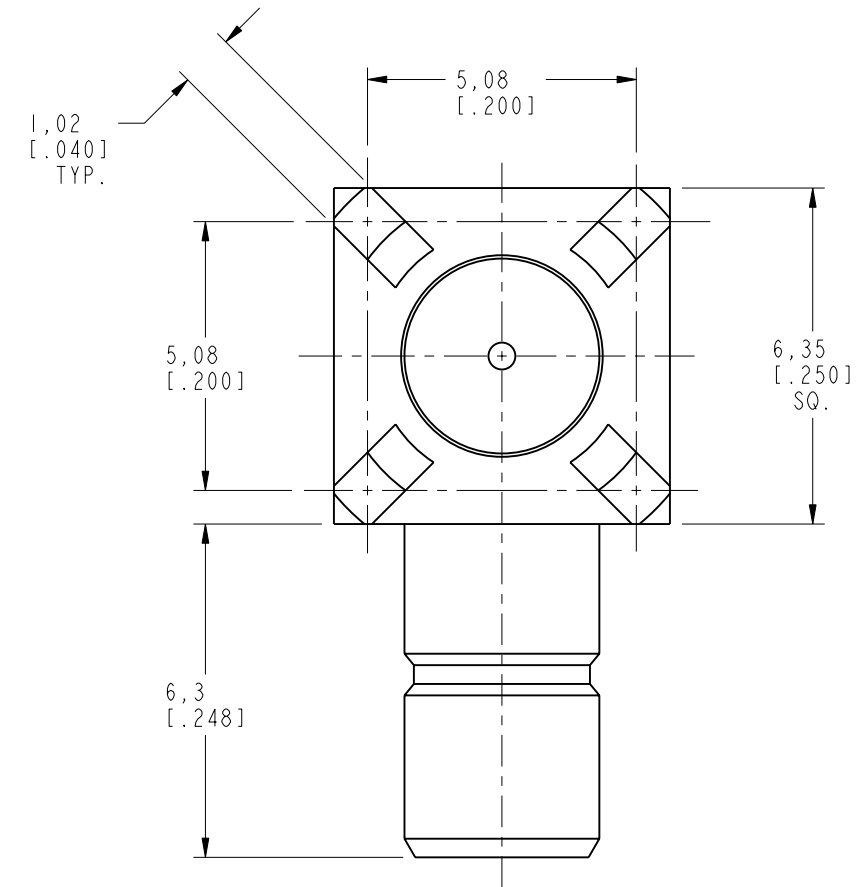
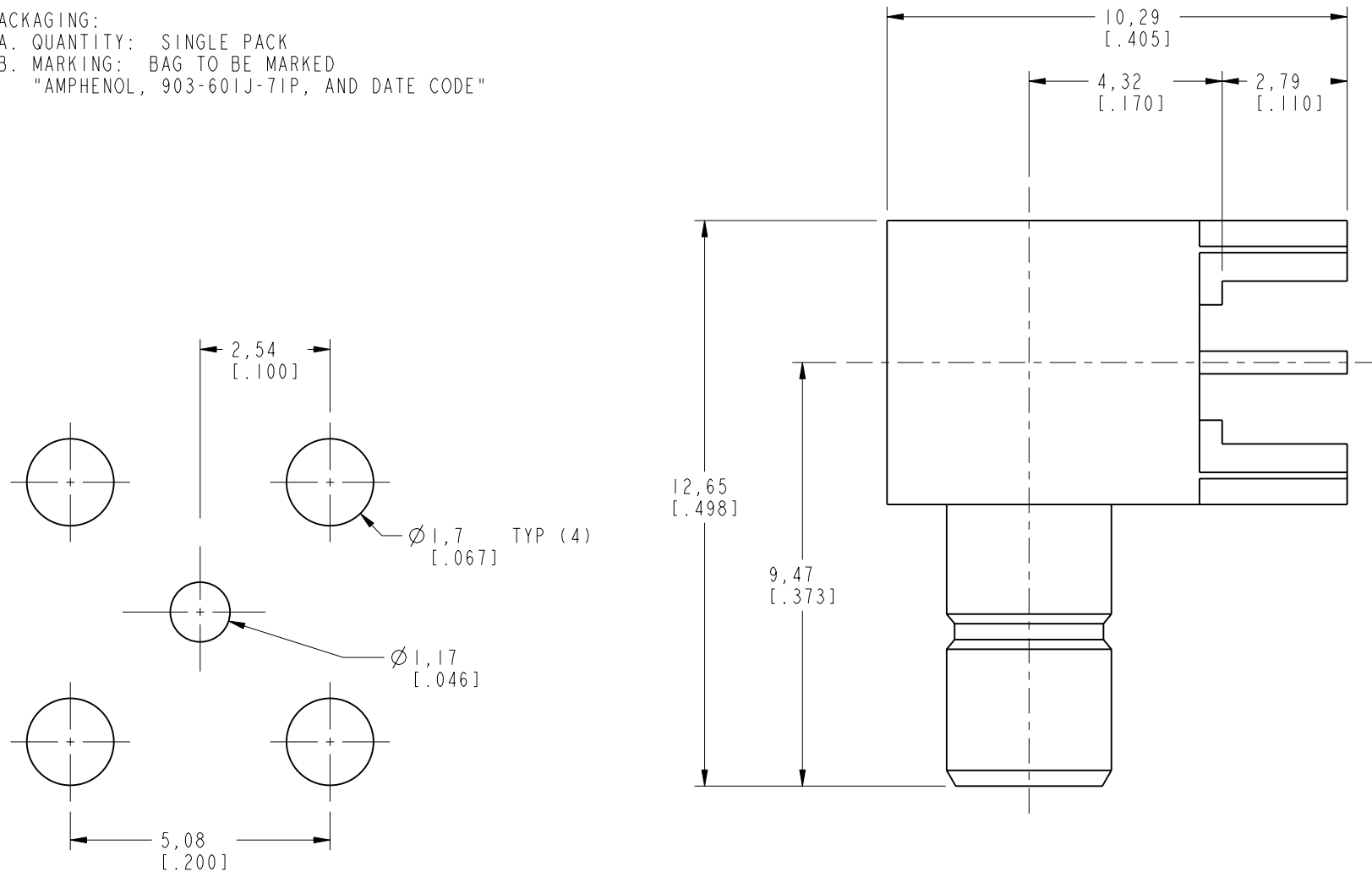
THIRD ANGLE PROJ.

REVISIONS

REV	DESCRIPTION	DATE	ECO	APPR
A	RELEASE TO MFG.	3/29/01	43711	CPM
B	ITEM 3 WAS 903-10500-TC	2/4/05	45292	KJC
C	ADD METRIC DIMENSIONS	07-Sep-12	49249	RM



SCALE 3.000



RECOMMENDED PCB MOUNTING HOLES

SCALE 8.000

CUSTOMER OUTLINE DRAWING

ALL OTHER SHEETS ARE FOR INTERNAL USE ONLY

UNLESS OTHERWISE SPECIFIED, DIMENSIONS ARE IN INCHES AND TOLERANCES ARE: 2 PLACE DECIMAL 3 PLACE DECIMAL ANGLES $\pm .015$ (0,381 mm) $\pm .005$ (0,127 mm) $\pm 1^\circ$	MATERIAL -	DRAWN R. MAO	DATE 03-Sep-12	TITLE MINI-75 OHM SMB RIGHT ANGLE JACK PC MOUNT	Amphenol RF www.amphenolrf.com
	NOTICE - These drawings, specifications, or other data (1) are, and remain the property of Amphenol corp. (2) must be returned upon request; and (3) are confidential and not to be disclosed to any person other than those to whom they are given by Amphenol Corp. the furnishing of these drawings, specifications, or other data by Amphenol Corp., or to any other person to anyone for any purpose is not to be regarded by implication or otherwise in any manner licensing, granting rights to permitting such holder or any other person to manufacture, use or sell any product, process or design, patented or otherwise, that may in any way be related to or disclosed by said drawings, specifications, or other data.	REFERENCE EAR 164 GEN# ASSYF15-SMB 615X-1638-100	ENGINEER P. BRENZEL		
	FINISH	APPROVED S. HSIEH	DATE 07-Sep-12	SCALE: 7.0:1.0 SHEET 2 OF 2	ITEM NO. 903-601J-71P
		CAD FILE		DWG SIZE B REV C	PART NO. 903-601J-71P

Mouser Electronics

Authorized Distributor

Click to View Pricing, Inventory, Delivery & Lifecycle Information:

[Amphenol:](#)

[903-601J-71P](#)