

THIS DRAWING IS UNPUBLISHED.

RELEASED FOR PUBLICATION

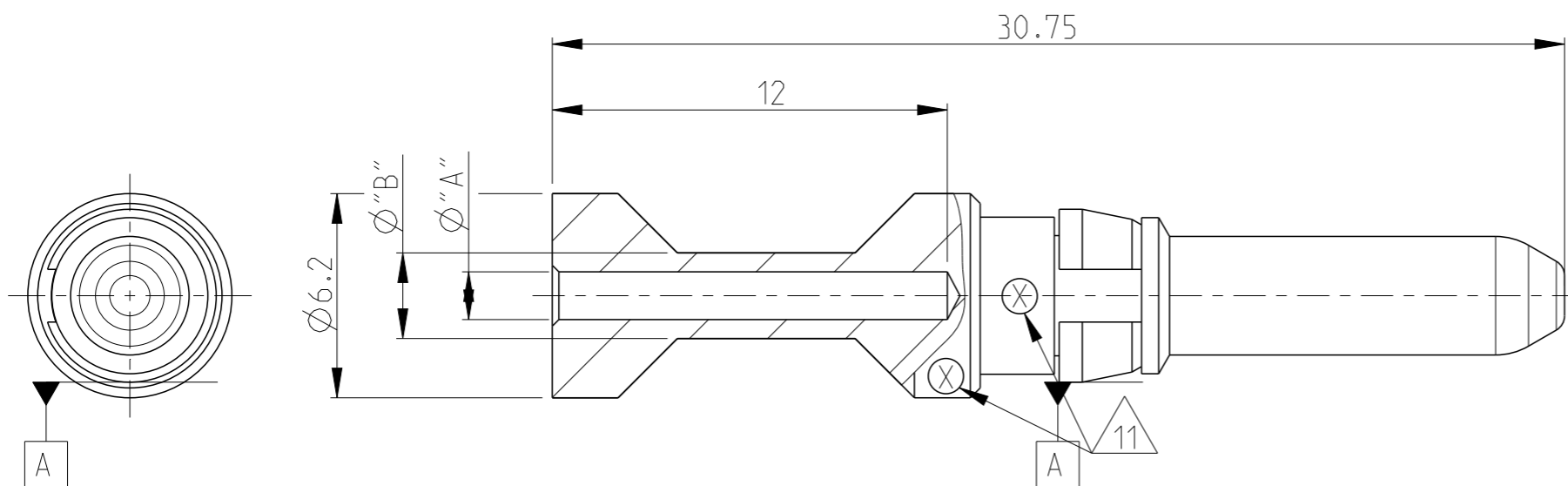
2006

© COPYRIGHT 2006 BY -

ALL RIGHTS RESERVED.

REVISIONS

| P | LTR | DESCRIPTION | DATE | DWN | APVD |
|----|-----|--------------------------|--------------|-----------|---------|
| A2 | | PN3-2; 5-2; 6-2 OBSOLETE | Eg00-1426-03 | 17.04.03 | SR SM |
| A3 | | ECR-09-005436 | | 10MAR2010 | VG MH |
| A4 | | ECR-16-016696 | | 23AUG2017 | GCM MKO |



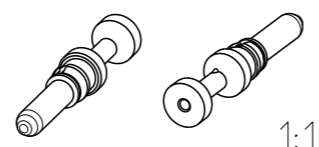
Notes

- 1 MATERIAL: BRASS
- 2 FINISH SILVER PLATING: 2 µm Ag MIN. OVER Cu
- 3 FINISH GOLD PLATING: 0.75 µm Au MIN. OVER Ni
- 4 NO VENTILATION HOLE REQUIRED AT CROSS-SECTION >4.0 MM²
- 5 WEIGHT: 3.33 g, VOLUME: 394mm³ (APPROX.)
- 6 SUITABLE SOCKET CONTACT: CUSTOMER DRAWING 1105251
- 7 SUITABLE INSERTS: SERIES HSM, CUSTOMER DRAWING
- 8 SUITABLE CRIMP TOOL: PN 1-1105850-8
- 9 SUITABLE INSERTION TOOL: PN 0-1102855-6
- 10 SUITABLE EXTRACTION TOOL: PN 0-1102855-4
- 11 CROSS-SECTION MARKING
- 12 STANDARDS: DIN EN 61984, DIN EN 60664-1

| | | | | | | | |
|----------|----------------------------------|-----------|---------------|--------------------|------|------------------------|------------------------|
| OBSOLETE | HSM.Sti.C.Au 10.0mm ² | GOLD 3 | 10 | 4.35 | 5.9 | 8 | 12 |
| OBSOLETE | HSM.Sti.C.Au 6.0mm ² | | 6.0 | 3.5 | 4.9 | 7 | 12 |
| OBSOLETE | HSM.Sti.C.Au 4.0mm ² | | 4.0 | 2.85 | 3.9 | 6 | 12 |
| OBSOLETE | HSM.Sti.C.Au 2.5mm ² | | 2.5 | 2.2 | 3.2 | 5 | 12 |
| OBSOLETE | HSM.Sti.C.Au 1.5mm ² | | 1.5 | 1.8 | 3.0 | 4 | 12 |
| OBSOLETE | HSM.Sti.C.Au 0.75mm ² | | 0.75-1.0 | 1.45 | 2.6 | 3 | 12 |
| | HSM.Sti.C.Ag 10.0mm ² | | SILBER 2 | 10 | 4.35 | 5.9 | 8 |
| | HSM.Sti.C.Ag 6.0mm ² | 6.0 | | 3.5 | 4.9 | 7 | 12 |
| | HSM.Sti.C.Ag 4.0mm ² | 4.0 | | 2.85 | 3.9 | 6 | 12 |
| | HSM.Sti.C.Ag 2.5mm ² | 2.5 | | 2.2 | 3.2 | 5 | 12 |
| | HSM.Sti.C.Ag 1.5mm ² | 1.5 | | 1.8 | 3.0 | 4 | 12 |
| | HSM.Sti.C.Ag 0.75mm ² | 0.75-1.0 | | 1.45 | 2.6 | 3 | 12 |
| | | | | [MM ²] | "A" | "B" | CROSS-SECTION MARKINGS |
| | ORDERING TEXT | PLATING | CROSS SECTION | DIMENSIONS | | CROSS-SECTION MARKINGS | STRIPPING-LENGTH |

PARTS LIST

| | | | | | | | |
|---|--|-----------------------------|---------------------|---------|-----------------|----------------------|-----------------|
| THIS DRAWING IS A CONTROLLED DOCUMENT. | | DWN V.GLUMM 10MAR2010 | TE Connectivity | | | | |
| DIMENSIONS: mm | | CHK H.BRAUN 10MAR2010 | | | | | |
| TOLERANCES UNLESS OTHERWISE SPECIFIED: | | APVD T.SCHNURPFIL 10MAR2010 | | | | | |
| 0 PLC ± 1 PLC ± 2 PLC ± 3 PLC ± 4 PLC ± ANGLES ±0.5° | | NAME PIN CONTACT SERIES HSM | | | | | |
| MATERIAL 1 | | FINISH 2 3 | PRODUCT SPEC | SIZE A3 | CAGE CODE 00779 | DRAWING NO C=1105250 | RESTRICTED TO - |
| CUSTOMER DRAWING | | SCALE 5:1 | SHEET 1 OF 1 | | REV A4 | | |



Mouser Electronics

Authorized Distributor

Click to View Pricing, Inventory, Delivery & Lifecycle Information:

[TE Connectivity:](#)

[6-1105250-1](#)