

- MATERIAL: PCT, COLOR- BROWN.
- UPPER & LOWER CONTACT MATERIAL: PHOSPHOR BRONZE PER CDA C51100. FASTENER MATERIAL: BRASS
- CONTACT FINISH:
ON MATING SURFACES-
0.00076 [.000030] MIN GOLD PLATE OVER
0.00127 [.000050] MIN NICKEL.
ON SOLDER LEADS-
0.00254 [.000100] MIN TIN OVER 0.00127 [.000050] MIN NICKEL
- PART NUMBER AND DATE CODE MARKED ON THIS SURFACE.
- CONTACT AREA LUBRICATED WITH BELLCORE APPROVED LUBRICANT. TECHNICAL REFERENCE GR-1217-CORE. ISSUE 1, NOVEMBER 1995.

83.69 [3.295]	83.95-84.20 [3.305-3.315]	61	66.17 [2.605]	66.42-66.68 [2.615-2.625]	47	155.35 [6.116]	84.25-84.40 [3.317-3.323]	66.73-66.88 [2.627-2.633]	66.81 [2.630]	4.44-4.95 [.175-.195]	3.56-4.06 [.140-.160]	440	110	2110070-2
48.13 [1.895]	48.39-48.64 [1.905-1.915]	33	38.23 [1.505]	38.48-38.74 [1.515-1.525]	25	91.85 [3.616]	48.69-48.84 [1.917-1.923]	38.79-38.94 [1.527-1.533]	38.86 [1.530]	4.44-4.95 [.175-.195]	3.56-4.06 [.140-.160]	240	60	2110070-1
RC	RB	RA	LC	LB	LA	W	V	U	T	S	L	NO. OF TOTAL POSN	NO. OF QUAD POSN	PART NUMBER

THIS DRAWING IS A CONTROLLED DOCUMENT.

DIMENSIONS: mm	TOLERANCES UNLESS OTHERWISE SPECIFIED:	DIN G. ATTADIA/LA. MAYER 15JAN2008	APVD S. FLICKINGER 15JAN2008	NAME S. FLICKINGER	NAME S. FLICKINGER
0 PLC ± -	1 PLC ± .13 [.005]	2 PLC ± .13 [.005]	3 PLC ± .13 [.005]	4 PLC ± .13 [.005]	ANGLES ± 3°
MATERIAL SEE NOTE 1	FINISH SEE NOTE 3	WEIGHT -	SIZE A1	SCALE 4:1	SHEET 1 OF 2
CUSTOMER DRAWING		SCALE 4:1		SHEET 1 OF 2	

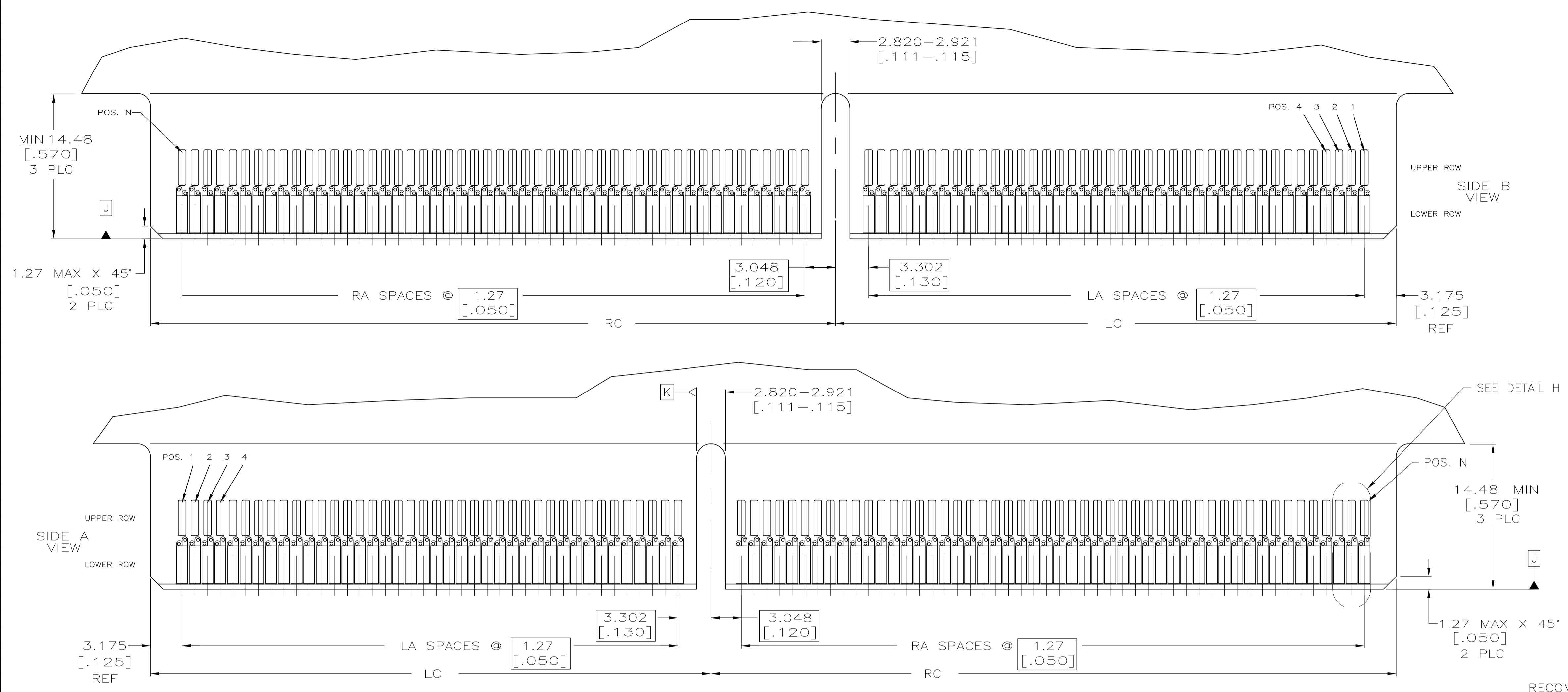
Tyco Electronics Corporation
Harrisburg, Pa 17105-3608

CONNECTOR ASSEMBLY, SEC-Z (FOR .062 DAUGHTER BOARD)

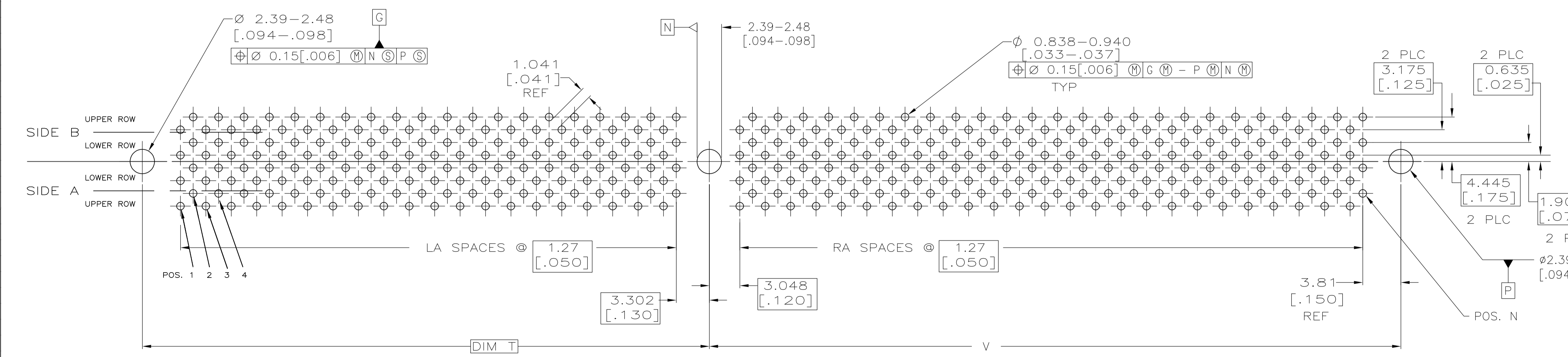
108-1863

2110070

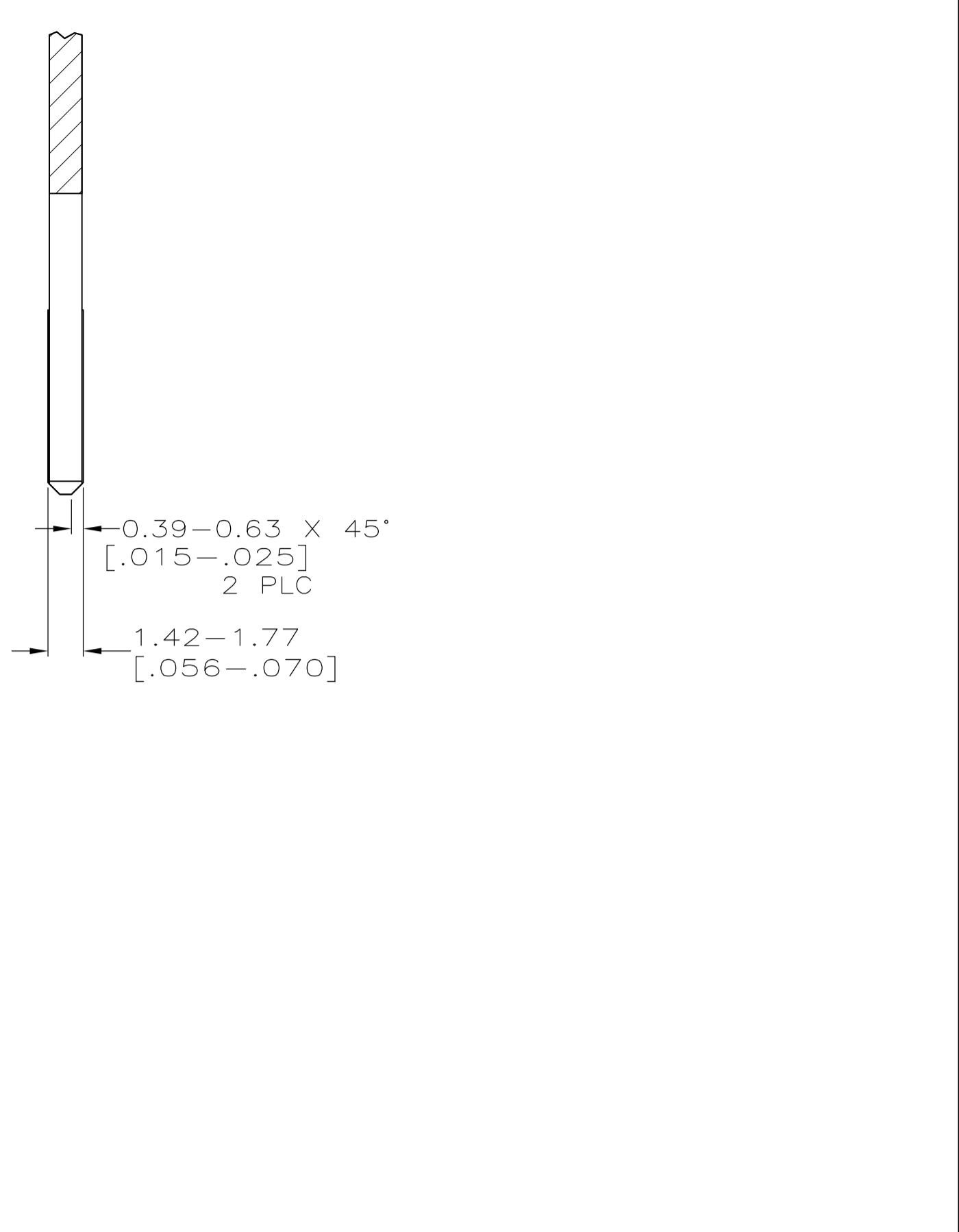
LOC		DIST		REVISIONS				
AA	00	P	LTR	DESCRIPTION	DATE	DN	APVD	
				SEE SHEET 1				



RECOMMENDED FREE BOARD EDGE CONFIGURATION



RECOMMENDED FIXED BOARD CONFIGURATION
 (CONNECTOR SIDE SHOWN)



DETAIL H
 SCALE: 10 : 1

THIS DRAWING IS A CONTROLLED DOCUMENT.		DIN G. ATTADIA/LA. MAYER	01-27-05	Tyco Electronics	Tyco Electronics Corporation Harrisburg, Pa 17105-3608	
DIMENSIONS: mm		CIK P. RECCE	15JAN2008		NAME	CONNECTOR ASSEMBLY, SEC-Z (FOR .062 DAUGHTER BOARD)
TOLERANCES UNLESS OTHERWISE SPECIFIED:		APVD S. FLICKINGER		PRODUCT SPEC	108-186.3	
0 PLC ± -		1 PLC ± -		APPLICATION SPEC	SIZE CAGE CODE DRAWING NO RESTRICTED TO	
1 PLC ± -		2 PLC ± -		WEIGHT	A1 00779 C=2110070	
2 PLC ± -		3 PLC ± -		CUSTOMER DRAWING	SCALE 4:1 SHEET 2 OF 2 REV A	
3 PLC ± -		4 PLC ± -				
4 PLC ± -		ANGLES ± °				
MATERIAL -		FINISH -				

Mouser Electronics

Authorized Distributor

Click to View Pricing, Inventory, Delivery & Lifecycle Information:

[TE Connectivity:](#)

[2110070-2](#)