

4

3

2

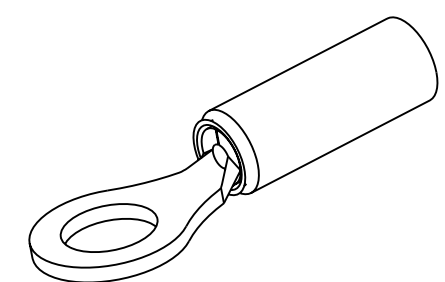
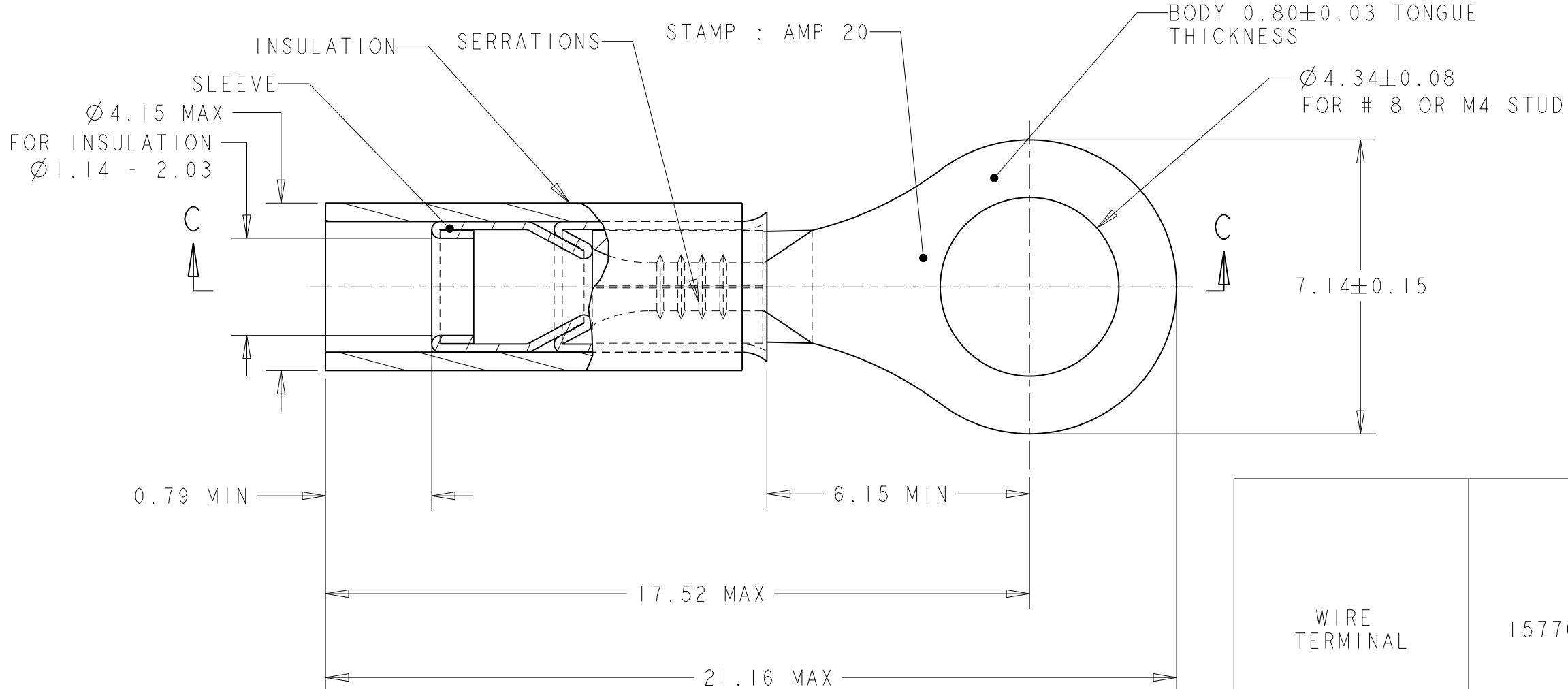
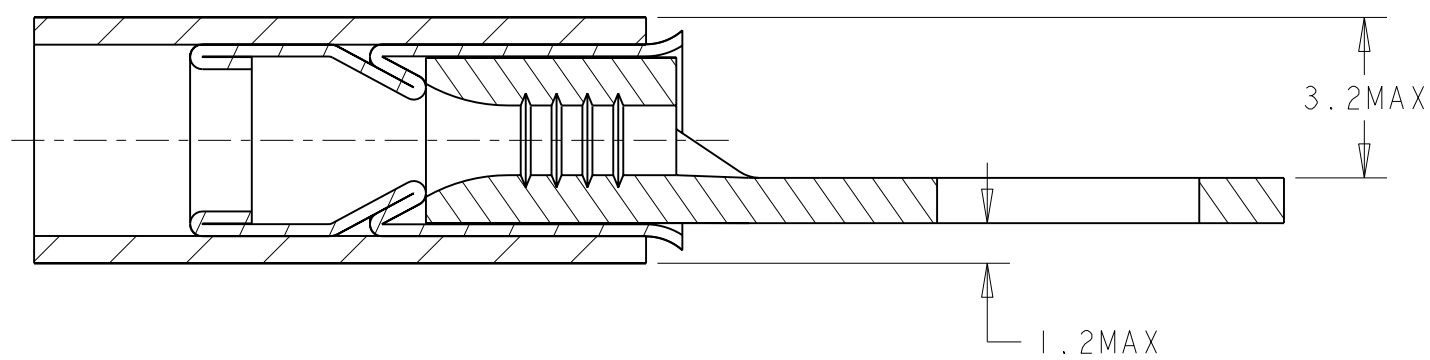
1

THIS DRAWING IS UNPUBLISHED. RELEASED FOR PUBLICATION 20  
© COPYRIGHT 20 BY TYCO ELECTRONICS CORPORATION. ALL RIGHTS RESERVED.

LOC F DIST 00

REVISIONS					
P	LTR	DESCRIPTION	DATE	DWN	APVD
	B	ECR 07-025006	24OCT2007	JT	GR

COUPE C-C



SCALE 3:1

WIRE TERMINAL	1577623-1	BODY : COPPER ANNEALED FINISH : NICKEL PLATED
		SLEEVE : COPPER ANNEALED FINISH : NICKEL PLATED
		INSULATION : PEEK COLOR : GREY
DESCRIPTION	PART NUMBER	MATERIAL & FINISH

THIS DRAWING IS A CONTROLLED DOCUMENT FOR TYCO ELECTRONICS CORPORATION IT IS SUBJECT TO CHANGE AND THE CONTROLLING ENGINEERING ORGANIZATION SHOULD BE CONTACTED FOR THE LATEST REVISION.

DIMENSIONS: mm		TOLERANCES UNLESS OTHERWISE SPECIFIED:	
		0 PLC ±-	
		1 PLC ±0.3	
		2 PLC ±-	
		3 PLC ±-	
		4 PLC ±-	
		ANGLES ±5	
MATERIAL	SEE TABLE	FINISH	SEE TABLE

DWN JJ. DESPRETZ 02NOV2005	TYCO Electronics		TYCO ELECTRONICS France SAS BP 30039, 95301 CERGY-PONTOISE Cedex	
CHK G. ROBERT 02NOV2005	NAME TERMINAL, PEEK PIDG STRATO, 20 AWG			
APVD Y. PETRONIN 02NOV2005	PRODUCT SPEC 108-15356			
APPLICATION SPEC 114-15102	SIZE A3	CAGE CODE 00779	DRAWING NO C=1577623	RESTRICTED TO -
WEIGHT 0,69 gr	CUSTOMER DRAWING		SCALE 8:1	SHEET 1 OF 1 REV B

# Mouser Electronics

Authorized Distributor

Click to View Pricing, Inventory, Delivery & Lifecycle Information:

[TE Connectivity:](#)

[1577623-1](#)