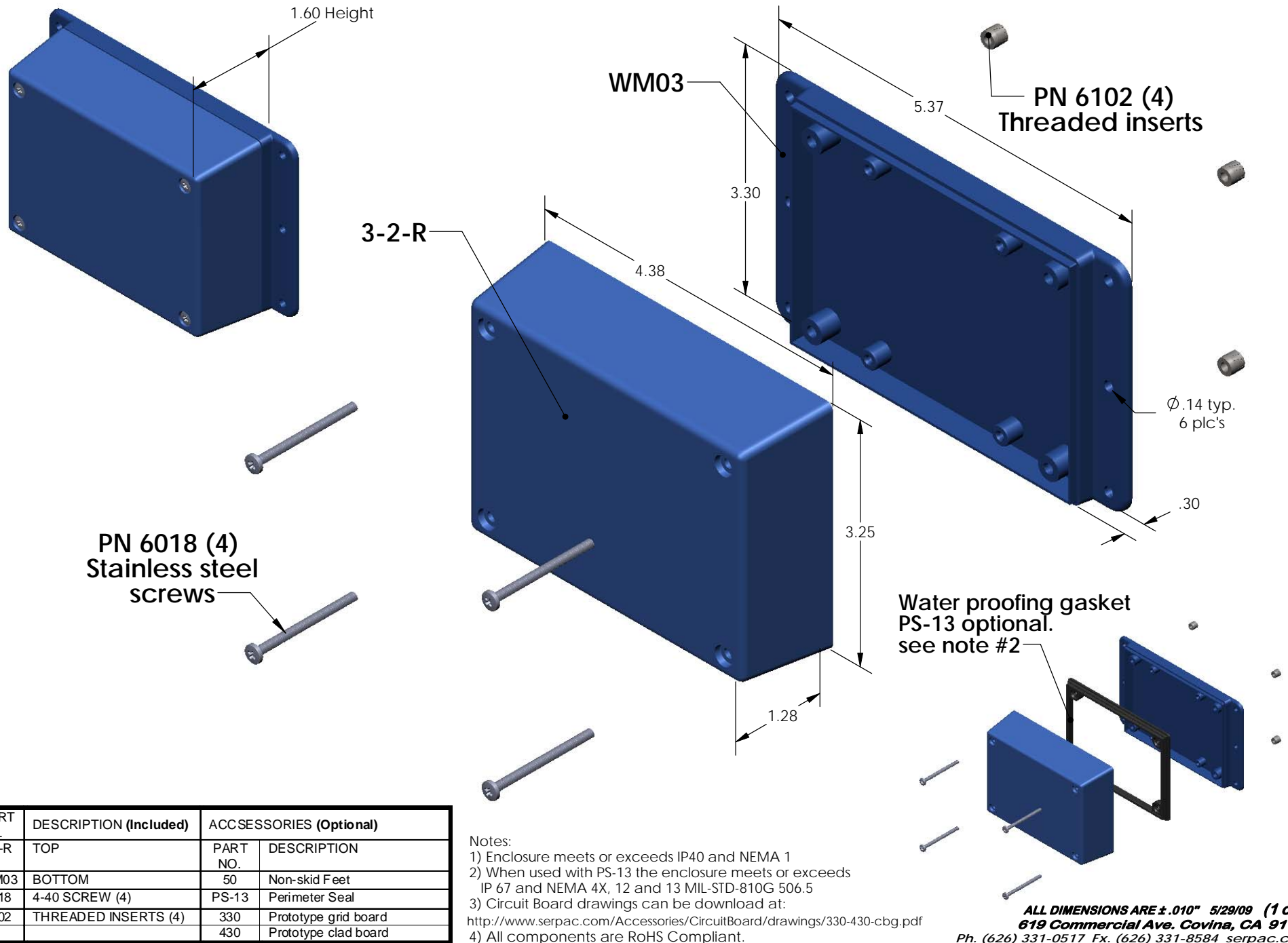


SERPAC Electronic Enclosures WM032-R (exploded isometric)



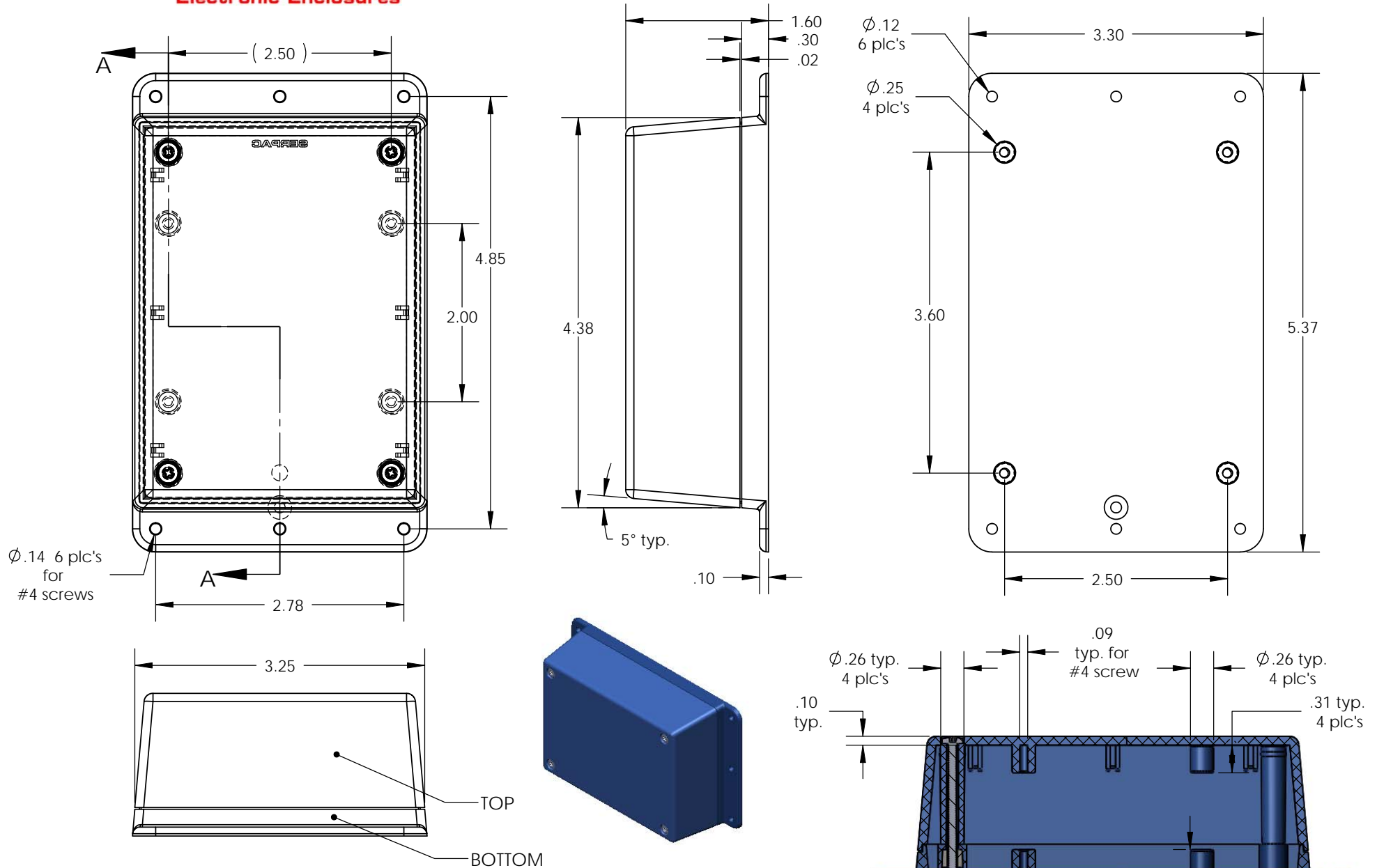
PART NO.	DESCRIPTION (Included)	ACCESSORIES (Optional)	
3-2-R	TOP	PART NO.	DESCRIPTION
WM03	BOTTOM	50	Non-skid Feet
6018	4-40 SCREW (4)	PS-13	Perimeter Seal
6102	THREADED INSERTS (4)	330	Prototype grid board
		430	Prototype clad board

Notes:
 1) Enclosure meets or exceeds IP40 and NEMA 1
 2) When used with PS-13 the enclosure meets or exceeds IP 67 and NEMA 4X, 12 and 13 MIL-STD-810G 506.5
 3) Circuit Board drawings can be download at:
<http://www.serpac.com/Accessories/CircuitBoard/drawings/330-430-cbg.pdf>
 4) All components are RoHS Compliant.

ALL DIMENSIONS ARE ± .010" 5/29/09 (1 of 2)
619 Commercial Ave. Covina, CA 91723
 Ph. (626) 331-0517 Fx. (626) 331-8584 serpac.com

SERPAC WM032-R (user print)

Electronic Enclosures



PART NO.	DESCRIPTION (Included)	ACCESSORIES (Optional)	
3-2-R	TOP	PART NO.	DESCRIPTION
WM03	BOTTOM	50	Non-skid Feet
6018	4-40 SCREW (4)	PS-13	Perimeter Seal
6102	THREADED INSERTS (4)	330	Prototype grid board
		430	Prototype clad board

Notes:
 1) Enclosure meets or exceeds IP40 and NEMA 1
 2) When used with PS-13 the enclosure meets or exceeds IP 67 and NEMA 4X, 12 and 13 MIL-STD-810G 506.5
 3) Circuit Board drawings can be download at:
<http://www.serpac.com/Accessories/CircuitBoard/drawings/330-430-cbg.pdf>
 4) All components are RoHS Compliant.

ALL DIMENSIONS ARE ± .010" 5/28/09 (2 of 2)
619 Commercial Ave. Covina, CA 91723
 Ph. (626) 331-0517 Fx. (626) 331-8584 www.serpac.com

Mouser Electronics

Authorized Distributor

Click to View Pricing, Inventory, Delivery & Lifecycle Information:

[SERPAC:](#)

[WM032R,AL](#) [WM032R,BK](#) [WM032R,GY](#) [WM052R,AL](#) [WM052R,BK](#) [WM052R,GY](#) [WM072R,AL](#) [WM072R,GY](#)