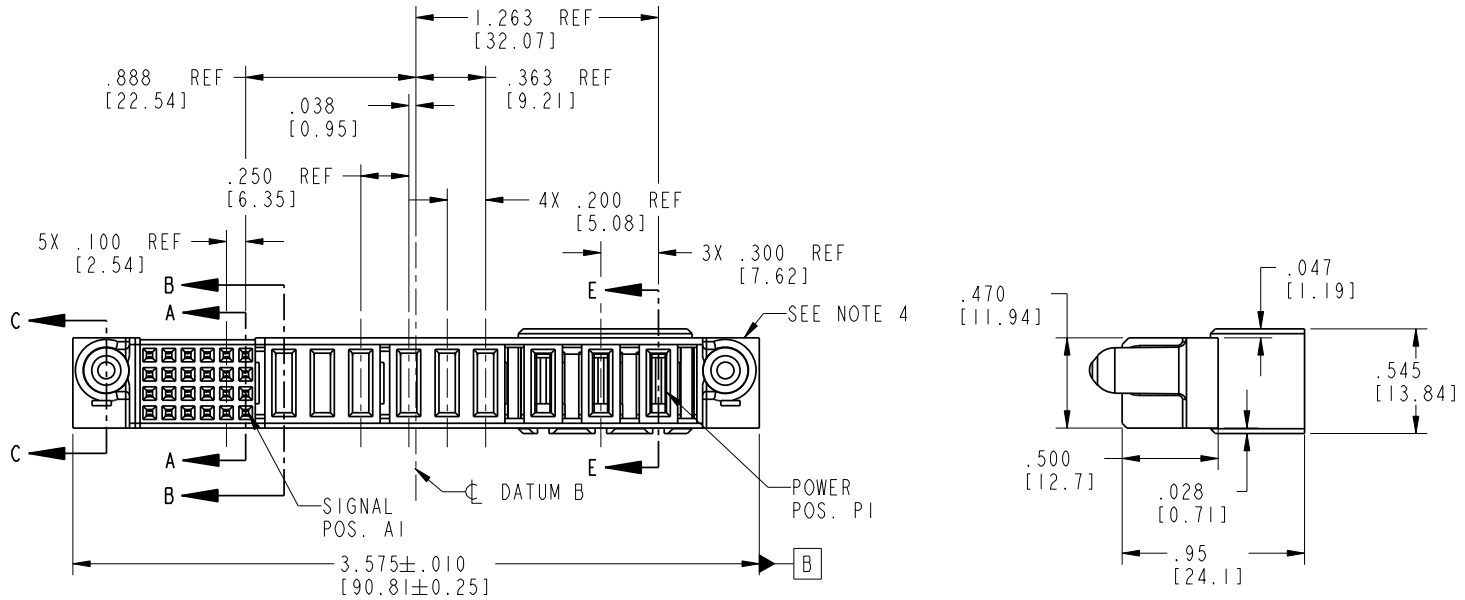
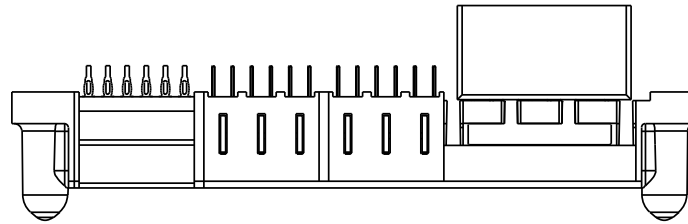


Tous droits strictement réservés. Reproduction ou communication o des liers interdite sous quelque forme que ce soit sans autorisation écrite du propriétaire. Propriete de c FCI. Droits de reproduction FCI.



All rights strictly reserved. Reproduction or issue to third parties in any form whatever is not permitted without written authority from the proprietor. Property of FCI. Copyright FCI.

PRODUCT NO.	ROWS	SIGNAL						POWER						E1			
		E2	6	5	4	3	2	1	P9	P8	P7	P6	P5		P4	P3	P2
51929-001-- NOTE: 3	D C B A		F	F	F	F	F	Pf	Pf	Pf	Pf	Pf	Pf	Pg	Ph	Ph	



CODE	DIM "M"	MATING LENGTH	CONTACT TYPE
F	N/A	[N/A]	SIGNAL
PF	.092	[2.34]	POWER
PG	.042	[1.07]	POWER
PH	.092	[2.34]	POWER

mat'l code				SEE NOTE 2		tolerances unless otherwise specified		CUSTOMER		FCI	
lir	ecn no.	dr	date	linear	.XX±.01/0.X±0.3	COPY		www.fciconnect.com			
A	V05-0001	TAB	01/04/05	angles	.XXX±.005/0.XX±0.13	projection		title 9P + 24S			
B	DG06-0307	JULIA	07/31/06	dr	.XXX±.0020/0.XXX±0.051	INCH/MM		VERTICAL PRESS-FIT RECEPT			
				enr	T. BRUNGARD 01/04/05	scale		product family		PwrBlade	
				chr	L. HAO 01/04/05	1:1		size		213	
				appd	L. HAO 01/04/05			dwg no		sheet	
				sheet index	B B			A		1 of 4	
				revision sheet	1 2			51929-001			

A

A

B

B

1 | 2

Pro/E

PDM: Rev: B

STAT: Released

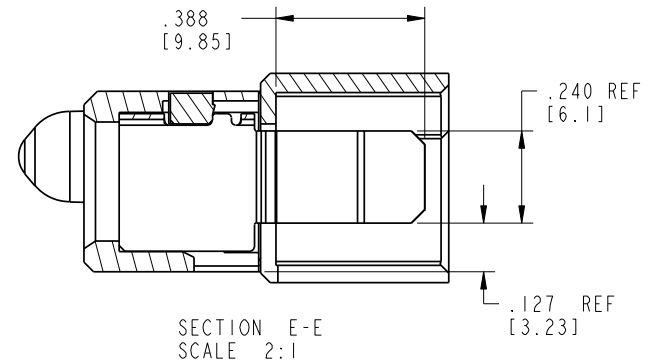
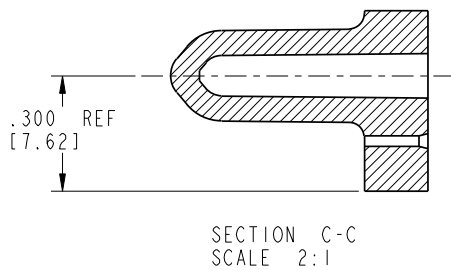
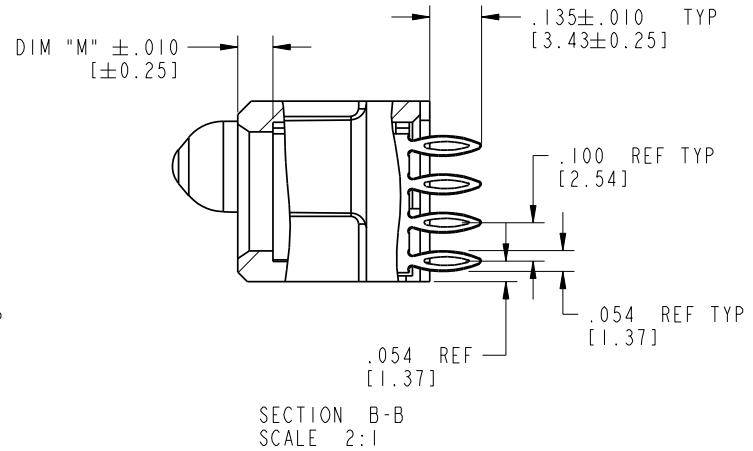
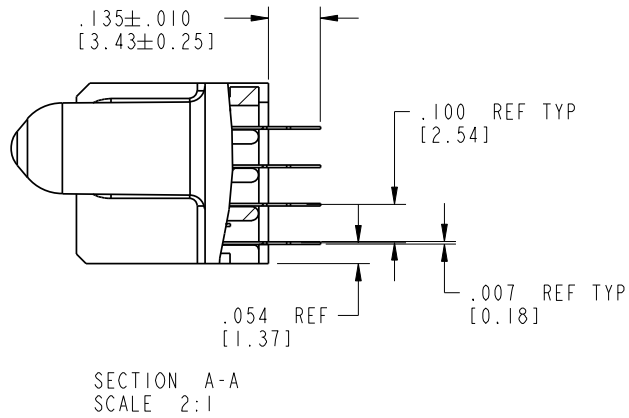
Printed: Dec 20, 2010

Tous droits strictement réservés. Reproduction ou communication a des tiers interdite sous quelque forme que ce soit sans autorisation écrite du propriétaire. Propriété de c FCI. Droits de reproduction FCI.



All rights strictly reserved. Reproduction or issue to third parties in any form whatever is not permitted without written authority from the proprietor. Property of FCI. Copyright FCI.

PRODUCT NUMBER  
51929-001\_\_  
NOTE: 3



mat'l code		SEE NOTE 2		tolerances unless otherwise specified		CUSTOMER		FCI	
lir	ecn no.	dr	date	linear	.XX±.01/0.X±0.3	projection	www.fciconnect.com		
B					.XXY±.005/0.XX±0.13	INCH/MM	title		9P + 24S
				angles	.XXX±.0020/0.XXX±0.051	scale	product family		PwrBlade
				dr	0°±2°	1:1	size		213
				enrg	T. BRUNGARD 01/04/05		dwg no		sheet
				chr	L. HAO 01/04/05		A		2 of 4
				appd	L. HAO 01/04/05		51929-001		
sheet index	revision sheet								

Pro/E

PDM: Rev: B

STAT: Released

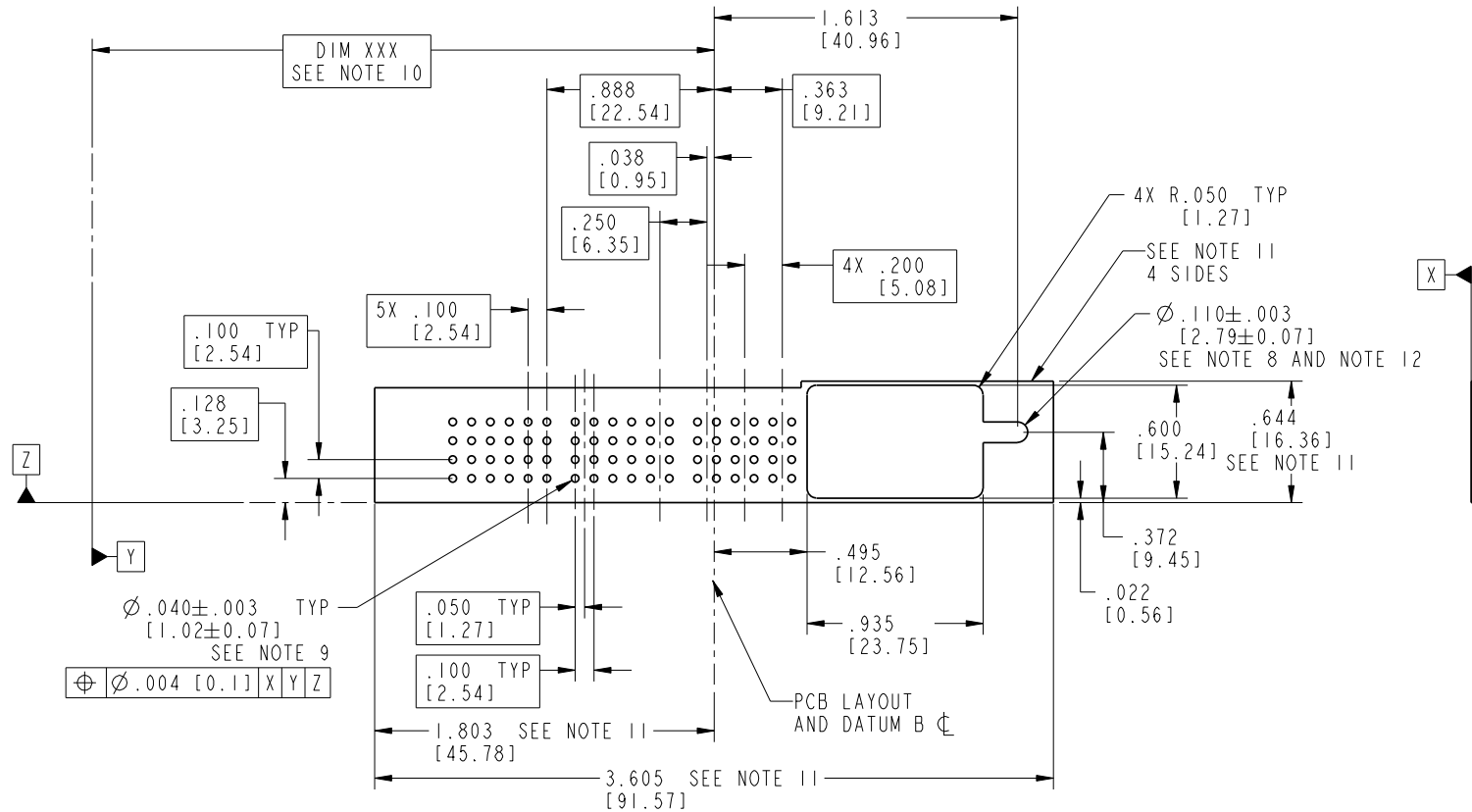
Printed: Dec 20, 2010

Tous droits strictement réservés. Reproduction ou communication o des liers interdite sous quelque forme que ce soit sans autorisation écrite du propriétaire. Propriété de c FCI. Droits de reproduction FCI.



All rights strictly reserved. Reproduction or issue to third parties in any form whatever is not permitted without written authority from the proprietor. Property of FCI. Copyright FCI.

PRODUCT NUMBER  
51929-001\_\_  
NOTE: 3



mat'l code		SEE NOTE 2		tolerances unless otherwise specified		CUSTOMER		FCI	
lir	ecn no.	dr	date	linear	.XX±.01/0.X±0.3	COPY		www.fciconnect.com	
B				linear	.XX±.005/0.XX±0.13	projection		title 9P + 24S	
				angles	.XXX±.0020/0.XXX±0.051	INCH/MM		VERTICAL PRESS-FIT RECEPT	
				dr	T. BRUNGARD 01/04/05	scale		product family PwrBlade	
				enrg	L. HAO 01/04/05	1:1		code 213	
				chr	L. HAO 01/04/05			size dwg no	
				appd	L. HAO 01/04/05			A 51929-001	
sheet index	revision sheet							sheet 3 of 4	

Pro/E

PDM: Rev: B

STAT: Released

Printed: Dec 20, 2010

Tous droits strictement réservés. Reproduction ou communication a des tiers interdite sous quelque forme que ce soit sans autorisation écrite du propriétaire. Propriété de c FCI. Droits de reproduction FCI.

1 | 2

3 |

4

**PRODUCT NUMBER**

51929-001--  
NOTE: 3

**NOTES:**

1. DIMENSIONS AND TOLERANCES ARE IN ACCORDANCE WITH ASME Y14.5M, 1994 UNLESS OTHERWISE SPECIFIED.

**CONNECTOR NOTES:**

- 2 HOUSING MATERIAL: UL 94 V-0 GLASS FILLED  
HIGH-TEMP THERMOPLASTIC  
POWER CONTACT MATERIAL: COPPER ALLOY  
SIGNAL PIN MATERIAL: COPPER ALLOY
- 3. 51929-001;51929-001LF;51929-001GLF PLATING SPEC. SEE PRINT:10064183
- 4 MANUFACTURER'S NAME, P/N, AND DATE CODE TO APPEAR ON THIS SURFACE.
- 5. PRODUCT SPECIFICATION GS-12-149.  
APPLICATION SPECIFICATION BUS-20-067.
- 6. PACKAGED IN TRAYS.  
  
PCB NOTES:
- 7. ALL HOLE DIAMETERS ARE FINISHED HOLE SIZE.

- 8 MOUNTING HOLES, WHERE APPLICABLE, ARE UNPLATED.
- 9  $\varnothing .0453 \pm .0010$  [1.151 $\pm$ 0.025] DRILLED HOLES PLATED WITH .0003 [0.008] MIN SnPb OVER .001 [0.03] TO .003 [0.08] Cu PLATING TO ACHIEVE  $\varnothing .040 \pm .003$  [1.02 $\pm$ .07] HOLE.
- 10 "DIM XXX" TO BE DETERMINED BY THE CUSTOMER.
- 11 CONNECTOR KEEP-OUT ZONE.
- 12 RECOMMENDED RETENTION TO PCB  
 $\varnothing .110$ [2/79] THRU HOLE FOR M2.5 SOCKET HEAD CAP SCREW, MAX HEAD  $\varnothing .177$ [4.50]  
RECOMMENDED SCREW LENGTH .472[12.00] + PCB THICKNESS  
RECOMMENDED SCREW SEATING TO PCB TORQUE: 2-5 lbf-in (2300-5760 gf-cm).



All rights strictly reserved. Reproduction or issue to third parties in any form whatever is not permitted without written authority from the proprietor. Property of FCI. Copyright FCI.

A

A

B

B

mat'l code		SEE NOTE 2		tolerances unless otherwise specified		CUSTOMER		FCI	
lir	ecn no.	dr	date	linear	.XX $\pm$ .01/0.X $\pm$ 0.3	COPY		www.fciconnect.com	
B				projection	.XXX $\pm$ .005/0.XX $\pm$ 0.13			title 9P + 24S	
				angles	.XXX $\pm$ .0020/0.XXX $\pm$ 0.051			VERTICAL PRESS-FIT RECEIPT	
				dr	T. BRUNGARD 01/04/05	INCH/MM		product family PwrBlade	
				enrg	L. HAO 01/04/05	scale		code 213	
				chr	L. HAO 01/04/05	1:1		size dwg no	
				appd	L. HAO 01/04/05			A 51929-001	
sheet index		revision sheet						sheet 4 of 4	

1 | 2

Pro/E

**PDM: Rev: B**

STAT **US: Released**

code code 22526 4 Printed: Dec 20, 2010

# Mouser Electronics

Authorized Distributor

Click to View Pricing, Inventory, Delivery & Lifecycle Information:

[FCI / Amphenol:](#)

[51929-001](#) [51929-001LF](#)