

THIS INFORMATION IS CONFIDENTIAL AND PROPRIETARY TO CW INDUSTRIES INCORPORATED AND ITS AFFILIATES. IT MAY NOT BE DISCLOSED TO ANYONE, OTHER THAN CW INDUSTRIES PERSONNEL, WITHOUT WRITTEN AUTHORIZATION FROM CW INDUSTRIES INCORPORATED, SOUTHAMPTON, PENNSYLVANIA USA.

<b>Rating</b>	<b>21A 14VDC</b>	<b>Mounting Hole</b>		<b>Circuit Diagram</b>									
<b>Contact Resistance</b>	<b>50m ohm Max.</b>												
<b>Insulation Resistance</b>	<b>DC 500V 100M ohm Min.</b>	<table border="1"> <tr> <th>Thickness(mm)</th> <th>X(mm)</th> <th>Y(mm)</th> </tr> <tr> <td>0.75~1.25</td> <td rowspan="3">21.2+0.1</td> <td>36.6<sup>+0.2</sup><sub>-0</sub></td> </tr> <tr> <td>1.25~2.0</td> <td>36.8<sup>+0.2</sup><sub>-0</sub></td> </tr> <tr> <td>2.0~3.0</td> <td>37.0<sup>+0.2</sup><sub>-0</sub></td> </tr> </table>	Thickness(mm)	X(mm)	Y(mm)	0.75~1.25	21.2+0.1	36.6 <sup>+0.2</sup> <sub>-0</sub>	1.25~2.0	36.8 <sup>+0.2</sup> <sub>-0</sub>	2.0~3.0	37.0 <sup>+0.2</sup> <sub>-0</sub>	
Thickness(mm)	X(mm)		Y(mm)										
0.75~1.25	21.2+0.1		36.6 <sup>+0.2</sup> <sub>-0</sub>										
1.25~2.0		36.8 <sup>+0.2</sup> <sub>-0</sub>											
2.0~3.0		37.0 <sup>+0.2</sup> <sub>-0</sub>											
<b>Dielectric Strength</b>	<b>AC 1500V 1 minute</b>												
<b>Operation Temperature</b>	<b>-20°~85°</b>												
<b>Switch Function</b>	<b>3P SPST ON-OFF</b>												

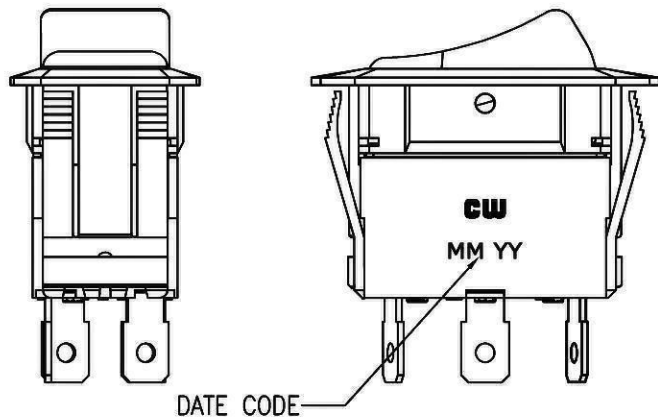
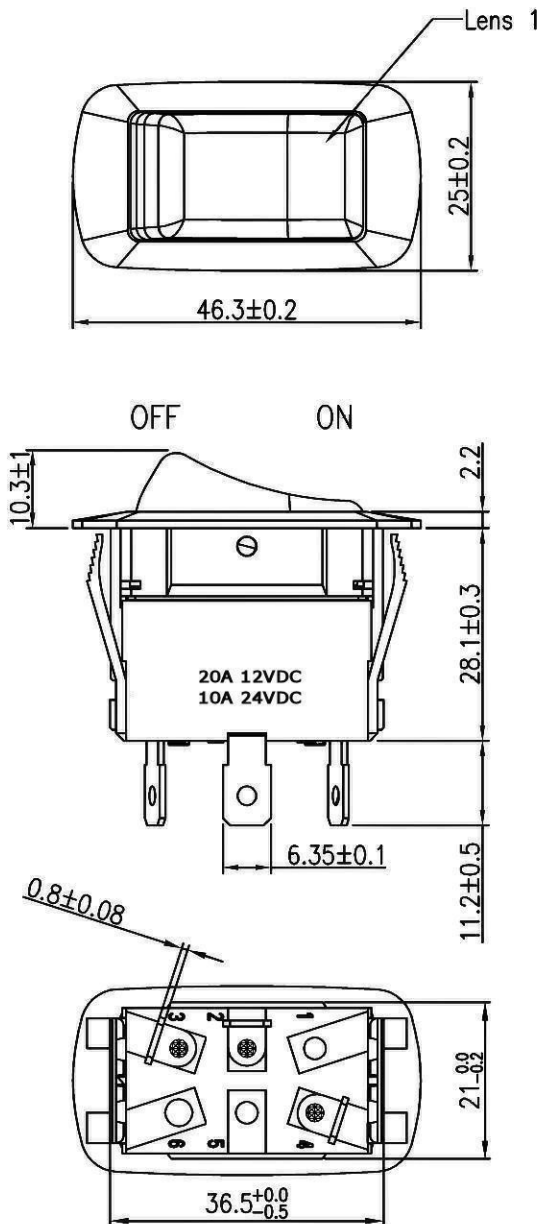
**\* MATERIAL:**

Frame: Nylon#66, Black

Actuator: Nylon#66 with 33%GF, Black

Lens: PC, Red

Water proof and dust proof to fit IP-56



RoHS Compliant

1 Removed AC Rating marks and added DC Rating marks.8/23/10

**CW INDUSTRIES**  
 Southampton, Pa. 18966  
 Tel 215.355.7080/www.cwind.com

Date Drawn: 5/27/10

Rev. 1

Unit: mm

Checked By: G.Guld

Title: **ROCKER SWITCH**

CW P/N: **GRB260A401BBRN1**

# Mouser Electronics

Authorized Distributor

Click to View Pricing, Inventory, Delivery & Lifecycle Information:

[CW Industries:](#)

[GRB260A401BBRN1](#)