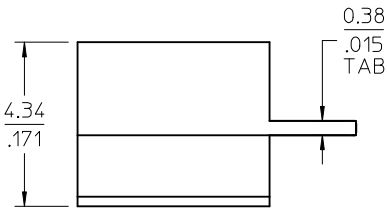
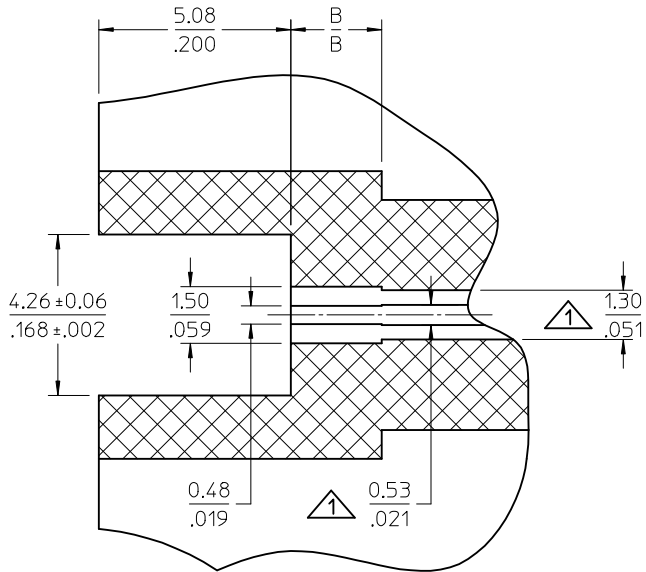
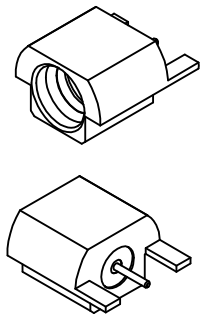
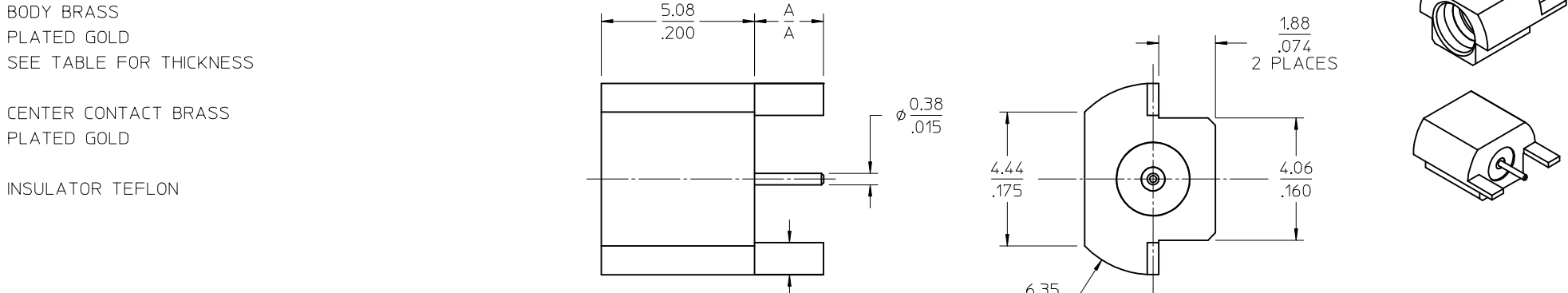


MATERIALS AND FINISHES

BODY BRASS
 PLATED GOLD
 SEE TABLE FOR THICKNESS

CENTER CONTACT BRASS
 PLATED GOLD

INSULATOR TEFLON



LABEL WITH EACH BAG
 FOR 73415-3595

PART NUMBER: 73415-3591
 ORDER NUMBER: 73415-3595
 MOLEX
 DATE: YYWW

| | |
|------------|---|
| 73415-3596 | 73415-3591 1000 PCS PER REEL (TAPE & REEL PACK) |
| 73415-3595 | 73415-3591 ONE PIECE PER BAG WITH LABEL |
| 73415-3593 | 73415-3591 20 PCS PER SMALL TRAY 89707-0308 |
| 73415-3592 | 73415-3590 20 PCS PER SMALL TRAY 89707-0308 |
| 73415-3591 | 73415-3591 80 PCS PER SMALL TRAY 89707-0190 |
| 73415-3590 | 73415-3590 80 PCS PER SMALL TRAY 89707-0190 |
| PART NO. | PACKAGING |

RECOMMENDED PCB LAYOUT

DIMENSIONS APPLICABLE FOR ROGERS 4350
 PCB MATERIAL ONLY

| | | | | | |
|------------|----------|----------|-------|------|--------------|
| 73415-3594 | .090 REF | 2.29 REF | .095 | 2.41 | 30u" GOLD |
| 73415-3591 | .050 REF | 1.27 REF | .055 | 1.40 | 10u" GOLD |
| 73415-3590 | .090 REF | 2.29 REF | .095 | 2.41 | 10u" GOLD |
| PART NO. | IN | MM | IN | MM | BODY PLATING |
| DIM A | | | DIM B | | |

| | |
|--------------------------|-----------------------|
| PS-89675-3320 | PRODUCT SPECIFICATION |
| MIL-STD-348A, FIG. 326-3 | INTERFACE |
| SPECIFICATION | DESCRIPTION |

CHG: ADDED -3596 & PACKAGING PER PDR12091181
 EC NO: URF2014-0195
 DRWNR:YEH
 CHKD:
 APPR:MHUANG
 2012/09/27
 2013/10/07

QUALITY SYMBOLS

DESCRIPTION

REV: A8

GENERAL TOLERANCES (UNLESS SPECIFIED)

| | mm | INCH |
|----------|--------|----------|
| 4 PLACES | ± .005 | ± .0002 |
| 3 PLACES | ± .004 | ± .00015 |
| 2 PLACES | ± .003 | ± .0001 |
| 1 PLACE | ± .002 | ± .00008 |
| 0 PLACE | ± .001 | ± .00005 |

ANGULAR ± 2°

DRAFT WHERE APPLICABLE MUST REMAIN WITHIN DIMENSIONS

DIMENSION STYLE: MM/IN

SCALE: 10:1

DESIGN UNITS: METRIC

THIRD ANGLE PROJECTION

DRAWN BY: SSS DATE: 2007/07/18

CHECKED BY: TEL DATE: 2007/07/18

APPROVED BY: GMH DATE: 2007/07/18

MATERIAL NO. SEE TABLE

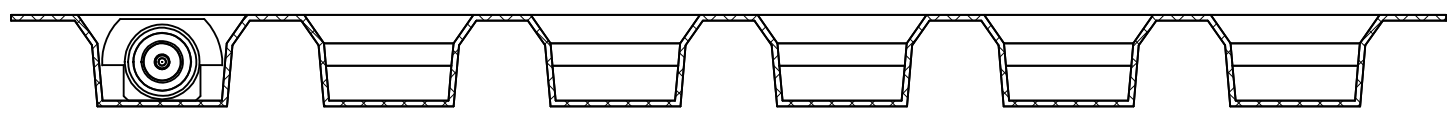
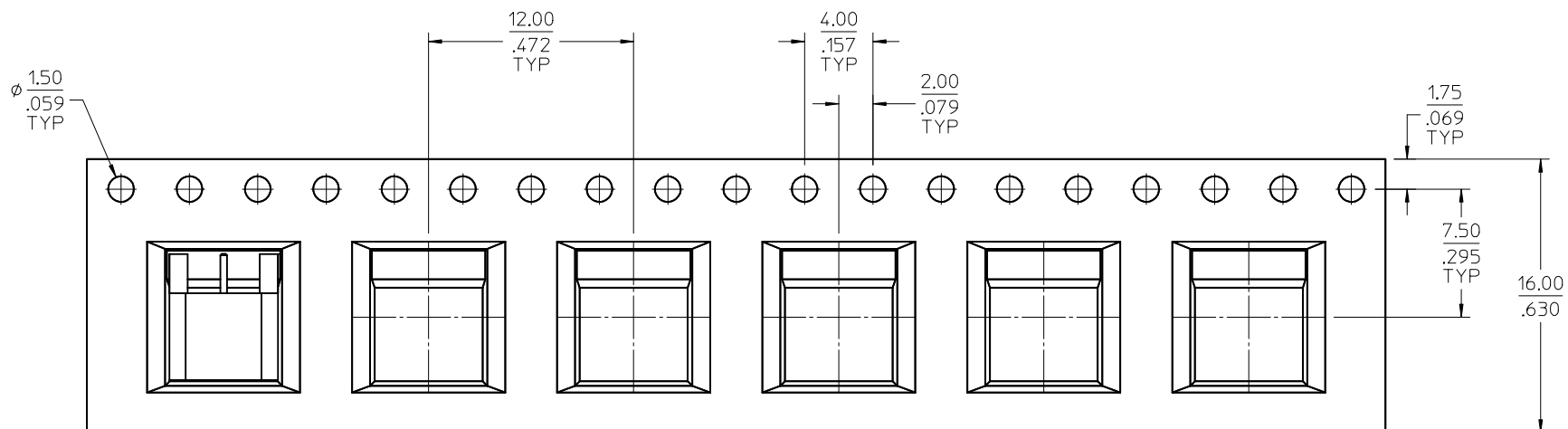
TITLE: SMP PLUG, PCB EDGEMOUNT
 50 OHMS LIMITED DETENT
 SMP-P/PCB

molex

DOCUMENT NO. SD-73415-359

SHEET NO. 1 OF 3

THIS DRAWING CONTAINS INFORMATION THAT IS PROPRIETARY TO MOLEX INCORPORATED AND SHOULD NOT BE USED WITHOUT WRITTEN PERMISSION

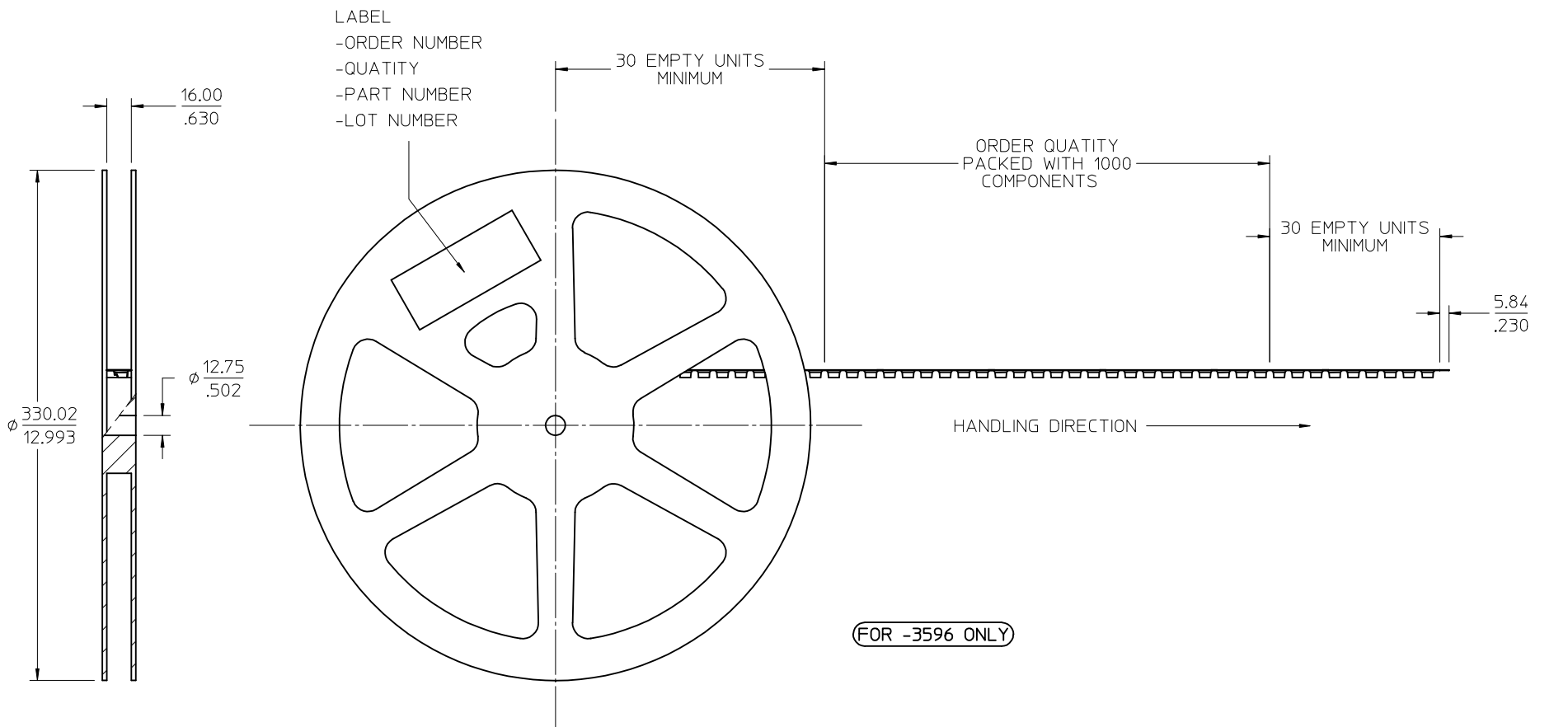


| | | | | | | |
|--|-----------------|--|-----------------|--------------|--|------------------------|
| CHG:SEE SHEET 1 EC NO: URF2014-0195 DRAWN:YEH CHKD: APPR:MHUANG 2012/09/27 2013/10/07 DESCRIPTION | QUALITY SYMBOLS | GENERAL TOLERANCES (UNLESS SPECIFIED) | DIMENSION STYLE | SCALE | DESIGN UNITS | THIRD ANGLE PROJECTION |
| | ▽=0 | mm INCH | MM/IN | 5:1 | METRIC | ☉ |
| | ▽=0 | 4 PLACES ± --- ± --- | DRAWN BY DATE | TITLE | SMP PLUG, PCB EDMOUNT 50 OHMS LIMITED DETENT SMP-P/PCB | |
| | ▽=0 | 3 PLACES ± --- ± --- | SSS 2007/07/18 | | | |
| REV | DESCRIPTION | ANGULAR ± 2 ° | MATERIAL NO. | DOCUMENT NO. | SHEET NO. | |
| A8 | | DRAFT WHERE APPLICABLE MUST REMAIN WITHIN DIMENSIONS | SEE TABLE | SD-73415-359 | 2 OF 3 | |

THIS DRAWING CONTAINS INFORMATION THAT IS PROPRIETARY TO MOLEX INCORPORATED AND SHOULD NOT BE USED WITHOUT WRITTEN PERMISSION

13 12 11 10 9 8 7 6 5 4 3 2 1

J I H G F E D C B A



| | | | | | | | | | | | | | | | | | | | | | | | | | | | | | | |
|---|---|---|---|---|---|---|---|---|---|----|----|----|----|---|---|---|---|---|---|---|---|---|---|--------------------------------------|---|---|--|---|------------------------------|---------------------|
| A | B | C | D | E | F | G | H | I | J | 13 | 12 | 11 | 10 | 9 | 8 | 7 | 6 | 5 | 4 | 3 | 2 | 1 | CHG:SEE SHEET 1 EC NO: URF2014-0195 DRAWN BY: DRWNR/TEH CHKD: APPR:MHUANG 2012/09/27 | QUALITY SYMBOLS ▽=0 ▽=0 ▽=0 | GENERAL TOLERANCES (UNLESS SPECIFIED) mm INCH 4 PLACES ± --- ± --- 3 PLACES ± --- ± --- 2 PLACES ± --- ± --- 1 PLACE ± --- ± --- 0 PLACE ± ± ANGULAR ± 2 ° DRAFT WHERE APPLICABLE MUST REMAIN WITHIN DIMENSIONS | DIMENSION STYLE MM/IN DRAWN BY: SSS CHECKED BY: TEL APPROVED BY: GMH DATE: 2007/07/18 DATE: 2007/07/18 DATE: 2007/07/18 MATERIAL NO. SEE TABLE | SCALE 1:2 DESIGN UNITS METRIC THIRD ANGLE PROJECTION | TITLE SMP PLUG, PCB EDGEMOUNT 50 OHMS LIMITED DETENT SMP-P/PCB molex | DOCUMENT NO. SD-73415-359 | SHEET NO. 3 OF 3 |
| | | | | | | | | | | | | | | | | | | | | | | | THIS DRAWING CONTAINS INFORMATION THAT IS PROPRIETARY TO MOLEX INCORPORATED AND SHOULD NOT BE USED WITHOUT WRITTEN PERMISSION | | | | | | | |
| | | | | | | | | | | | | | | | | | | | | | | | SIZE C | | | | | | | |
| | | | | | | | | | | | | | | | | | | | | | | | 2013/01/17 | | | | | | | |

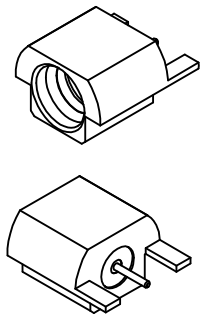
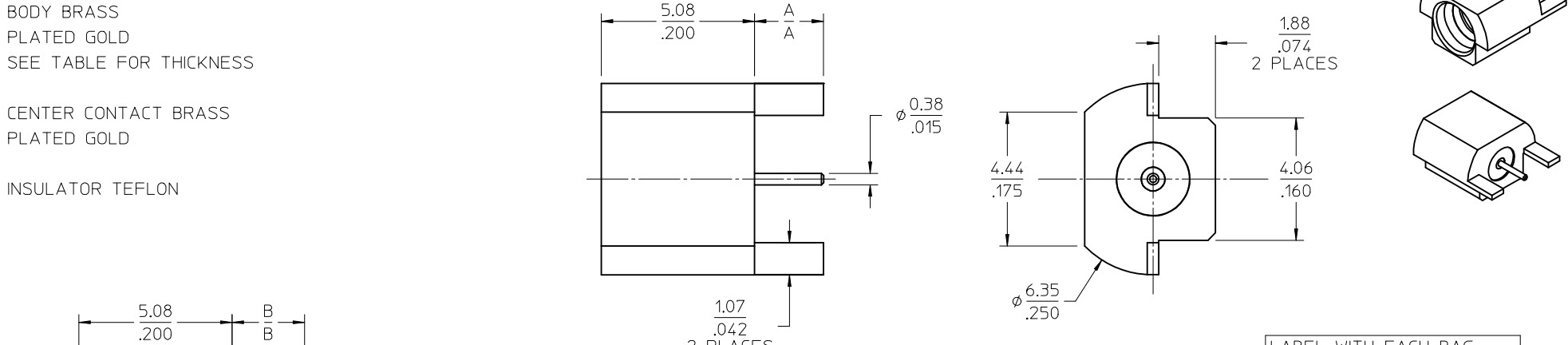
13 12 11 10 9 8 7 6 5 4 3 2 1

MATERIALS AND FINISHES

BODY BRASS
PLATED GOLD
SEE TABLE FOR THICKNESS

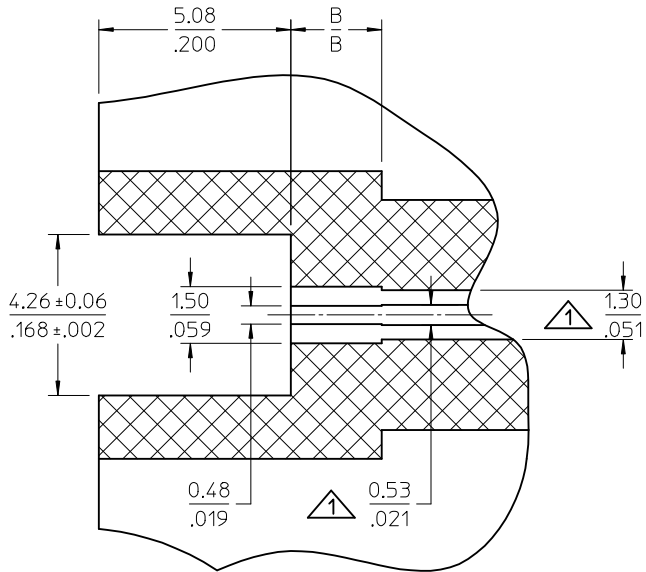
CENTER CONTACT BRASS
PLATED GOLD

INSULATOR TEFLON



LABEL WITH EACH BAG
FOR 73415-3595

PART NUMBER: 73415-3591
ORDER NUMBER: 73415-3595
MOLEX
DATE: YYWW



RECOMMENDED PCB LAYOUT

DIMENSIONS APPLICABLE FOR ROGERS 4350
PCB MATERIAL ONLY

| | |
|------------|---|
| 73415-3596 | 73415-3591 1000 PCS PER REEL (TAPE & REEL PACK) |
| 73415-3595 | 73415-3591 ONE PIECE PER BAG WITH LABEL |
| 73415-3593 | 73415-3591 20 PCS PER SMALL TRAY 89707-0308 |
| 73415-3592 | 73415-3590 20 PCS PER SMALL TRAY 89707-0308 |
| 73415-3591 | 73415-3591 80 PCS PER SMALL TRAY 89707-0190 |
| 73415-3590 | 73415-3590 80 PCS PER SMALL TRAY 89707-0190 |
| PART NO. | PACKAGING |

| | | | | | |
|------------|----------|----------|-------|------|--------------|
| 73415-3594 | .090 REF | 2.29 REF | .095 | 2.41 | 30u" GOLD |
| 73415-3591 | .050 REF | 1.27 REF | .055 | 1.40 | 10u" GOLD |
| 73415-3590 | .090 REF | 2.29 REF | .095 | 2.41 | 10u" GOLD |
| PART NO. | IN | MM | IN | MM | BODY PLATING |
| | DIM A | | DIM B | | |

| | |
|--------------------------|-----------------------|
| PS-89675-3320 | PRODUCT SPECIFICATION |
| MIL-STD-348A, FIG. 326-3 | INTERFACE |
| SPECIFICATION | DESCRIPTION |

CHG: ADDED -3596 & PACKAGING PER PDR12091181
EC NO: URF2014-0195 2012/09/27
DRWNR:YEH
CHKD:
APPR:MHUANG 2013/10/07

DESCRIPTION

QUALITY SYMBOLS

REV: A8

GENERAL TOLERANCES (UNLESS SPECIFIED)

| | mm | INCH |
|----------|--------|----------|
| 4 PLACES | ± .005 | ± .0002 |
| 3 PLACES | ± .004 | ± .00015 |
| 2 PLACES | ± .003 | ± .0001 |
| 1 PLACE | ± .002 | ± .00008 |
| 0 PLACE | ± .001 | ± .00005 |

ANGULAR ± 2°

DRAFT WHERE APPLICABLE MUST REMAIN WITHIN DIMENSIONS

DIMENSION STYLE: MM/IN

SCALE: 10:1

DESIGN UNITS: METRIC

THIRD ANGLE PROJECTION

DRAWN BY: SSS DATE: 2007/07/18

CHECKED BY: TEL DATE: 2007/07/18

APPROVED BY: GMH DATE: 2007/07/18

MATERIAL NO. SEE TABLE

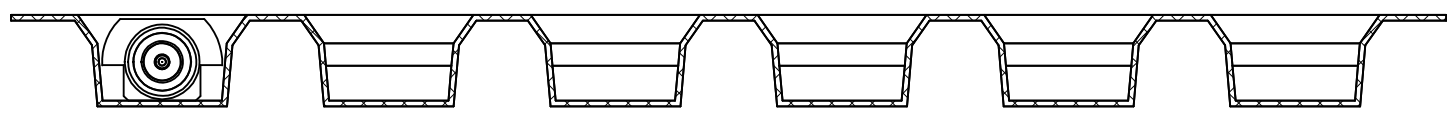
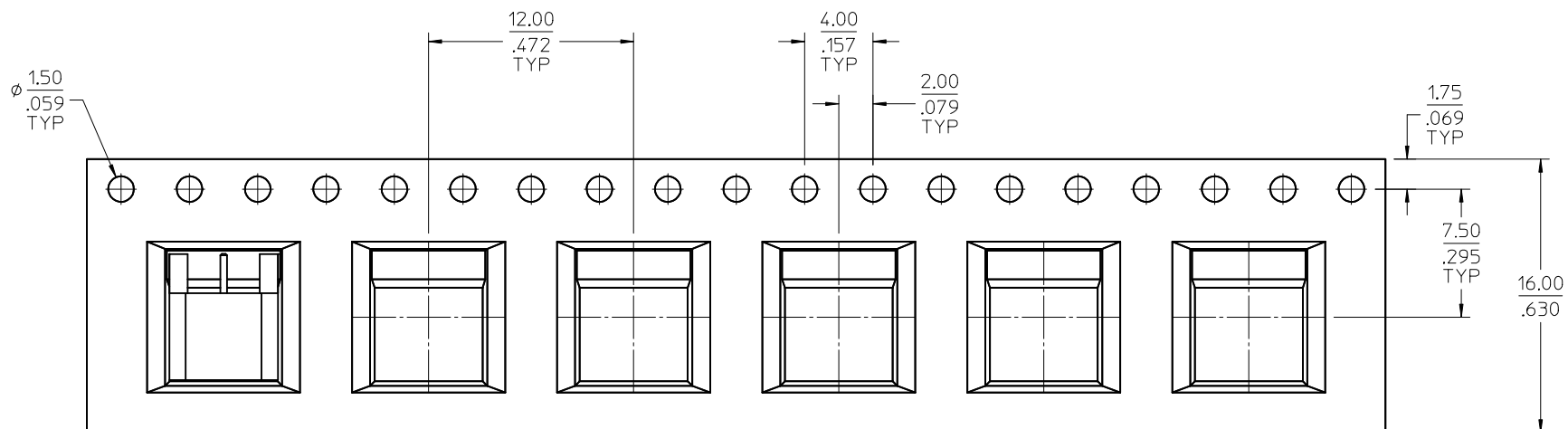
TITLE: SMP PLUG, PCB EDGEMOUNT
50 OHMS LIMITED DETENT
SMP-P/PCB

molex

DOCUMENT NO. SD-73415-359

SHEET NO. 1 OF 3

THIS DRAWING CONTAINS INFORMATION THAT IS PROPRIETARY TO MOLEX INCORPORATED AND SHOULD NOT BE USED WITHOUT WRITTEN PERMISSION

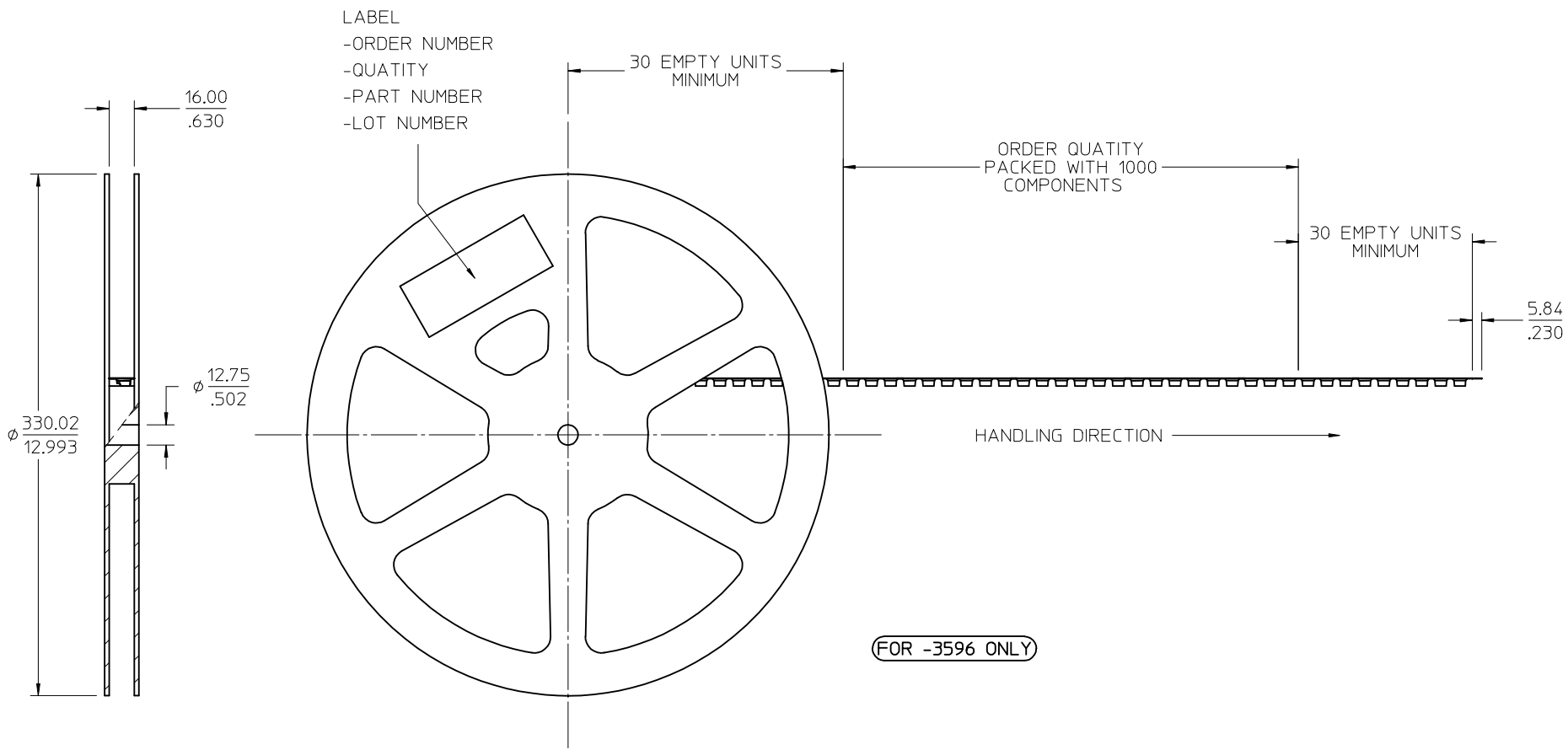


| CHG:SEE SHEET 1 EC NO: URF2014-0195 DRAWN:RYEH CHKD: APPR:MHUANG | DESCRIPTION 2013/10/07 | QUALITY SYMBOLS | GENERAL TOLERANCES (UNLESS SPECIFIED) | DIMENSION STYLE | SCALE | DESIGN UNITS | THIRD ANGLE PROJECTION | | | | | | | | | | | | | | | | |
|--|---------------------------|--|---|--|---|--------------|---------------------------|------------------------------|---------------------|----------|-----------|-----------|----------|-----------|-----------|---------|-----------|-----------|---------|-------|-------|-------|-----|
| | | $\nabla = 0$ $\nabla = 0$ $\nabla = 0$ | <table border="1"> <thead> <tr> <th></th> <th>mm</th> <th>INCH</th> </tr> </thead> <tbody> <tr> <td>4 PLACES</td> <td>\pm ---</td> <td>\pm ---</td> </tr> <tr> <td>3 PLACES</td> <td>\pm ---</td> <td>\pm ---</td> </tr> <tr> <td>2 PLACES</td> <td>\pm ---</td> <td>\pm ---</td> </tr> <tr> <td>1 PLACE</td> <td>\pm ---</td> <td>\pm ---</td> </tr> <tr> <td>0 PLACE</td> <td>\pm</td> <td>\pm</td> </tr> </tbody> </table> | | mm | INCH | 4 PLACES | \pm --- | \pm --- | 3 PLACES | \pm --- | \pm --- | 2 PLACES | \pm --- | \pm --- | 1 PLACE | \pm --- | \pm --- | 0 PLACE | \pm | \pm | MM/IN | 5:1 |
| | mm | INCH | | | | | | | | | | | | | | | | | | | | | |
| 4 PLACES | \pm --- | \pm --- | | | | | | | | | | | | | | | | | | | | | |
| 3 PLACES | \pm --- | \pm --- | | | | | | | | | | | | | | | | | | | | | |
| 2 PLACES | \pm --- | \pm --- | | | | | | | | | | | | | | | | | | | | | |
| 1 PLACE | \pm --- | \pm --- | | | | | | | | | | | | | | | | | | | | | |
| 0 PLACE | \pm | \pm | | | | | | | | | | | | | | | | | | | | | |
| A8 | REV | ANGULAR $\pm 2^\circ$ | DRAFT WHERE APPLICABLE MUST REMAIN WITHIN DIMENSIONS | DRAWN BY: SSS CHECKED BY: TEL APPROVED BY: GMH DATE: 2007/07/18 DATE: 2007/07/18 DATE: 2007/07/18 | TITLE: SMP PLUG, PCB EDMOUNT 50 OHMS LIMITED DETENT SMP-P/PCB molex | | MATERIAL NO. SEE TABLE | DOCUMENT NO. SD-73415-359 | SHEET NO. 2 OF 3 | | | | | | | | | | | | | | |

13 12 11 10 9 8 7 6 5 4 3 2 1

J
I
H
G
F
E
D
C
B
A

J
I
H
G
F
E
D
C
B
A



| CHG:SEE SHEET 1 EC NO: URF2014-0195 DRAWN BY: DRWNR/REH CHKD: APPR:MHUANG 2012/09/27 | QUALITY SYMBOLS ▽=0 ▽=0 ▽=0 | GENERAL TOLERANCES (UNLESS SPECIFIED) <table border="1"> <thead> <tr> <th></th> <th>mm</th> <th>INCH</th> </tr> </thead> <tbody> <tr> <td>4 PLACES</td> <td>± .---</td> <td>± .---</td> </tr> <tr> <td>3 PLACES</td> <td>± .---</td> <td>± .---</td> </tr> <tr> <td>2 PLACES</td> <td>± .---</td> <td>± .---</td> </tr> <tr> <td>1 PLACE</td> <td>± .---</td> <td>± .---</td> </tr> <tr> <td>0 PLACE</td> <td>±</td> <td>±</td> </tr> </tbody> </table> | | mm | INCH | 4 PLACES | ± .--- | ± .--- | 3 PLACES | ± .--- | ± .--- | 2 PLACES | ± .--- | ± .--- | 1 PLACE | ± .--- | ± .--- | 0 PLACE | ± | ± | DIMENSION STYLE MM/IN DRAWN BY: SSS DATE: 2007/07/18 CHECKED BY: TEL DATE: 2007/07/18 APPROVED BY: GMH DATE: 2007/07/18 | SCALE 1:2 DESIGN UNITS METRIC THIRD ANGLE PROJECTION | TITLE SMP PLUG, PCB EDGEMOUNT 50 OHMS LIMITED DETENT SMP-P/PCB molex |
|--|--------------------------------------|--|--------|----|------|----------|--------|--------|----------|--------|--------|----------|--------|--------|---------|--------|--------|---------|---|---|---|--|--|
| | | mm | INCH | | | | | | | | | | | | | | | | | | | | |
| | 4 PLACES | ± .--- | ± .--- | | | | | | | | | | | | | | | | | | | | |
| | 3 PLACES | ± .--- | ± .--- | | | | | | | | | | | | | | | | | | | | |
| 2 PLACES | ± .--- | ± .--- | | | | | | | | | | | | | | | | | | | | | |
| 1 PLACE | ± .--- | ± .--- | | | | | | | | | | | | | | | | | | | | | |
| 0 PLACE | ± | ± | | | | | | | | | | | | | | | | | | | | | |
| MATERIAL NO. SEE TABLE | DOCUMENT NO. SD-73415-359 | SHEET NO. 3 OF 3 | | | | | | | | | | | | | | | | | | | | | |
| ANGULAR ± 2 ° DRAFT WHERE APPLICABLE MUST REMAIN WITHIN DIMENSIONS | SIZE C | THIS DRAWING CONTAINS INFORMATION THAT IS PROPRIETARY TO MOLEX INCORPORATED AND SHOULD NOT BE USED WITHOUT WRITTEN PERMISSION | | | | | | | | | | | | | | | | | | | | | |
| REV: A8 | DESCRIPTION | 2012/09/27 | | | | | | | | | | | | | | | | | | | | | |

12 11 10 9 8 7 6 5 4 3 2 1