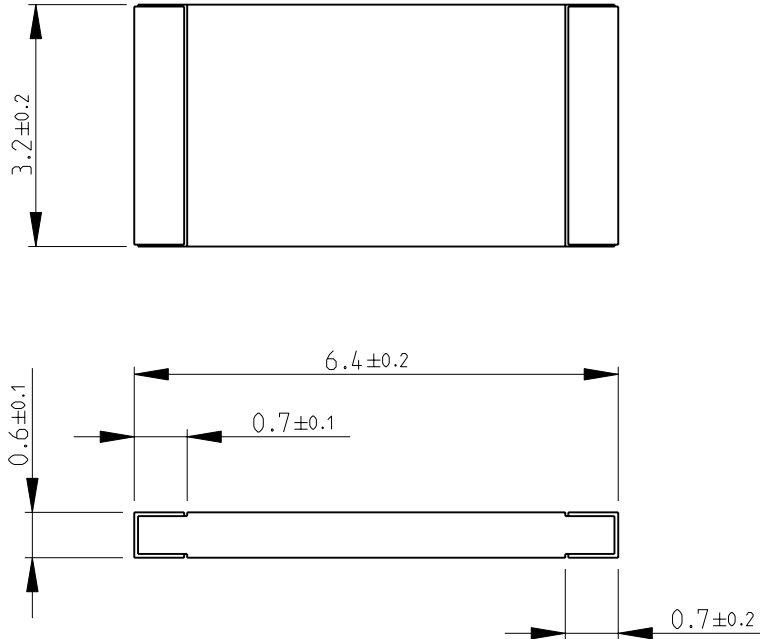
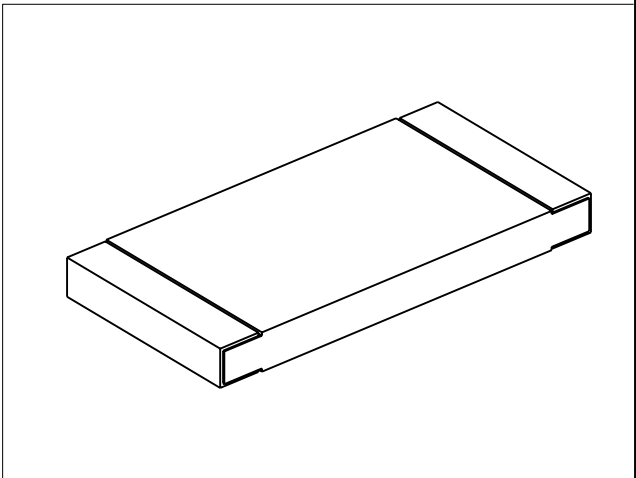


LOC	DIST	REVISIONS			
P	LTR	DESCRIPTION	DATE	DWN	APVD
E	B	BA1	REVISED PER ECO-11-005150	28MAR2011	RK HMR



FOR FURTHER INFORMATION SEE DATA SHEET FOR  
3520 SERIES-SMD POWER RESISTORS

RoHS Compliant



2008


RELEASED FOR PUBLICATION

ALL RIGHTS RESERVED.

THIS DRAWING IS UNPUBLISHED.

BY -

© COPYRIGHT 2008

DIMENSIONS: mm	DWN SUBHASH.M	01-DEC-08	MATERIAL	-	FINISH	-	
	CHK PRAKASH.S	01-DEC-08	 TE Connectivity				
TOLERANCES UNLESS OTHERWISE SPECIFIED:	APVD STEPHEN.P	01-DEC-08					
	0 PLC $\pm 0.2$	PRODUCT SPEC	NAME SMD POWER RESISTOR SERIES 3520				
1 PLC $\pm 0.1$	-						
2 PLC $\pm$	APPLICATION SPEC	SIZE	CAGE CODE	DRAWING NO	RESTRICTED TO		
3 PLC $\pm$	-	A 4	00779	C-1622820	-		
4 PLC $\pm$	-	CUSTOMER DRAWING				SCALE	10:1
ANGLES $\pm 5^\circ$	WEIGHT	-	SHEET 1 OF 1				REV BA1

# Mouser Electronics

Authorized Distributor

Click to View Pricing, Inventory, Delivery & Lifecycle Information:

[TE Connectivity:](#)

[3520150KJT](#)