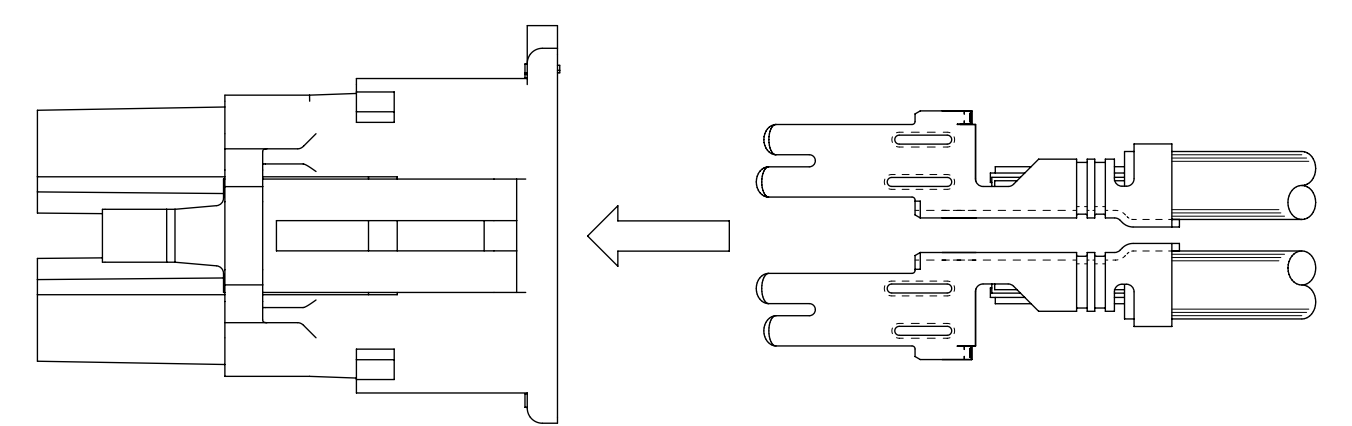
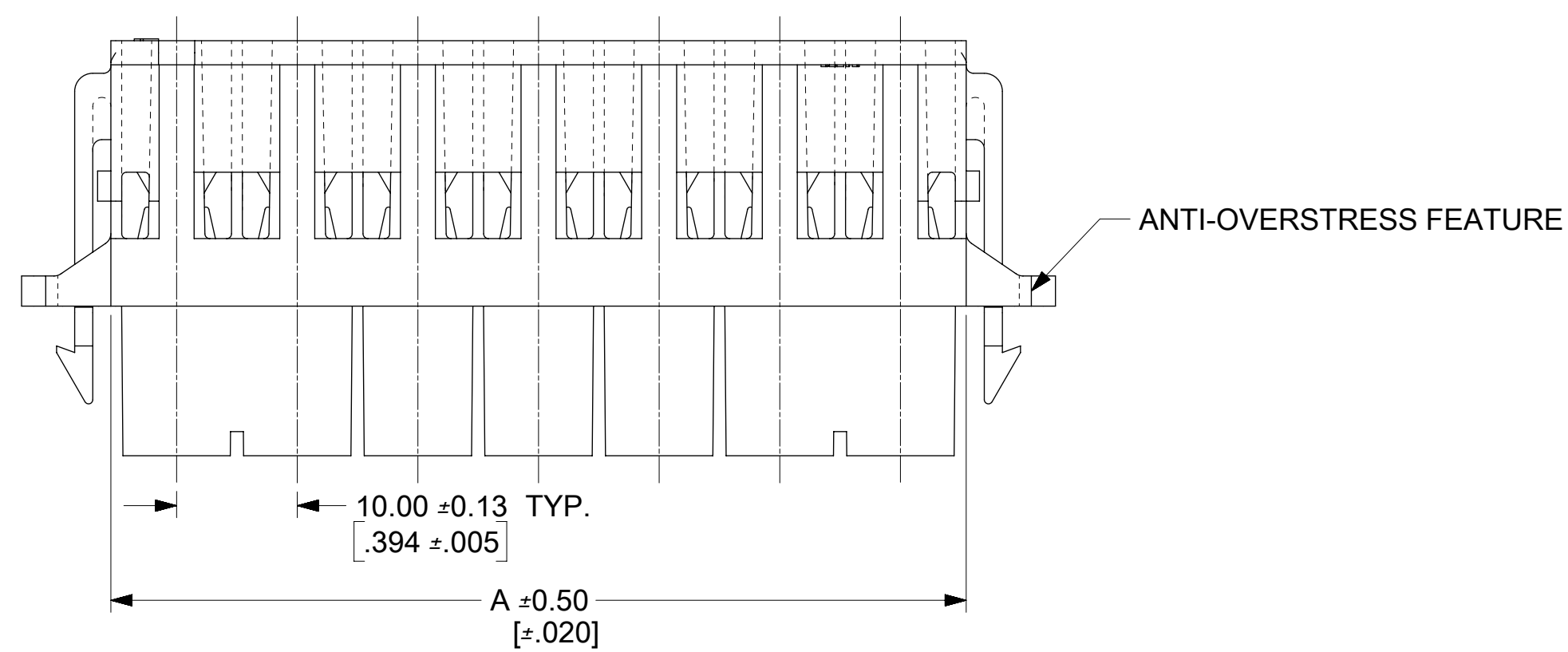


MATERIAL NUMBER	CIRCUITS	DIM. A	DIM. B	POLARIZING WEBS	
				PRESENT	QTY.
43914-1001	6	30.90/[1.217]	45.70/[1.799]	NO	0
43914-1002	8	40.90/[1.610]	55.70/[2.193]	NO	0
43914-1003	10	50.90/[2.004]	65.70/[2.587]	NO	0
43914-1004	12	60.90/[2.398]	75.70/[2.980]	NO	0
43914-1005	14	70.90/[2.791]	85.70/[3.374]	NO	0
43914-1101	6	30.90/[1.217]	45.70/[1.799]	YES	1
43914-1102	8	40.90/[1.610]	55.70/[2.193]	YES	2
43914-1103	10	50.90/[2.004]	65.70/[2.587]	YES	2
43914-1104	12	60.90/[2.398]	75.70/[2.980]	YES	2
43914-1105	14	70.90/[2.791]	85.70/[3.374]	YES	2

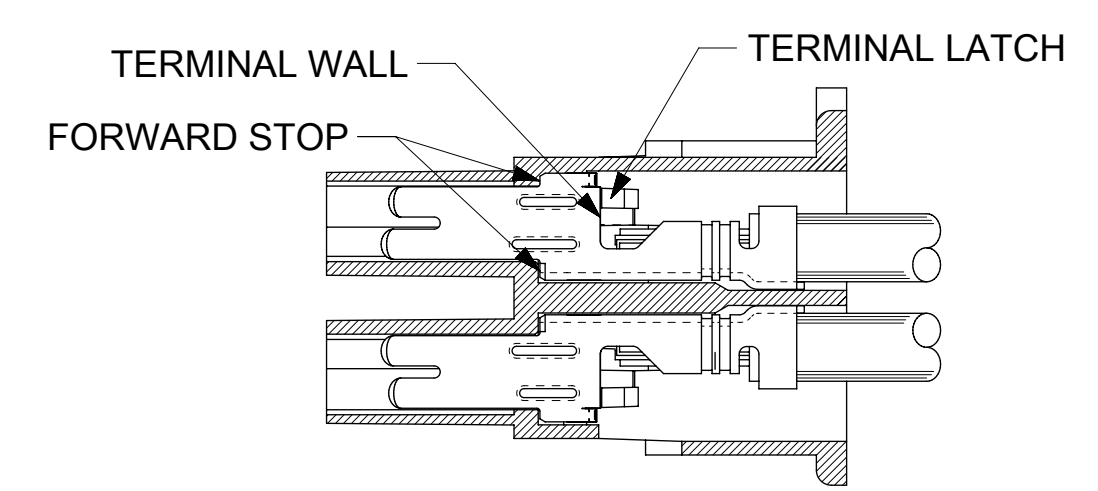
OBSOLETE

NOTES:

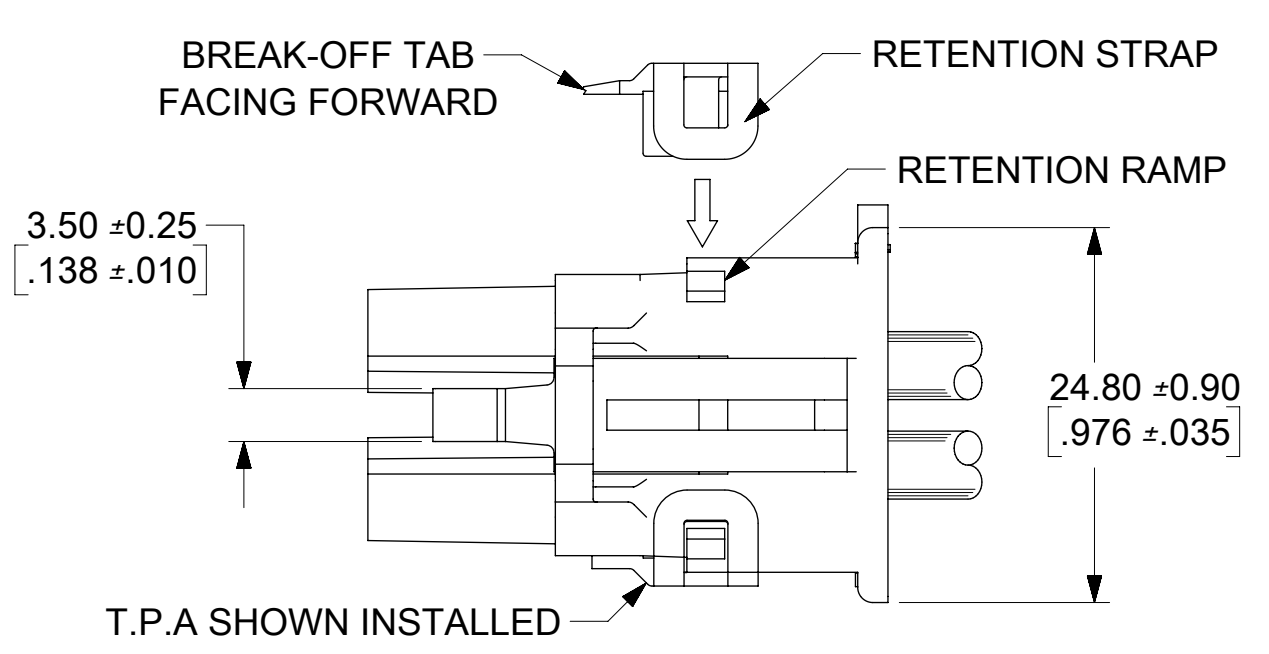
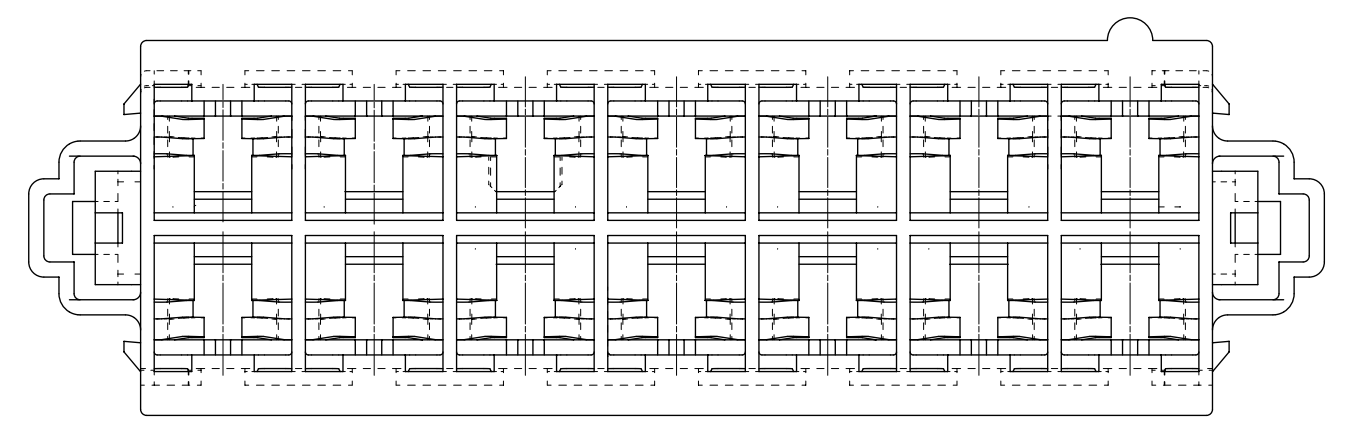
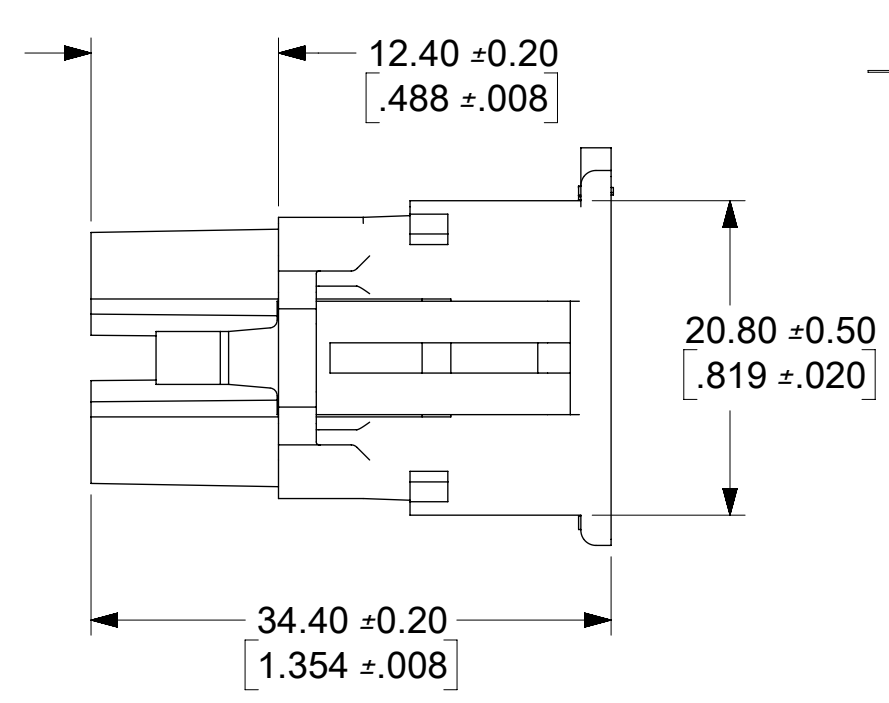
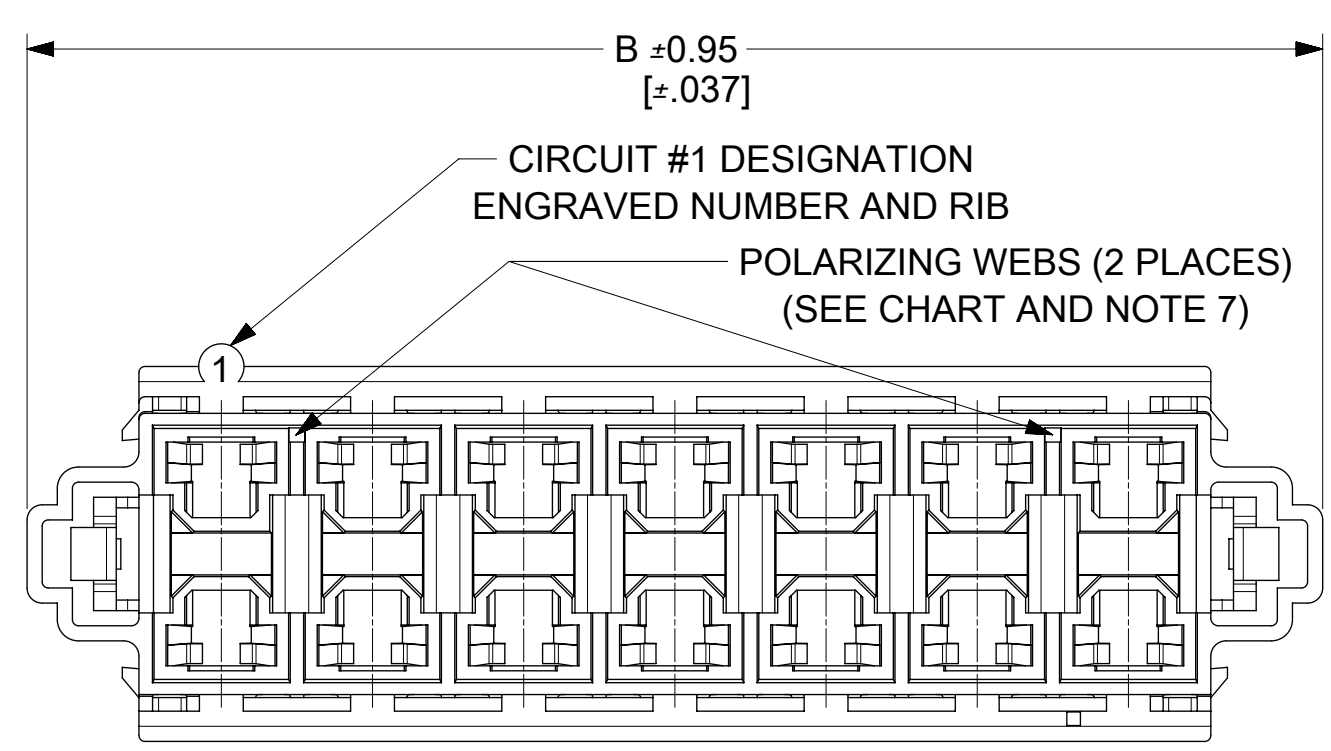
1. MATERIAL : POLYESTER, U.L. 94V-0. COLOR: BLACK
2. PRODUCT SPEC.: PS-42815-001
3. USES STANDARD 42815 MINI-FIT SR. FEMALE CRIMP TERMINALS.
4. EACH WIRE MUST BE DRESSED SUCH THAT THE TERMINAL MAINTAINS ITS FREE FLOAT WITHIN THE HOUSING.
5. TPA #43980 MUST ALWAYS BE USED WITH THIS CONNECTOR.
6. PART MATES WITH MOLEX HEADER 43915.
7. POLARIZING WEBS TO BE LOCATED BETWEEN CIRCUITS ON EITHER END OF HOUSING OF THE CIRCUIT 1 ROW AS SHOWN. EXCEPTION: THE 6 CIRCUIT HOUSING WILL HAVE A SINGLE WEB ON THE CIRCUIT 1 END.



STEP 1. TERMINALS ARE TO BE ORIENTATED AND LOADED INTO HOUSING AS SHOWN.



STEP 2. TERMINALS ARE LOADED WHEN SEATED AGAINST FORWARD STOP AND TERMINAL LATCHES ARE SNAPPED BEHIND TERMINAL WALLS. RETENTION FORCE AT THIS STAGE = 0.5 Kg.



STEP 3. AFTER TERMINALS ARE LOADED INTO HOUSING, T.P.A. IS TO BE "BROKEN OR CUT" IN HALF, ORIENTATED AND INSTALLED IN THE DIRECTION SHOWN UNTIL THE RETENTION STRAPS SNAP OVER THE RETENTION RAMPS. THIS PRODUCT MUST NEVER BE USED WITHOUT THE INSTALLATION OF THE T.P.A

*** THIS PRODUCT MUST NEVER BE USED WITHOUT THE T.P.A ***

THIS DRAWING CONTAINS INFORMATION THAT IS PROPRIETARY TO MOLEX ELECTRONIC TECHNOLOGIES, LLC AND SHOULD NOT BE USED WITHOUT WRITTEN PERMISSION												
EC NO: 169759 DRWN: ME CHKD: SGANGADHARDO REV / APPR: ISHWARG	2017/12/20		2018/01/17		2018/01/17		GENERAL TOLERANCES (UNLESS SPECIFIED)		DIMENSION UNITS		SCALE	
	MM		INCH		MM		INCH		MM/[INCH]		2:1	
	4 PLACES ±		±		COMERCI		DATE		1997/08/20		<p>RECEPTACLE HOUSING DUAL ROW 6-14 CIRCUIT (MINI-FIT SR.)</p> <p>PRODUCT CUSTOMER DRAWING</p>	
	3 PLACES ±		±		CHK'D BY		DATE		1997/08/25			
	2 PLACES ±		±		COMERCI		DATE		1997/08/26			
1 PLACES ±		±		APPR BY		DATE		1997/08/26				
0 PLACES ±		±		FRY		DATE		1997/08/26				
ANGULAR TOL ±					DRAWING SIZE		THIRD ANGLE PROJECTION					
DRAFT WHERE APPLICABLE MUST REMAIN WITHIN DIMENSIONS					C							
SERIES			MATERIAL NUMBER			CUSTOMER						
43914			SEE CHART			GENERAL MARKET						
DOCUMENT NUMBER			DOC TYPE			DOC PART		SHEET NUMBER				
SD-43914-002			PSD			001		1 OF 1				