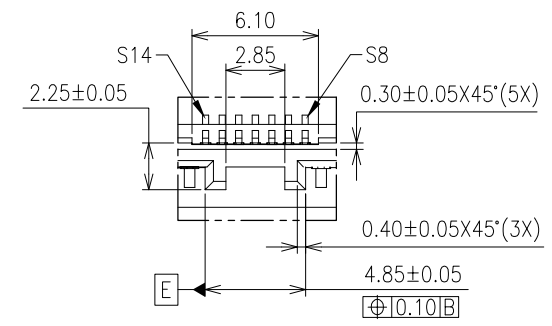
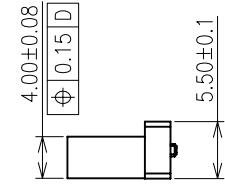
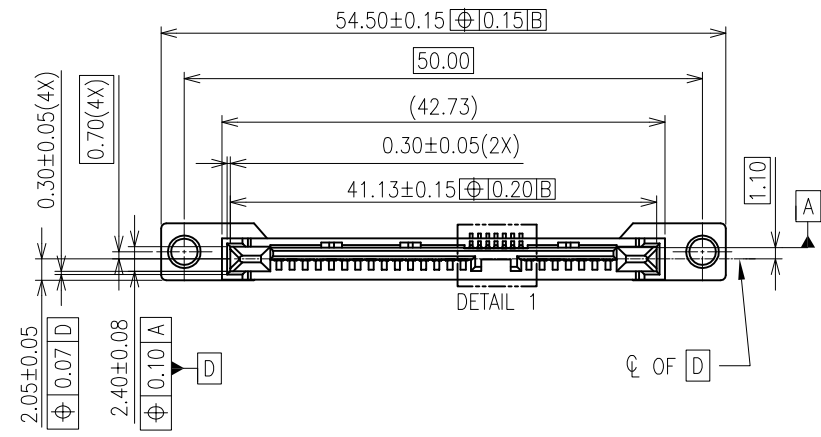
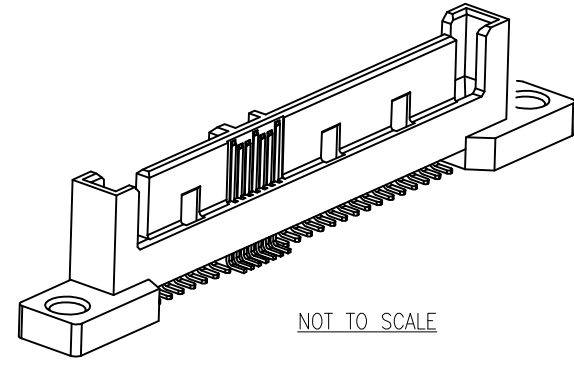
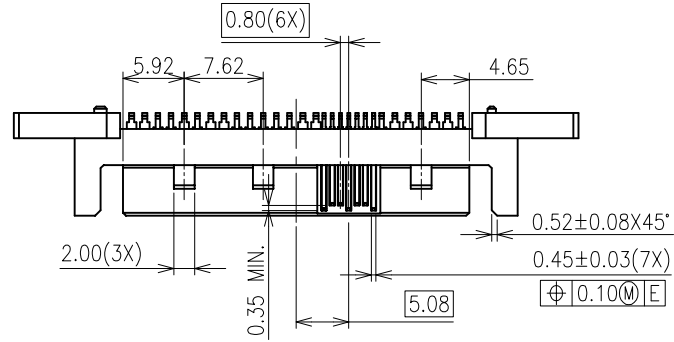


3M™ Serial Attached SCSI (SAS) Connector
Surface Mount, Vertical Plug, SBH Series

REVISION RECORD		
REV.	ECR/ECN/ECO NUMBER	DATE
C	ECO-0038741	19/03/12



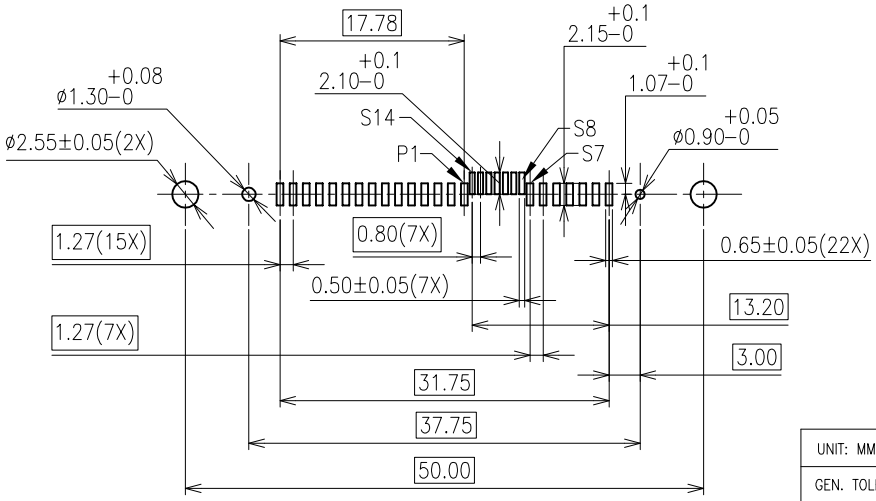
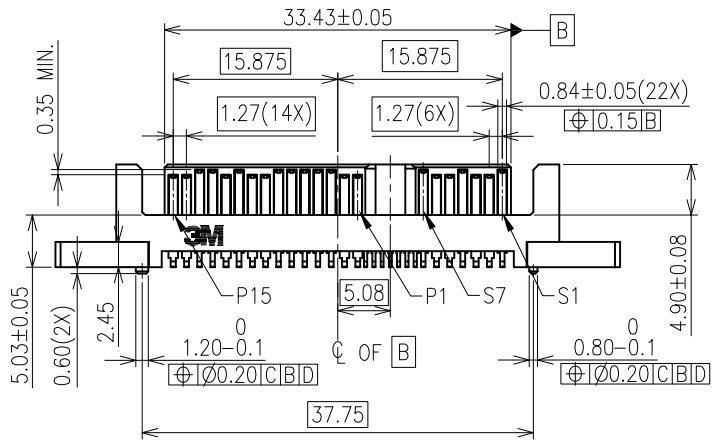
DETAIL 1
SCALE: 4:1

Visit <http://www.3Mconnectors.com>

UNIT: MM	DFTG OH KIM CHYE	DATE 19/03/12		DIVISION ESD	STATUS RELEASED
GEN. TOLERANCES	CHKD QIAO YUN LONG	DATE 19/03/12		MODEL	
LINEAR .0 =±0.25 .00 =±0.15 ±0.20 .000=±0.05	APPVL ALAN ANG	DATE 19/03/12	TITLE Serial Attached SCSI (SAS) Connector Surface Mount, Vertical Plug		
ANGLE=±± ±3°	THIS DOCUMENT CONTAINS INFORMATION WHICH IS PROPRIETARY TO 3M COMPANY. NO REPRODUCTION OR PUBLICATION OF THIS DOCUMENT, IN WHOLE OR IN PART, SHALL BE MADE WITHOUT AUTHORIZATION FROM 3M. ©3M 2012. ALL RIGHTS RESERVED.		SIZE A3	DRAWING NO. 78-5100-2178-1	REV C
PROJECTION	INTERPRET PER ASME Y14.5M-1994		SCALE : 2:1		DET LIST <input type="checkbox"/> YES <input type="checkbox"/> NO
	CRITICAL DIMENSION: ▲		SHT 1 of 2		

3M™ Serial Attached SCSI (SAS) Connector
Surface Mount, Vertical Plug, SBH Series

REVISION RECORD		
REV.	ECR/ECN/ECO NUMBER	DATE
REFER TO SHT 1 of 2		



RECOMMENDED PCB LAYOUT
PCB THICKNESS 1.422 TO 1.727

Visit <http://www.3Mconnectors.com>

- NOTES:
- RoHS COMPLIANT. SEE REGULATORY INFORMATION APPENDIX IN "RoHS COMPLIANCE" SECTION AT WWW.3M.COM/INTERCONNECT (E1 & C1 APPLY)
 - MEETS SPECIFICATION SAS 2.1
 - PHYSICAL:
HOUSING: HIGH TEMPERATURE THERMOPLASTIC, BLACK, UL94V-0
CONTACT: COPPER ALLOY
 - ELECTRICAL:
CURRENT RATING: POWER PIN: 1.5A
 SIGNAL PIN: 500mA
INSULATION RESISTANCE: 10³ MΩ min.
WITHSTANDING VOLTAGE: 500V_{ac} AT SEA LEVEL
 - ENVIRONMENTAL:
OPERATING TEMPERATURE RANGE: -40°C TO +85°C
 - UL FILE NO. E68080
 - ORDERING INFORMATION:
SBH-ST-29-SM-ML
PLATING:
ML: 30u" MIN. Au AT MATING AREA
 : 50u" MIN. Ni UNDERPLATE
 : 100u" MIN. Sn AT TERMINATION AREA

UNIT: MM	DFTG OH KIM CHYE	DATE 19/03/12		DIVISION ESD	STATUS RELEASED		
GEN. TOLERANCES	CHKD QIAO YUN LONG	DATE 19/03/12		MODEL			
LINEAR .0 ±0.25 .00 ±0.15 ±0.20 .000 ±0.05	APPVL ALAN ANG	DATE 19/03/12	TITLE Serial Attached SCSI (SAS) Connector Surface Mount, Vertical Plug				
ANGLE=±± ±3'	THIS DOCUMENT CONTAINS INFORMATION WHICH IS PROPRIETARY TO 3M COMPANY. NO REPRODUCTION OR PUBLICATION OF THIS DOCUMENT, IN WHOLE OR IN PART, SHALL BE MADE WITHOUT AUTHORIZATION FROM 3M. ©3M 2012. ALL RIGHTS RESERVED.			SIZE A3	DRAWING NO. 78-5100-2178-1	REV C	
PROJECTION	INTERPRET PER ASME Y14.5M-1994	CRITICAL DIMENSION: ▲			SCALE : 2:1	DET LIST <input type="checkbox"/> YES <input type="checkbox"/> NO	SHT 2 of 2

Mouser Electronics

Authorized Distributor

Click to View Pricing, Inventory, Delivery & Lifecycle Information:

[3M:](#)

[SBH-ST-29-SM-ML](#)