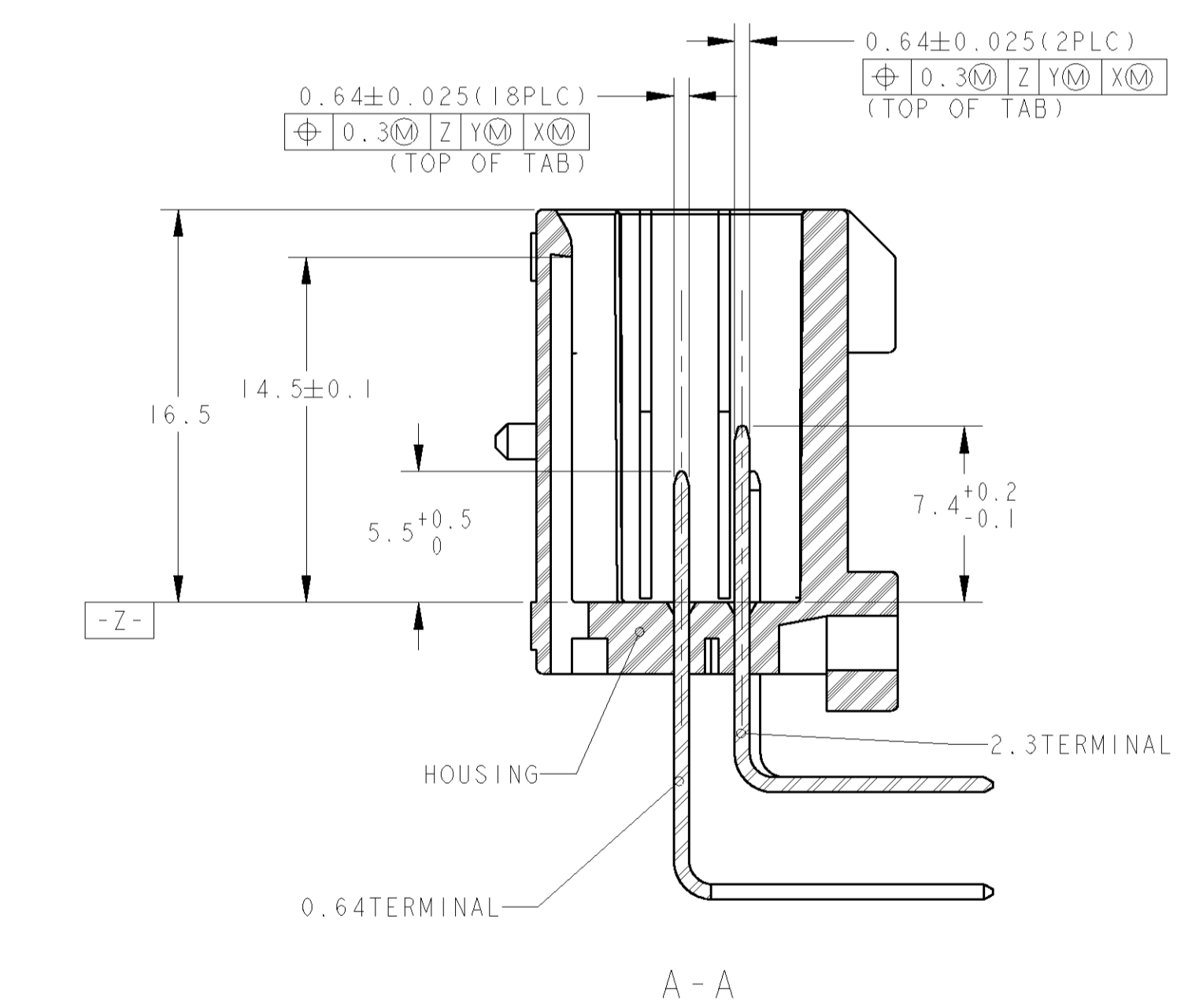
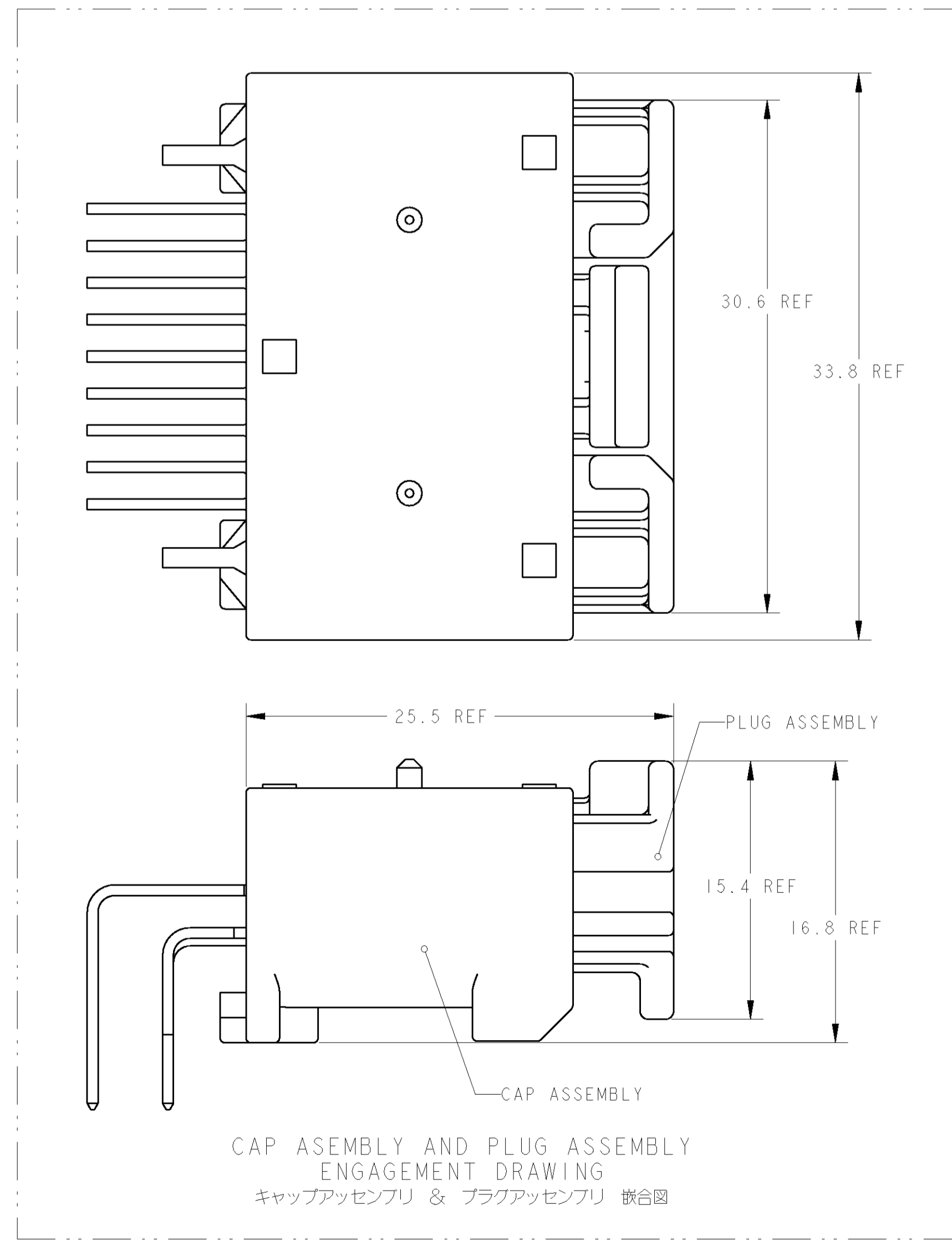
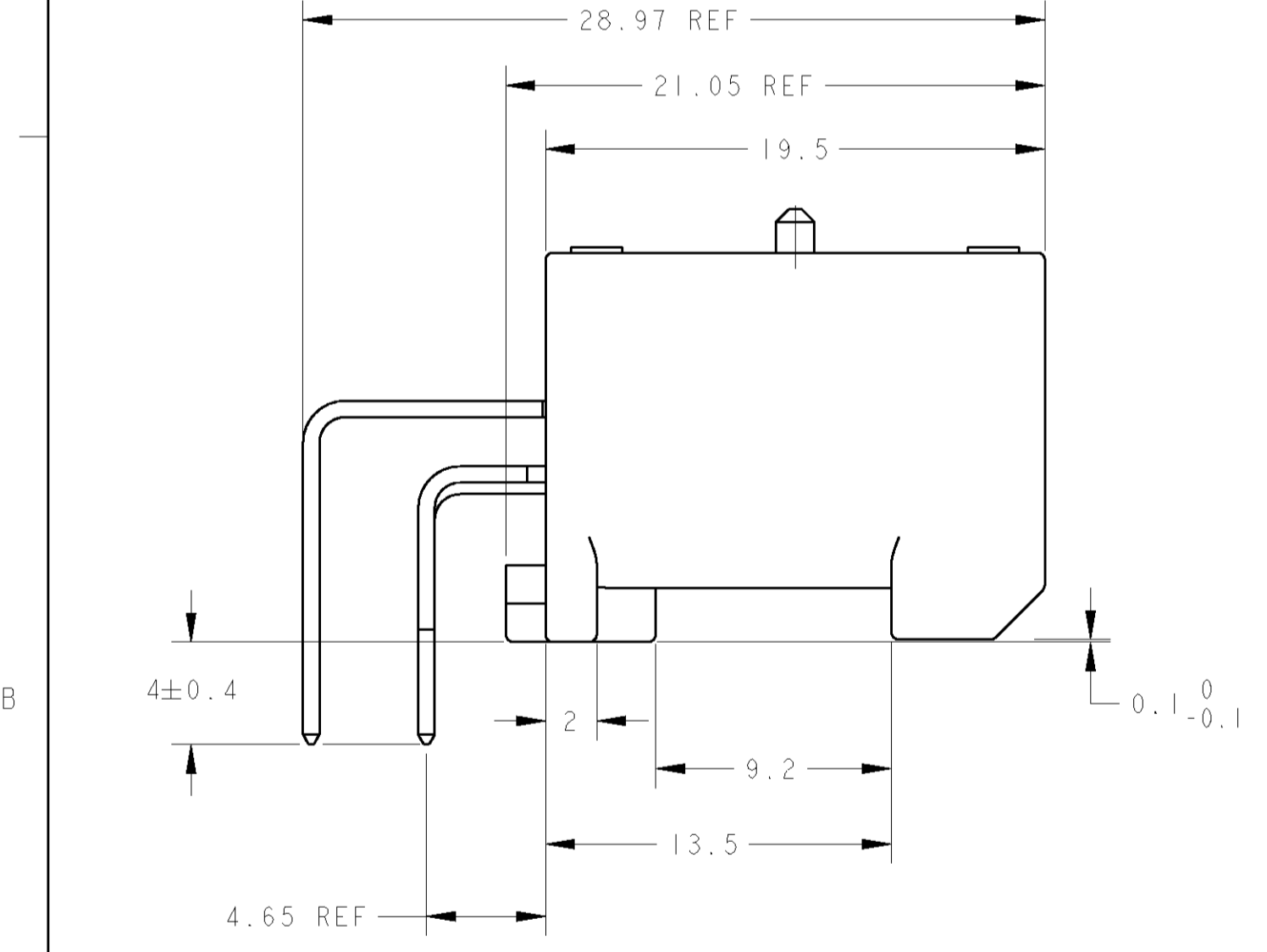
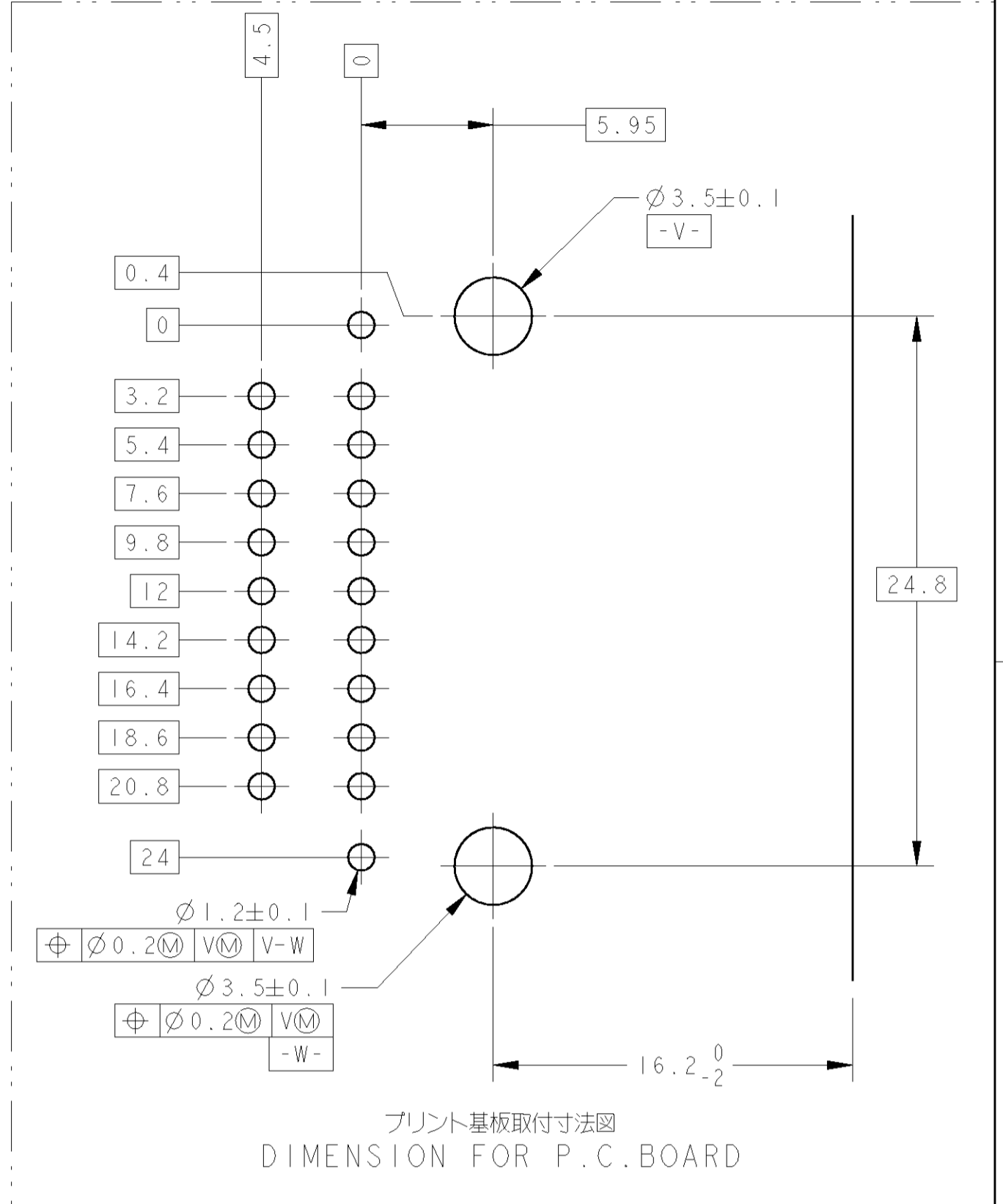
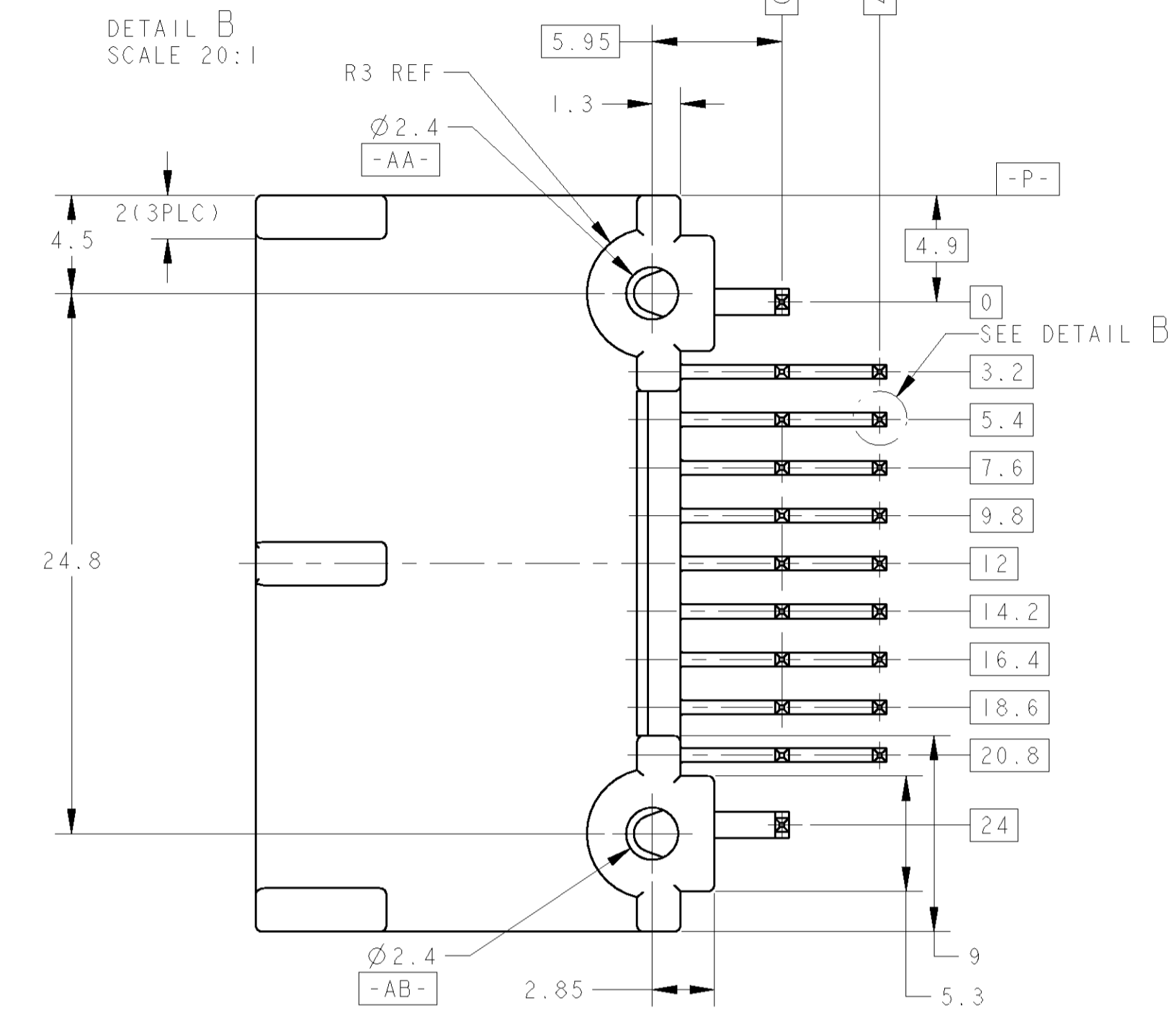
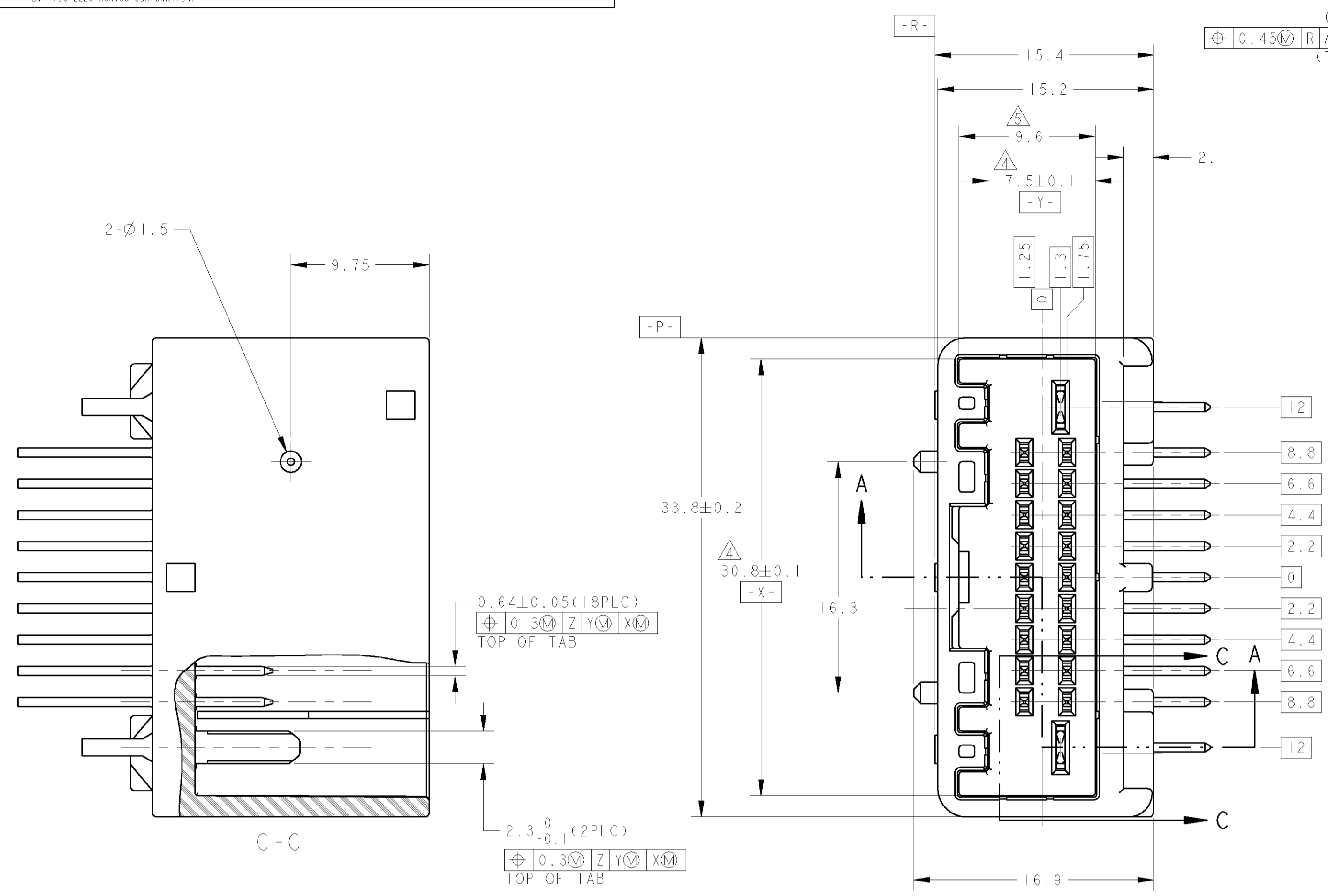


REVISONS		種				
LOC	DIST	P. LTR	DESCRIPTION	DATE	DWN	APVD
		0	RELEASED	FJA0-0170-04	13JUL2004	T.Y. K.S.
		A	REVISED	ECR-08-006459	12MAR2008	Y.N. Y.F.
		A1	ADDED -2	ECR-08-024726	01OCT08	TS. KB



- 嵌合相手ハウジング型番: TABLE-1 参照
 - 推奨取付ねじ
 JIS B115, B1122 タッピングねじ
 なべ2種 呼び径 3, 長さ 6以下
 - ねじ締め付トルク: 0.392N・m 最大
- \triangle -Z- より8mmの位置で測定
 \triangle -Z- より2mmの位置で測定
- PART NUMBER OF HOUSING TO BE MATE: SEE TABLE-1
 - RECOMMENDED SCREW: PAN-HEADED TYPE 2 TAPPING SCREW OF 3DIA X 6LEN (MAX) (JIS B115, B1122)
 - FASTING TORQUE FOR SCREW: 0.392N・m MAX.
- \triangle MEASURED AT 8mm FROM -Z-
 \triangle MEASURED AT 2mm FROM -Z-

TABLE-1

No.	極数	PLUG ASSEMBLY P/N プラグ・アッセンブリ型番
1	20	1674646
2	20	2040487

PAPER BOX ダンボール箱	PLASTIC TUBE プラスチックチューブ	SELECTIVE-TIN (MATTIE)	SELECTIVE-TIN (BRIGHT)	NATURAL 自然色	1674477-2
PAPER BOX ダンボール箱	PLASTIC TUBE プラスチックチューブ	PRE-TIN		NATURAL 自然色	1674477-1
OUTER 外装	INNER 内装	SOLDERING SIDE 半田付け部	CONTACT SIDE 接触部側	COLOR 色	PART NUMBER 製品型番
PACKING STYLE 梱包形態		CONTACT FINISH コンタクト仕上			
THIS DRAWING IS UNPUBLISHED. RELEASED FOR PUBLICATION. ALL RIGHTS RESERVED. THIS DRAWING IS UNPUBLISHED. RELEASED FOR PUBLICATION. ALL RIGHTS RESERVED.		DWN T. YAMAMOTO 13JUL2004	Tyco Electronics Corporation Kawasaki, Japan		
DIMENSIONS: mm		TOLERANCES UNLESS OTHERWISE SPECIFIED: mm		DRAWING NO. 0.64/2.3 SERIES CONNECTOR 20 POSITION CAP HOUSING ASSEMBLY	
MATERIAL P/N		FINISH		RESTRICTED TO CUSTOMER DRAWING	
SEE TABLE		SEE TABLE		SCALE 4:1	
		WEIGHT 7.4g		SHEET 1 OF 1	
		CUSTOMER DRAWING		REV A1	

Mouser Electronics

Authorized Distributor

Click to View Pricing, Inventory, Delivery & Lifecycle Information:

[TE Connectivity:](#)

[1674477-1](#)