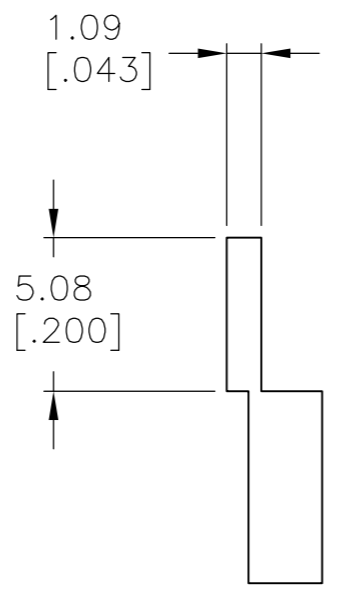
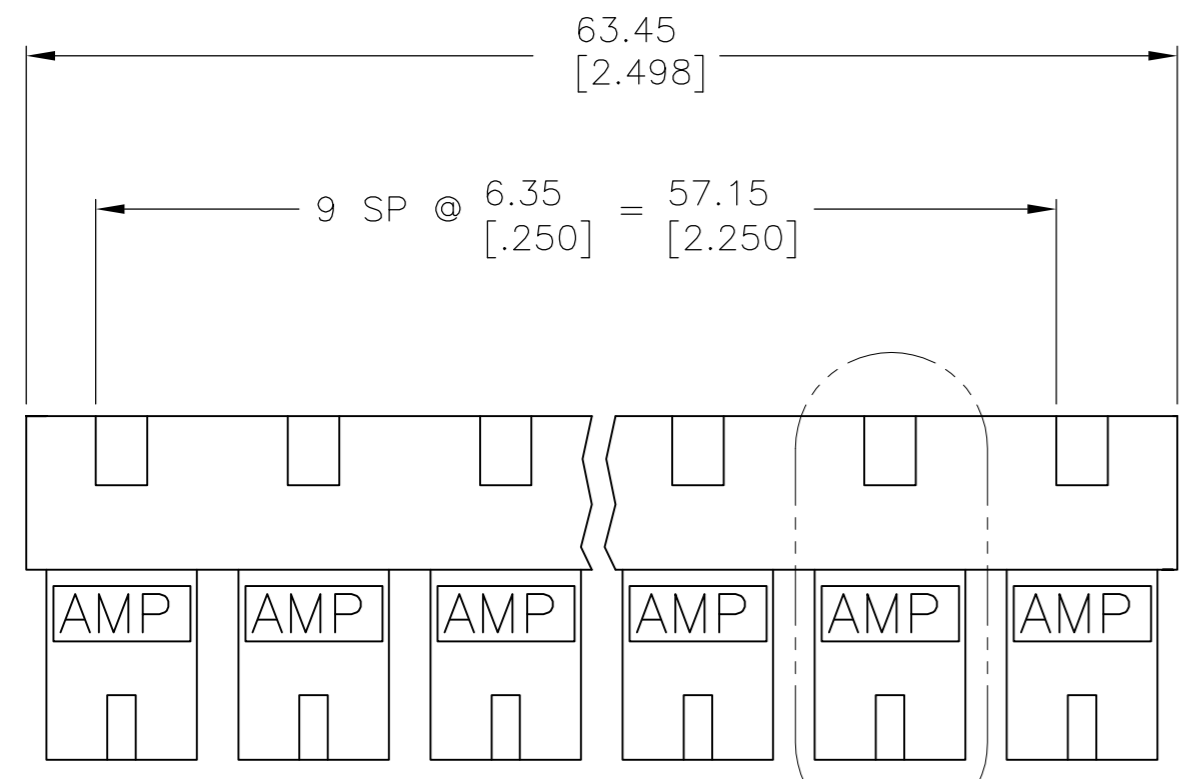


THIS DRAWING IS UNPUBLISHED. RELEASED FOR PUBLICATION
 © COPYRIGHT - By - ALL RIGHTS RESERVED.

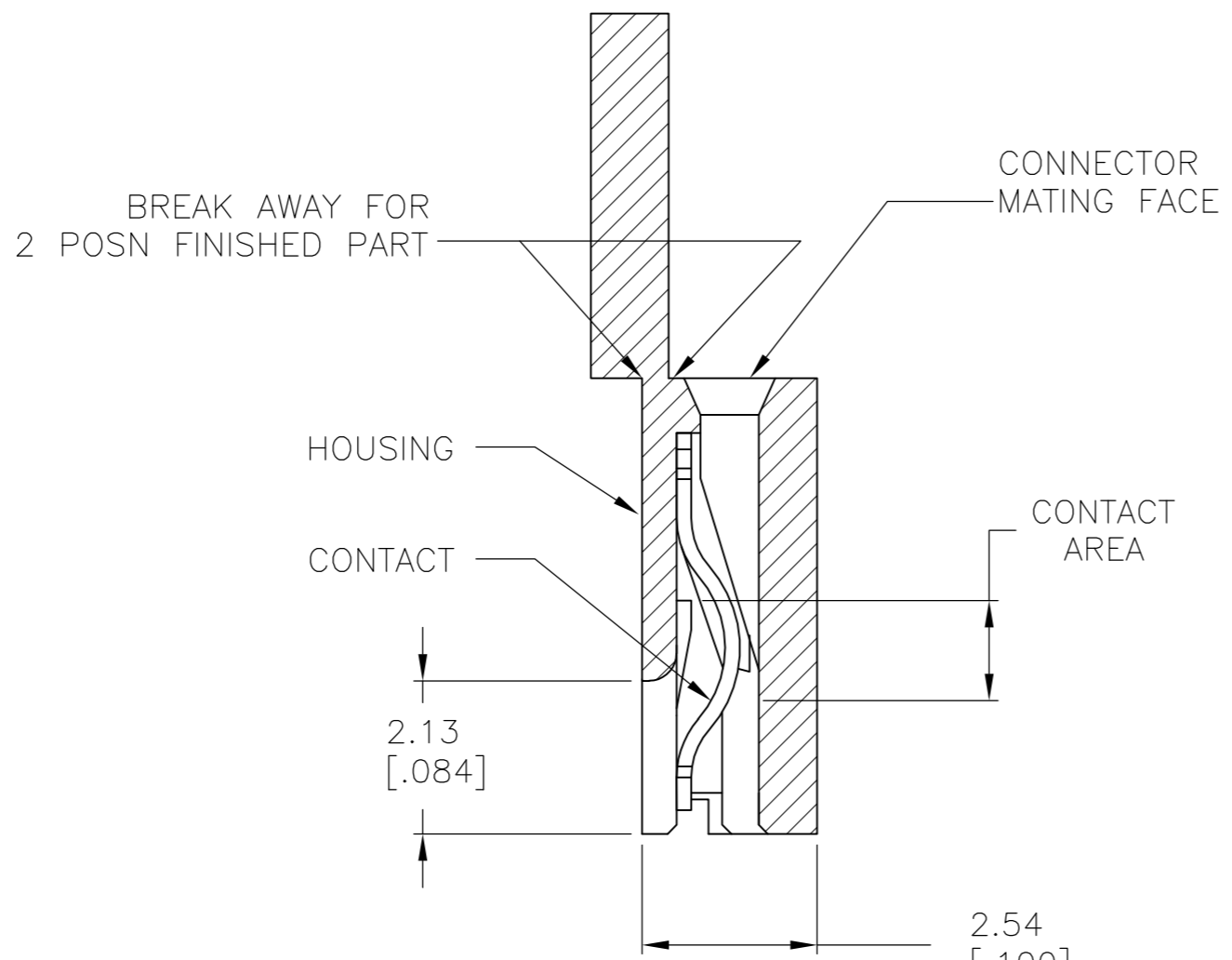
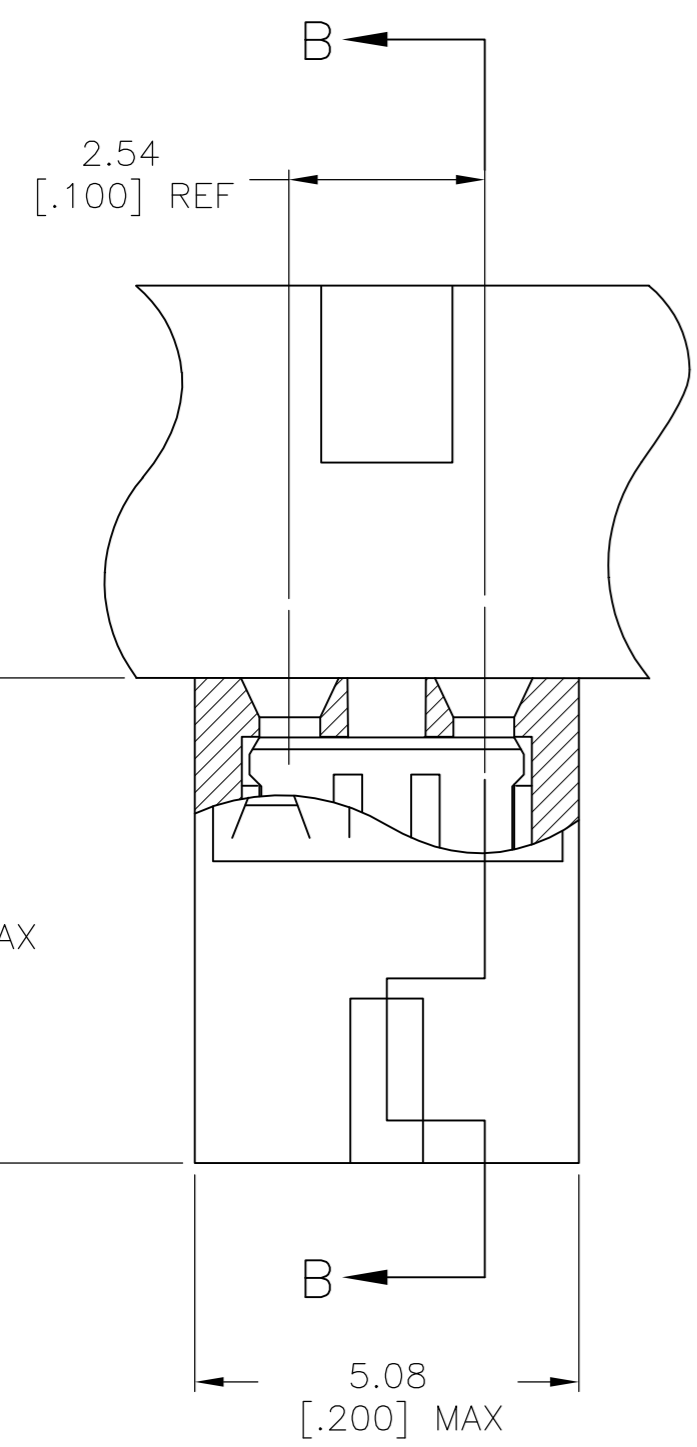
LOC	DIST	REVISIONS					
AG	53	P	LTR	DESCRIPTION	DATE	DWN	APVD
		L		REVISED PER ECO-15-006927	17JUN2015	NK	MM



- 7 PART NO. DENOTES INDIVIDUAL TWO POSITION SHUNT WHICH IS PACKAGED LOOSE PIECE.
- 8 CONTACT PLATED WITH 0.00076[.000030] GOLD IN CONTACT AREA OVER 0.00127[.000050] NICKEL OVERALL.
- 9 CONTACT PLATED WITH 0.00254[.000100] MATTE TIN OVER ALL.

- 1 MATERIAL: HOUSING: GLASS-FILLED POLYESTER, COLOR-SEE TABLE.
- 2 CONTACT PLATED WITH 0.00254[.000100] TIN-LEAD OVER ALL.
- 3 CONTACT PLATED WITH 0.00038[.000015] GOLD IN CONTACT AREA OVER 0.00127[.000050] NICKEL OVER ALL.
- 4 PART NO. DENOTES INDIVIDUAL TWO POSITION SHUNT, WHICH IS PACKAGED ON BREAKAWAY COMBS OF TEN SHUNTS.
- 5 CONNECTOR MATES WITH WIRE WRAP POSTS, 0.64[.025] SQUARE OR ROUND AND 0.56[.022] X 0.66[.026] POSTS. LENGTH 5.08[.200] MINIMUM.
- 6 CONTACT PLATED WITH 0.00013[.000005] GOLD IN CONTACT AREA OVER 0.00127[.000050] NICKEL OVER ALL.

SEE DETAIL A



DETAIL A
SCALE 10:1

SECTION B-B
SCALE 10:1

CONTACT MATERIAL	HOUSING COLOR	FINISH	PART NO
PHOSPHOR BRONZE	BLACK	9	2-382811-1
PHOSPHOR BRONZE	BLACK	8	2-382811-0
PHOSPHOR BRONZE	BLACK	2	1-382811-9
PHOSPHOR BRONZE	BLACK	6	1-382811-8
PHOSPHOR BRONZE	RED	2	1-382811-7
PHOSPHOR BRONZE	BLACK	3	1-382811-6
PHOSPHOR BRONZE	BLACK	8	1-382811-5
PHOSPHOR BRONZE	RED	8	1-382811-4
PHOSPHOR BRONZE	BLUE	8	1-382811-3
PHOSPHOR BRONZE	BLACK	9	1-382811-2
PHOSPHOR BRONZE	BLUE	9	1-382811-1
OBSELETE BERYLLIUM COPPER	BLACK	3	1-382811-0
PHOSPHOR BRONZE	RED	3	382811-9
PHOSPHOR BRONZE	BLACK	6	382811-8
PHOSPHOR BRONZE	RED	9	382811-7
PHOSPHOR BRONZE	BLACK	3	382811-6
PHOSPHOR BRONZE	BLACK	2	382811-5
PHOSPHOR BRONZE	BLUE	6	382811-4
PHOSPHOR BRONZE	RED	6	382811-3
PHOSPHOR BRONZE	BLUE	3	382811-2
PHOSPHOR BRONZE	BLUE	2	382811-1

THIS DRAWING IS A CONTROLLED DOCUMENT.

DIMENSIONS: mm [INCHES]	TOLERANCES UNLESS OTHERWISE SPECIFIED: 0 PLC ± - 1 PLC ± - 2 PLC ± 0.26 [.010] 3 PLC ± - 4 PLC ± - ANGLES ± -	DWN W. SORAH 8-18-93 CHK R. TALLEY 8-23-93 APVD D. HUFFMAN 8-23-93	TE Connectivity
MATERIAL HOUSING CONTACT: SEE TABLE	FINISH SEE TABLE	PRODUCT SPEC 108-1476 APPLICATION SPEC 114-1059	ECONOMY SHUNT ASSEMBLY
CUSTOMER DRAWING		WEIGHT -	RESTRICTED TO -
SCALE 4:1		SHEET 1 OF 1	REV L

Mouser Electronics

Authorized Distributor

Click to View Pricing, Inventory, Delivery & Lifecycle Information:

[TE Connectivity:](#)

[382811-5](#)