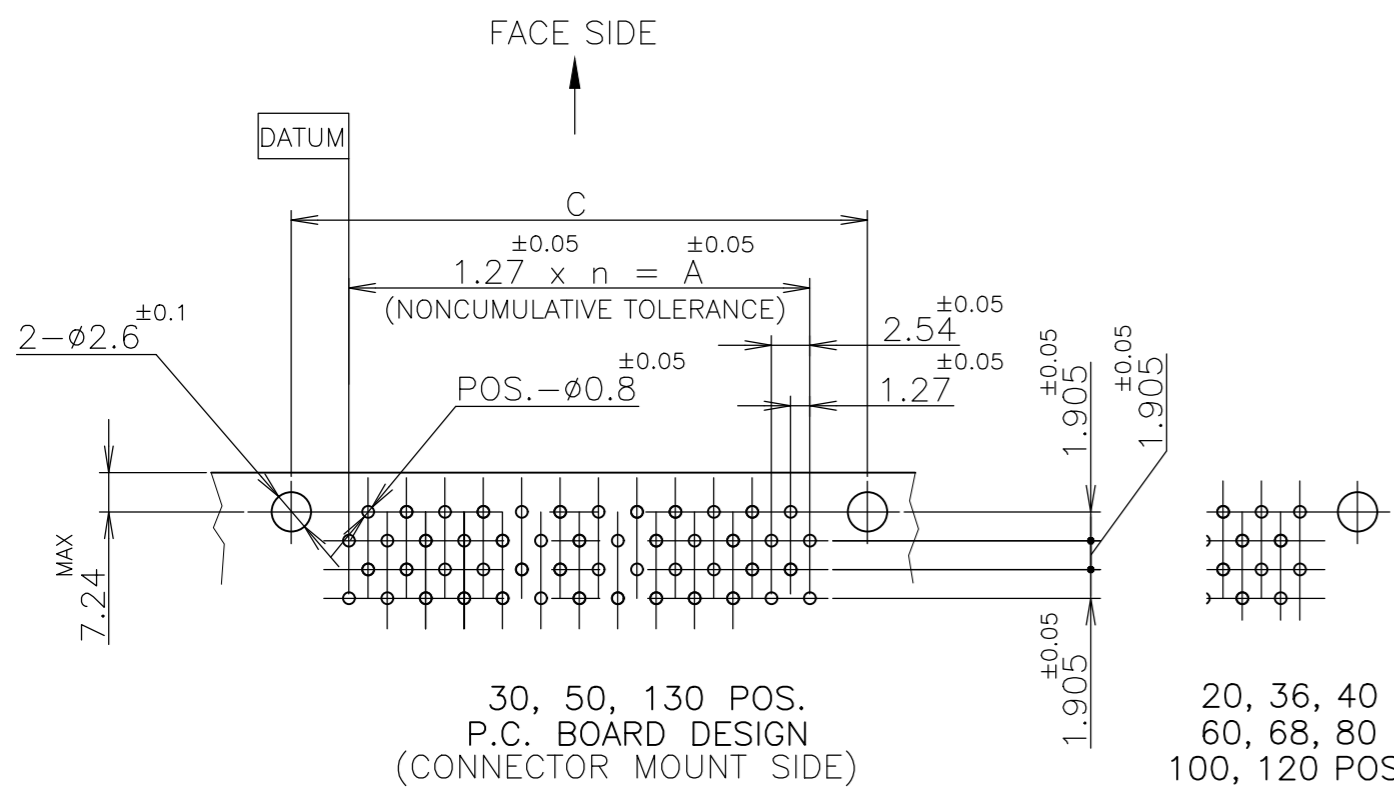
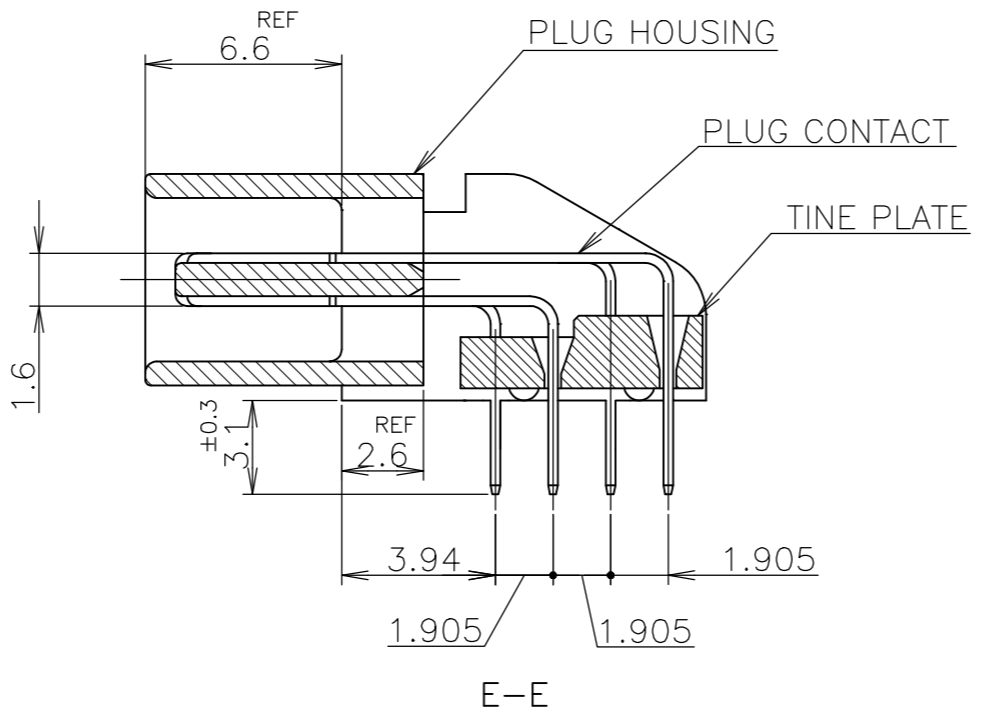
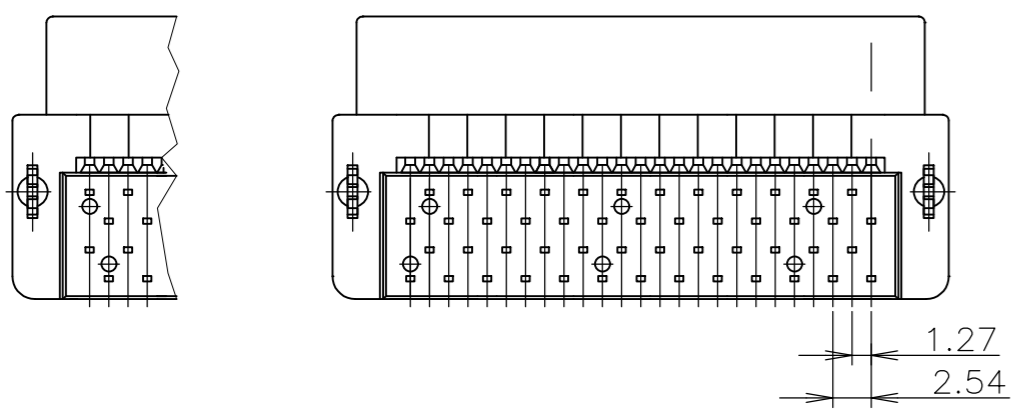
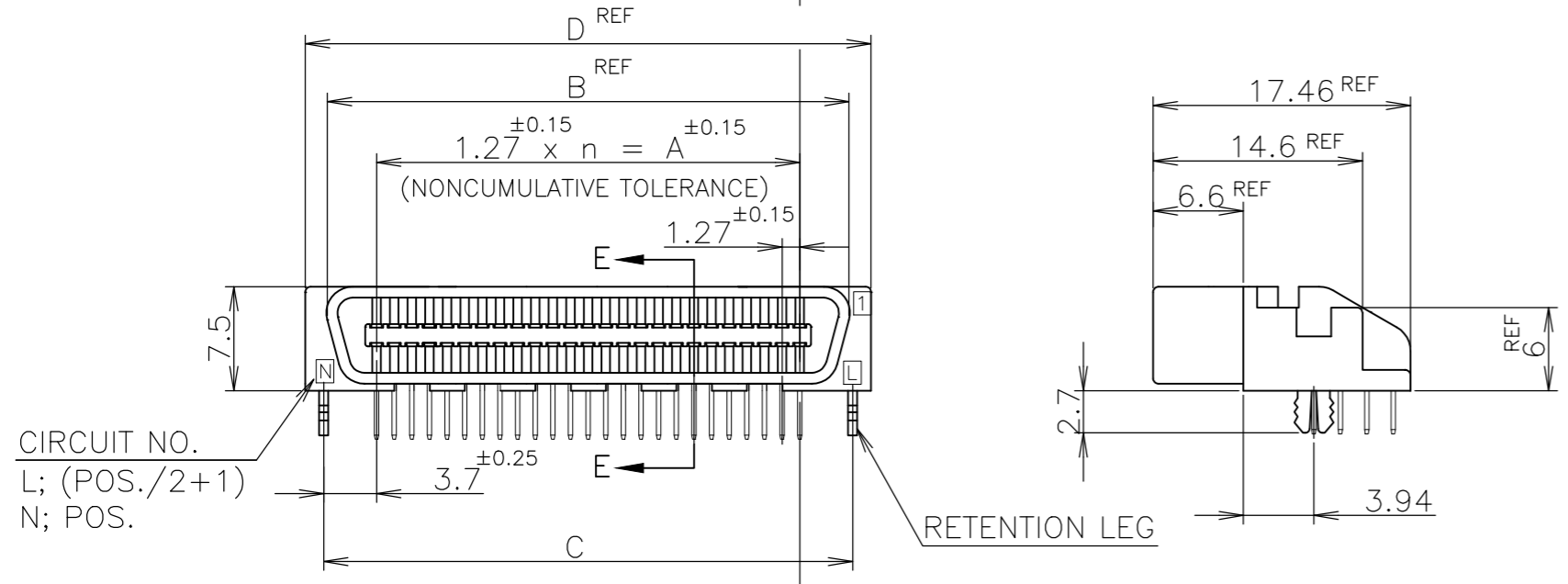
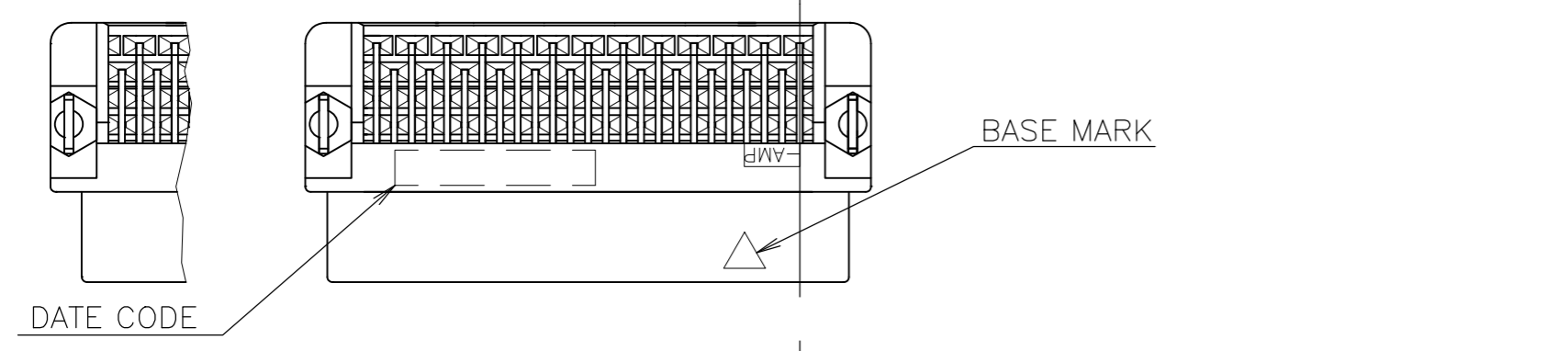


THIS DRAWING IS UNPUBLISHED. RELEASED FOR PUBLICATION AUG 2004  
 © COPYRIGHT 2004 By - ALL RIGHTS RESERVED.

REVISIONS					
P	LTR	DESCRIPTION	DATE	DWN	APVD
C		REVISED PER ECO-17-008763	22JAN2018	RG	SH

20, 40, 60, 68, 80  
100, 120 POS.  
30, 50, 130 POS.



30, 50, 130 POS.  
P.C. BOARD DESIGN  
(CONNECTOR MOUNT SIDE)  
20, 36, 40  
60, 68, 80  
100, 120 POS.

- 1 NUMBER "n" IS COUNTED FROM DATUM (CIRCUIT NO.1 IS "AMP" MARK SIDE.)
- MATERIA: HOUSING, 66 NYLON (GF) UL 94V-0, BLACK.  
: CONTACT, PHOSPHOR BRONZE.  
: RETENTION LEG; BRASS.
- FINISH: CONTACT; Au AT CONTACT AREA (SEE TABLE), TIN AT TINE, OVER Ni.  
RETENTION LEG; TIN UNDER Ni.

OBSOLETE	6	-2			130	64	81.28	89.62	88.68	92.48			
OBSOLETE	6	-1			120	59	74.93	83.27	82.33	86.13			
	6	-0			100	49	62.23	70.57	69.63	73.43			
	5	-9			80	39	49.53	57.87	56.93	60.73			
	5	-8			68	33	41.91	50.25	49.31	53.11			
	5	-7			60	29	36.83	45.17	44.23	48.03			
	5	-6			50	24	30.48	38.82	37.88	41.68			
	5	-5			40	19	24.13	32.47	31.53	35.33			
	5	-4			36	17	21.59	29.93	28.99	32.79			
OBSOLETE	5	-3			30	14	17.78	26.12	25.18	28.98			
OBSOLETE	5	-1		0.00076	20	9	11.43	19.77	18.83	22.63			
OBSOLETE	4	-2			130	64	81.28	89.62	88.68	92.48			
	4	-1			120	59	74.93	83.27	82.33	86.13			
	4	-0			100	49	62.23	70.57	69.63	73.43			
	3	-9			80	39	49.53	57.87	56.93	60.73			
	3	-8			68	33	41.91	50.25	49.31	53.11			
	3	-7			60	29	36.83	45.17	44.23	48.03			
	3	-6			50	24	30.48	38.82	37.88	41.68			
	3	-5			40	19	24.13	32.47	31.53	35.33			
OBSOLETE	3	-4			36	17	21.59	29.93	28.99	32.79			
	3	-3			30	14	17.78	26.12	25.18	28.98			
	3	-1		0.0005	20	9	11.43	19.77	18.83	22.63			
OBSOLETE	1	-2			130	64	81.28	89.62	88.68	92.48			
	1	-1			120	59	74.93	83.27	82.33	86.13			
	1	-0			100	49	62.23	70.57	69.63	73.43			
OBSOLETE		-9			80	39	49.53	57.87	56.93	60.73			
		-8			68	33	41.91	50.25	49.31	53.11			
		-7			60	29	36.83	45.17	44.23	48.03			
OBSOLETE		-6			50	24	30.48	38.82	37.88	41.68			
OBSOLETE		-5			40	19	24.13	32.47	31.53	35.33			
		-4			36	17	21.59	29.93	28.99	32.79			
		-3			30	14	17.78	26.12	25.18	28.98			
					20	9	11.43	19.77	18.83	22.63			
					5175472-1		0.0002						
					PART NO.	Au PLATE	POS.	n	A	B	C	D	

LEAD FREE

GENERAL TOLERANCE  
 10 ≥ ±0.2  
 30 ≥ > 10: ±0.25  
 100 ≥ > 30: ±0.3  
 ANGLES: ±3°

THIS DRAWING IS A CONTROLLED DOCUMENT.

DWN	18AUG2004	Julyee Zhu
CHK	18AUG2004	Steven Yao
APVD	18AUG2004	Ikuo Enomoto

NAME: AMP CHAMP .050 CONNECTOR (B-T-B) PLUG CONNECTOR (HORIZONTAL WITH RETENTION LEG)

PRODUCT SPEC: 108-60038

APPLICATION SPEC: 108-60038

WEIGHT: 0.000000

CUSTOMER DRAWING

SCALE: NTS

SHEET: 1 OF 1

REV: C

RESTRICTED TO

# Mouser Electronics

Authorized Distributor

Click to View Pricing, Inventory, Delivery & Lifecycle Information:

[TE Connectivity:](#)

[5-5175472-5](#)