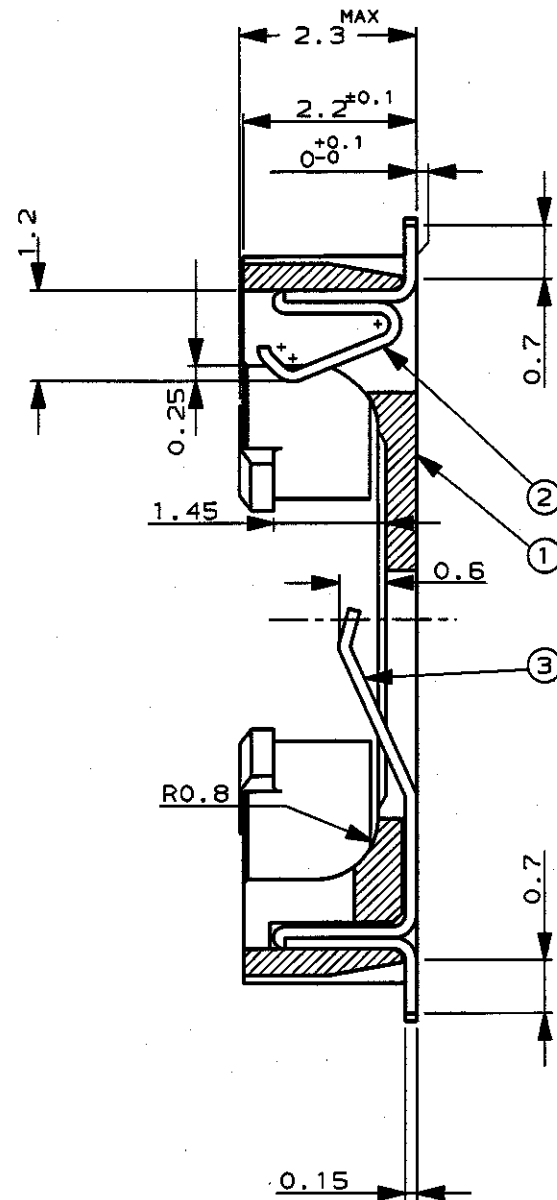
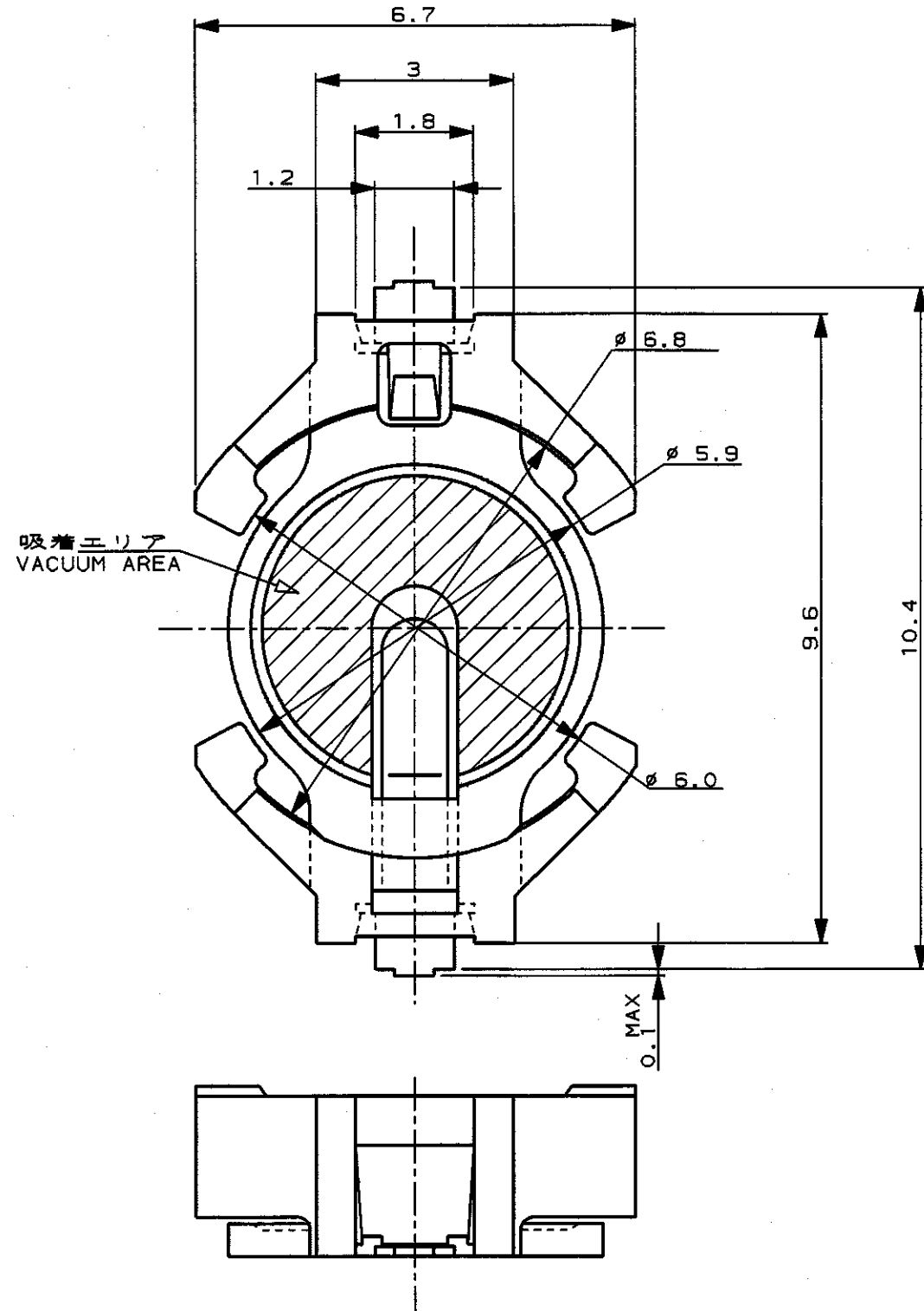


LOC J
DIST

REVISIONS

P	LTR	DESCRIPTION	ECN	DATE	DWN	APVD
0		RELEASED	FJ00-1654-98	16NOV'98	T.K	K.K
A		REVISED	FJ00-0396-99	23APR'99	T.K	K.K




注記

- △ 重量 0.073g
- 2. エンボステープ入り型番: 1318164-1
単品型番: 1318164-2

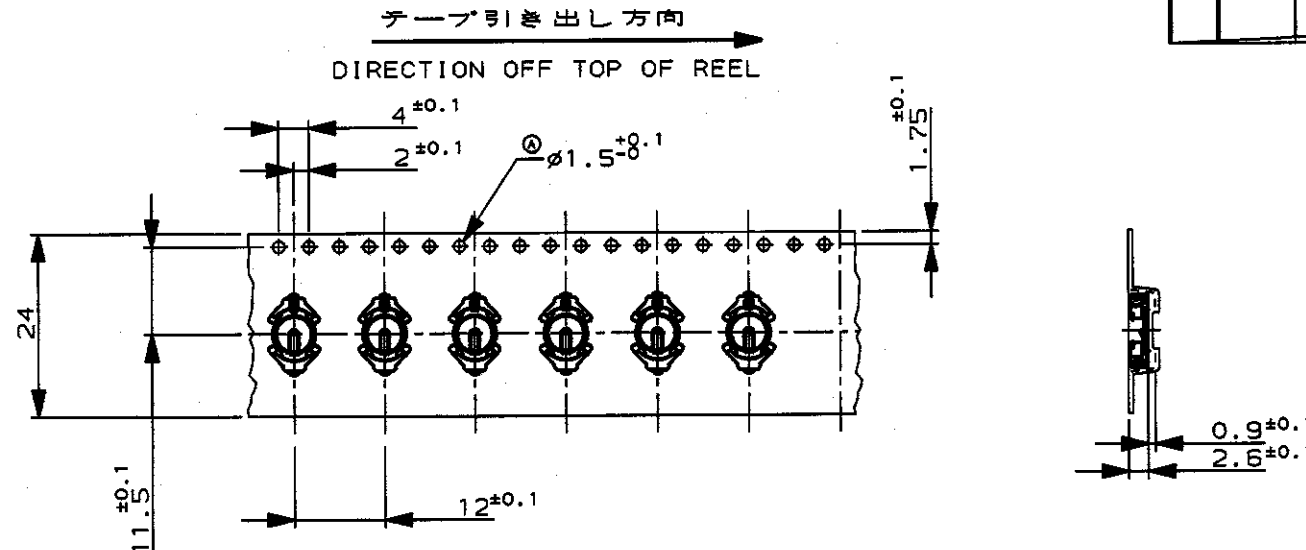
NOTES

- △ NET WEIGHT, 0.073g
- 2. P/N WITH EMBOSS TAPE : 1318164-1
LOOSE PIECE : 1318164-2

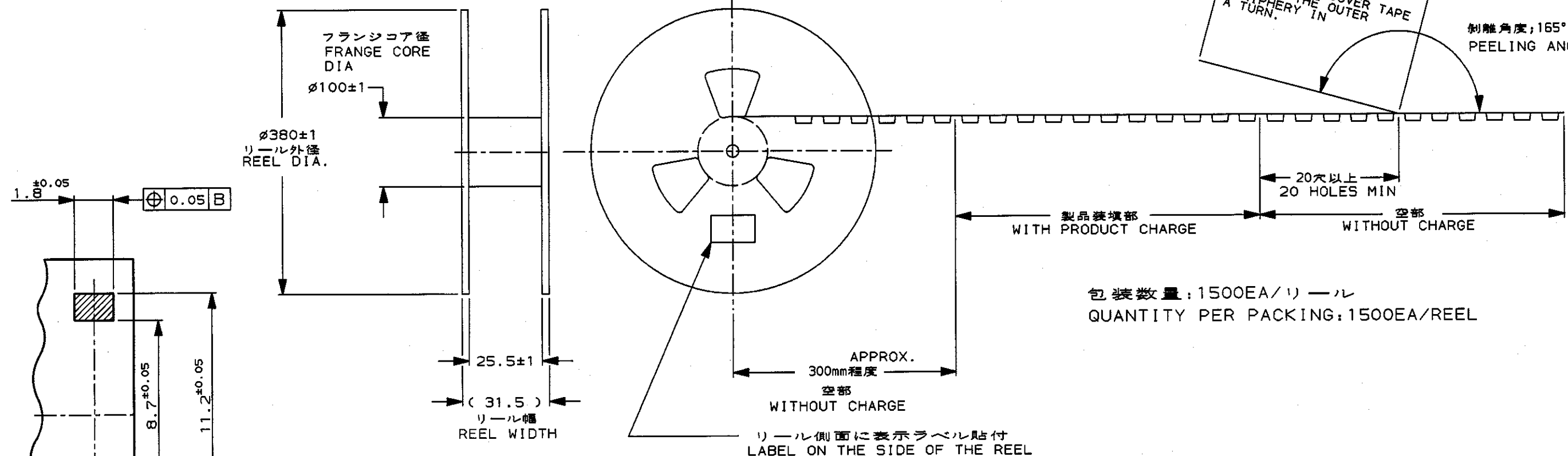
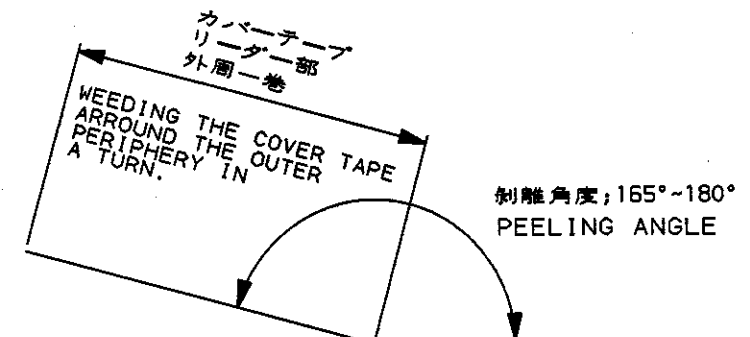
MATERIAL	NAME	ITEM
STAINLESS STEEL	- CONTACT	③
STAINLESS STEEL	+ CONTACT	②
THERMOPLASTIC (HIGH TEMPERATURE NYLON)	HOUSING	①

THIS DRAWING IS A CONTROLLED DOCUMENT FOR AMP INCORPORATED. IT IS SUBJECT TO CHANGE AND THE CONTROLLING ENGINEERING ORGANIZATION SHOULD BE CONTACTED FOR THE LATEST REVISION.		DWN 13/NOV/1998 T. KIMURA		 日本アンプ株式会社 Kawasaki, Japan
DIMENSIONS 単位: 概 mm		CHK 16/NOV/1998 K. KODAIRA		
TOLERANCES UNLESS OTHERWISE SPECIFIED		APVD 16/NOV/1998 K. KODAIRA		NAME 名称
一般公差 10mm : ±0.15 30mm : ±0.25 100mm : ±0.3 ANGLE : ±3°		PRODUCT SPEC 製品規格 108-5631		BATTERY HOLDER FOR ML614
MATERIAL 材料 SEE TABLE		FINISH 仕上		SIZE CAGE CODE DRAWING NO 番号 A3 00779 C= 1318164
		WEIGHT 重量 △		RESTRICTED TO
		CUSTOMER DRAWING		SCALE 10/1 SHEET 1 OF 2 REV A

LOC		DIST		REVISIONS					
				変更	DESCRIPTION	ECN	DATE	DWN	APVD
J					SEE 1 OF 2				



エンボステープ包装図
ENBOSS TAPING (SCALE, 1-1)



推奨基板パターン形状
RECOMMENDED PATTERN DIMENSION
(scale, 5-1)

THIS DRAWING IS A CONTROLLED DOCUMENT FOR AMP INCORPORATED. IT IS SUBJECT TO CHANGE AND THE CONTROLLING ENGINEERING ORGANIZATION SHOULD BE CONTACTED FOR THE LATEST REVISION.		OWN	AMP 日本エー・エム・ピー株式会社 Kawasaki, Japan
DIMENSIONS: 単位: 純 mm	TOLERANCES UNLESS OTHERWISE SPECIFIED	CHK	
MATERIAL 材料	FINISH 仕上	APVD	NAME 名称
		PRODUCT SPEC 製品規格	BATTERY HOLDER FOR ML614
		APPLICATION SPEC 取付通用規格	SIZE CAGE CODE DRAWING NO 番号
		WEIGHT	A3 00779 C-1318164
CUSTOMER DRAWING			RESTRICTED TO
		SCALE 尺度	SHEET #
			2 OF 2
			REV A

Mouser Electronics

Authorized Distributor

Click to View Pricing, Inventory, Delivery & Lifecycle Information:

[TE Connectivity:](#)

[1318164-1](#)