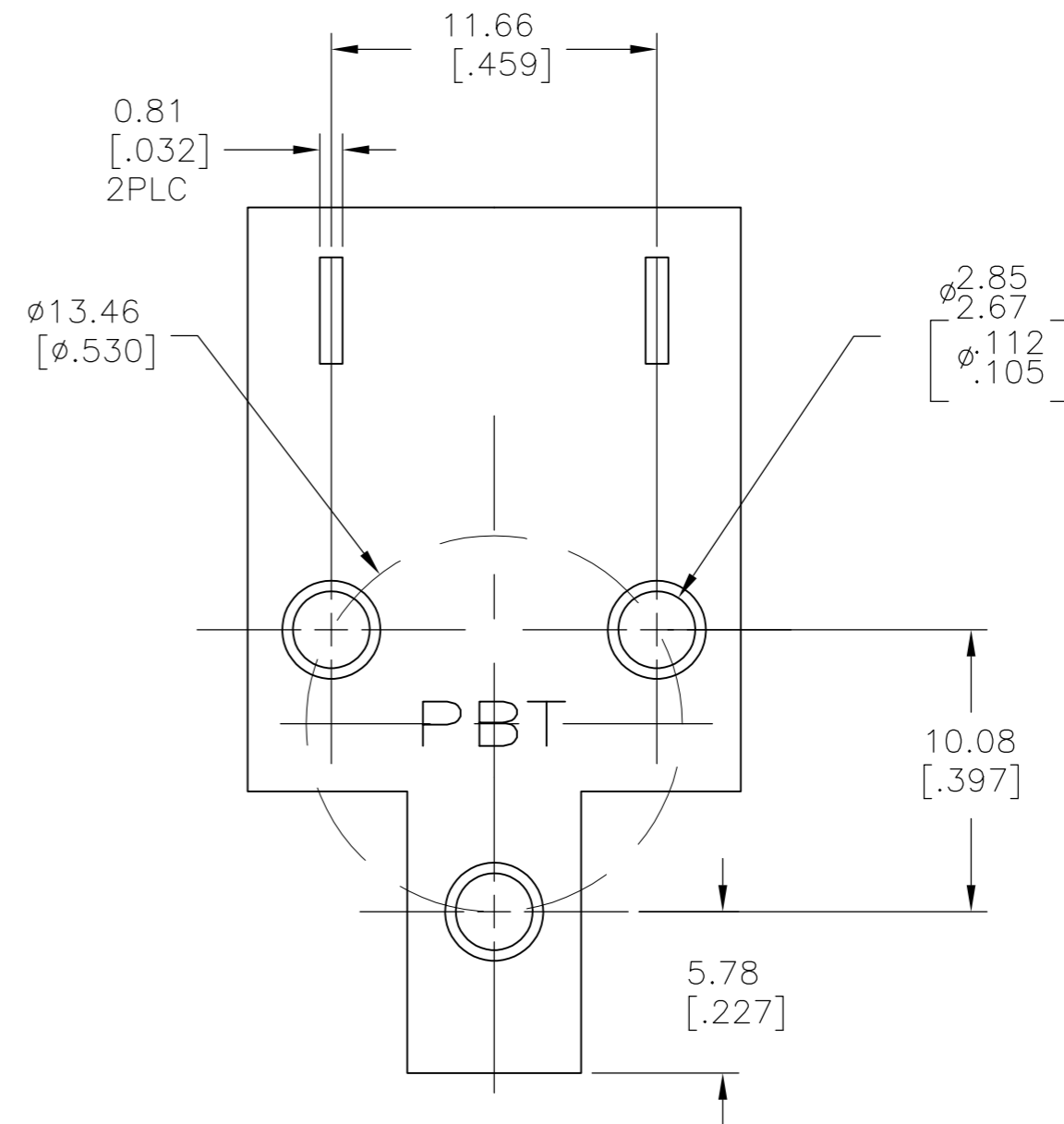
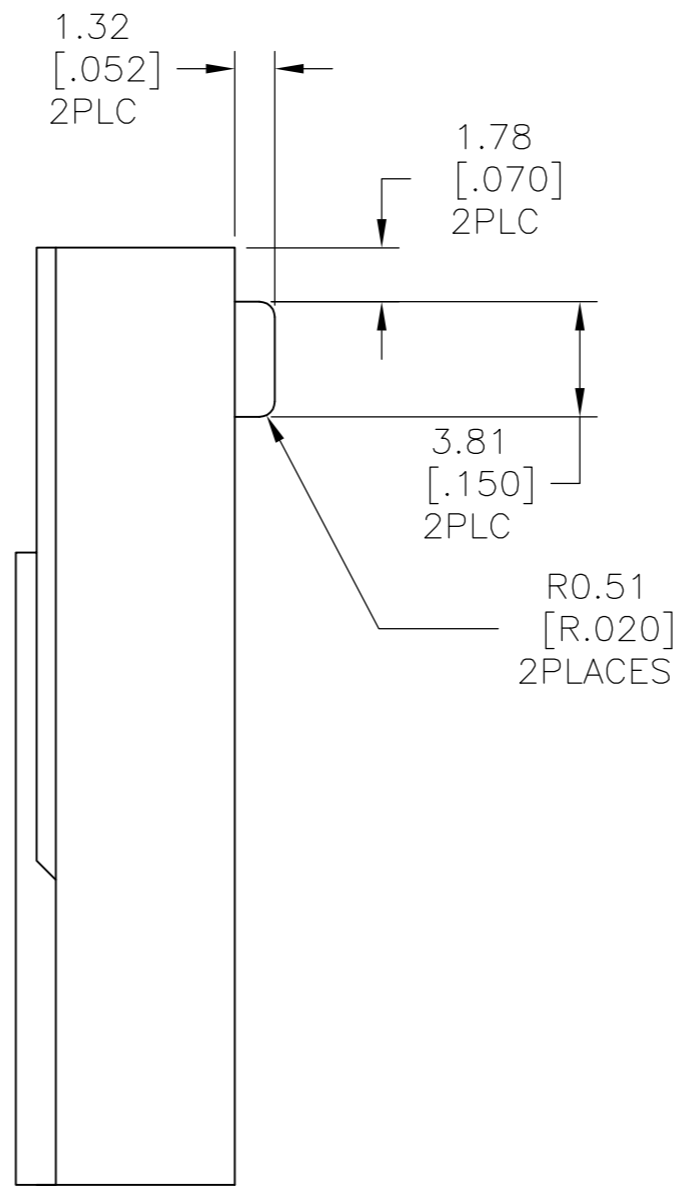
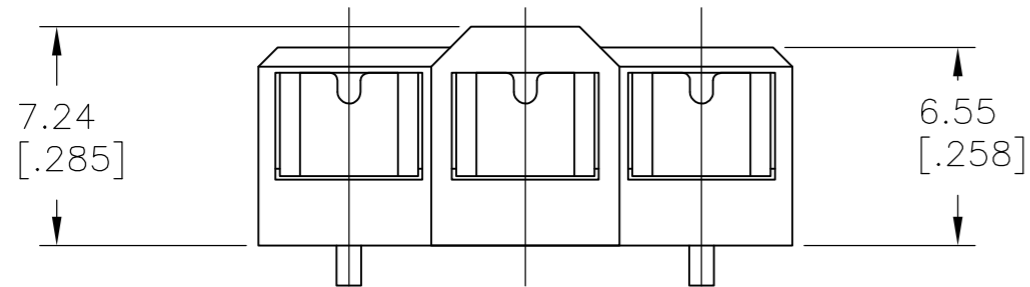
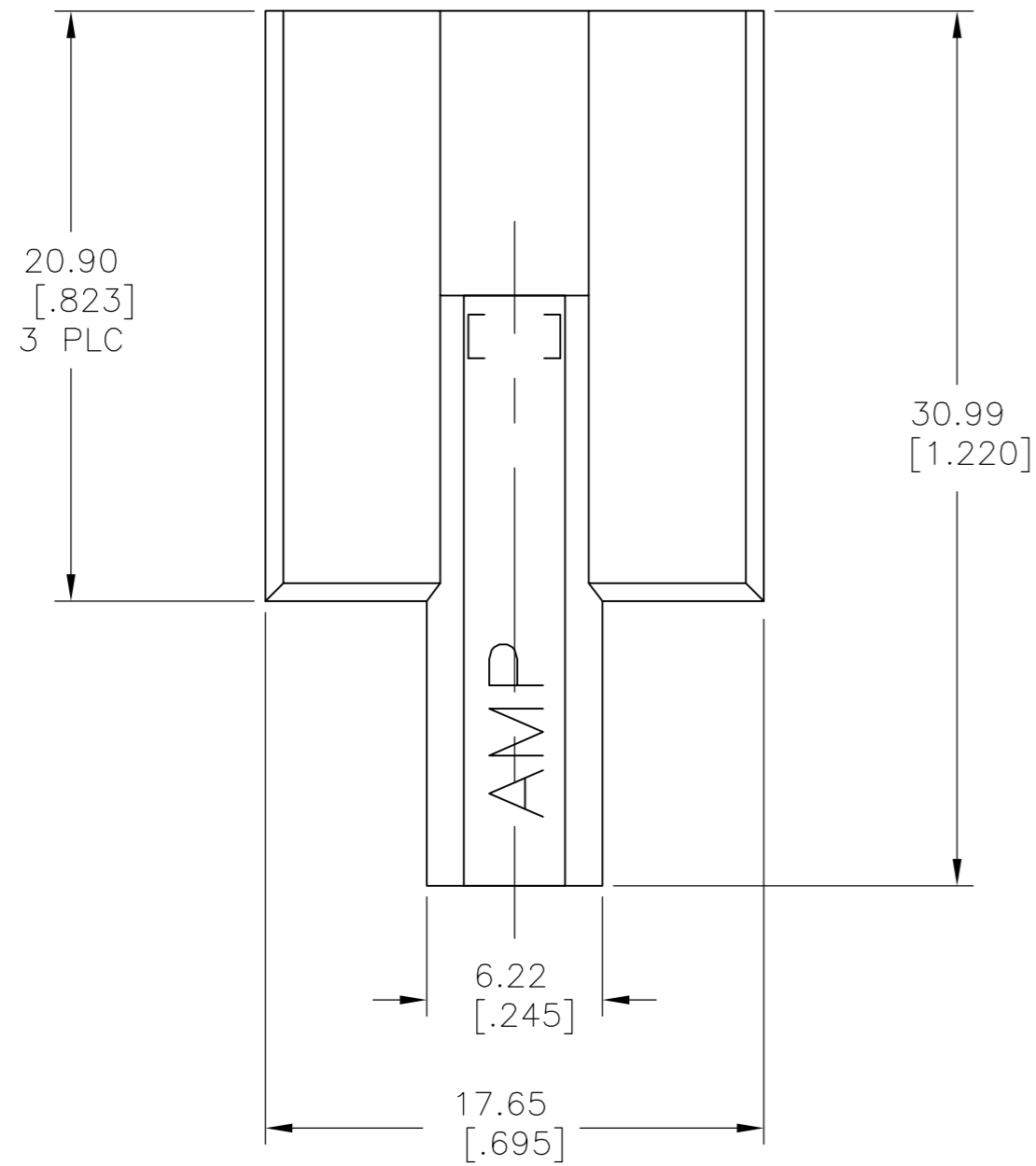
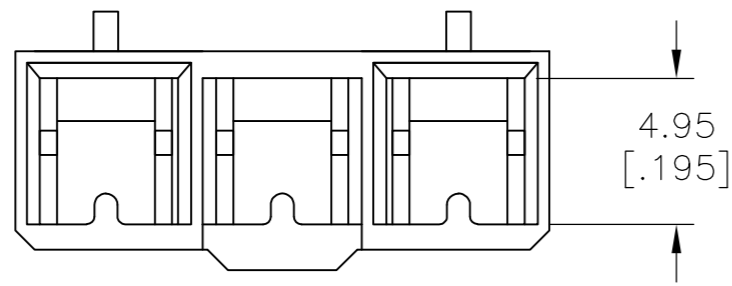


THIS DRAWING IS UNPUBLISHED. RELEASED FOR PUBLICATION
 © COPYRIGHT BY TYCO ELECTRONICS CORPORATION. ALL INTERNATIONAL RIGHTS RESERVED.

LOC		DIST		REVISIONS			
P	LTR	DESCRIPTION		DATE	DWN	APVD	
AF	50	E		REVISED PER ECR-09-006859	11AUG09	HMR	CJ



521078-1
PART NO

THIS DRAWING IS A CONTROLLED DOCUMENT.		DWN PHIL FORTNEY 6/2/93	Tyco Electronics Corporation	
DIMENSIONS: mm [INCHES]		CHK JR RUTH 6/2/93	Harrisburg, PA 17105-3608	
TOLERANCES UNLESS OTHERWISE SPECIFIED:		APVD R WEAVILL 6/2/93	NAME	
0 PLC ± -		PRODUCT SPEC	CLUSTER BLOCK, 2.29 [.090] DIA	
1 PLC ± -		APPLICATION SPEC	SIZE A2	CAGE CODE 00779
2 PLC ± 0.25 [.010]		108-2008	DRAWING NO C=521078	RESTRICTED TO -
3 PLC ± -		114-2019	SCALE 4:1	SHEET 1 OF 1
4 PLC ± -		WEIGHT -	REV E	
ANGLES ± -		CUSTOMER DRAWING		
FINISH NATURAL				