



SERIES 400B SWITCHES

ROCKER SWITCHES - SMT SUBMINIATURE

TACT SWITCHES

NAVIGATION SWITCHES

PUSHBUTTON SWITCHES

TOGGLE SWITCHES

ROCKER SWITCHES

SLIDE SWITCHES

SNAP-ACTION SWITCHES

DIP SWITCHES

KEYLOCK SWITCHES

ROTARY SWITCHES

DETECTOR SWITCHES

CAP OPTIONS



FEATURES & BENEFITS

- ▶ Variety of switching functions
- ▶ Sub-miniature
- ▶ Surface mount
- ▶ Sealed to IP67

APPLICATIONS/MARKETS

- ▶ Telecommunications
- ▶ Instrumentation
- ▶ Test equipment
- ▶ Networking
- ▶ Computer peripherals

SPECIFICATIONS

Contact Rating:	3A @ 120VAC; 1A @ 250VAC
Life Expectancy:	50,000 make-and-break cycles at full load
Contact Resistance:	20 mΩ max. initial @ 2-4 VDC 100 mA
Insulation Resistance:	1000M Ω min.
Dielectric Strength:	1,000 V RMS @ sea level
Operating Temperature:	-30° C to 85° C
Packaging:	Tape & Reel

MATERIALS

Case & Bushing:	High temp material, glass filled 4/6 Nylon, flame retardant, heat stabilized (UL94-V0)
Actuator:	Brass, chrome plated with internal O-ring seal standard
Switch Support:	Brass/Steel, tin or tin-lead plated
Contacts / Terminals:	Silver or gold plate over nickel plated copper alloy
Terminal Seal:	Epoxy

HOW TO ORDER

SERIES	MODEL NO.	ACTUATOR	ACTUATOR COLOR	TERMINATION	CONTACT MATERIAL	SEAL
400B	□ □ □ □ □	□ □	□ □ □	□ □ □	□	□
	WMSP1 WMSP2 WMSP3 WMSP4 WMSP5	R2 = Std.	BLK = Black	SM6	Q = Silver R = Gold	E = Epoxy Sealed at Base of Terminal

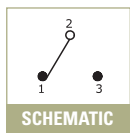
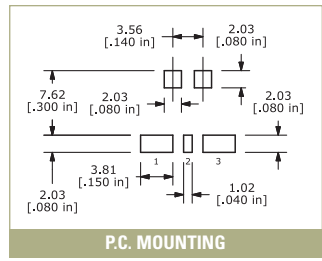
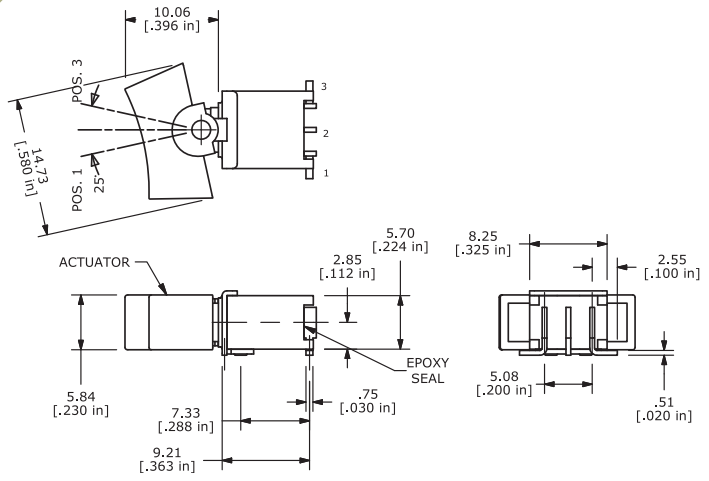
Model No.	POS 1	POS 2	POS 3
WMSP-1	ON	NONE	ON
WMSP-2	ON	NONE	(ON)
WMSP-3	ON	OFF	ON
WMSP-4	(ON)	OFF	(ON)
WMSP-5	ON	OFF	(ON)
Term. Comm.	2-3	OPEN	2-1

▶ ▶ ▶ Example Ordering Number
400B-WMSP1-R2-BLK-SM6-Q-E

() = Momentary

Specifications subject to change without notice.

400B



Mouser Electronics

Authorized Distributor

Click to View Pricing, Inventory, Delivery & Lifecycle Information:

E-Switch:

[400BWMSP1R2BLKSM6QE](#) [400BWMSP2R2BLKSM6QE](#) [400BWMSP3R2BLKSM6QE](#) [400BWMSP4R2BLKSM6QE](#)
[400BWMSP5R2BLKSM6QE](#)