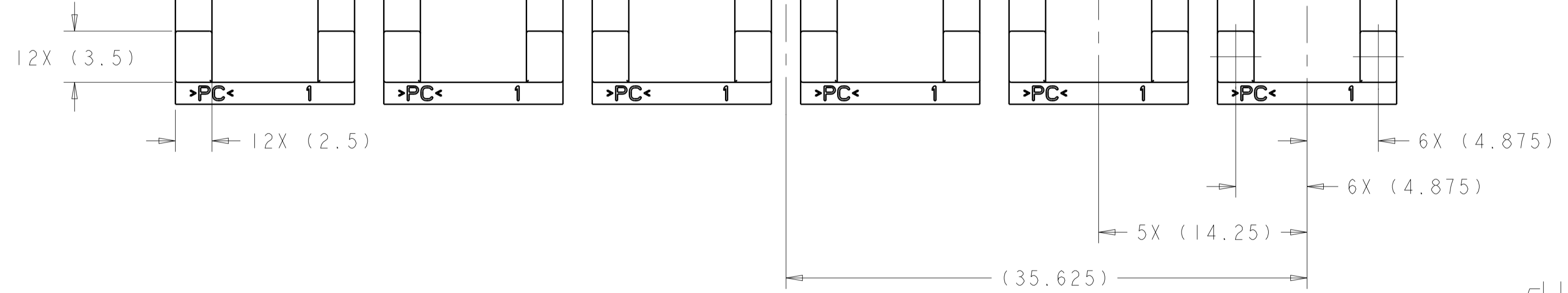
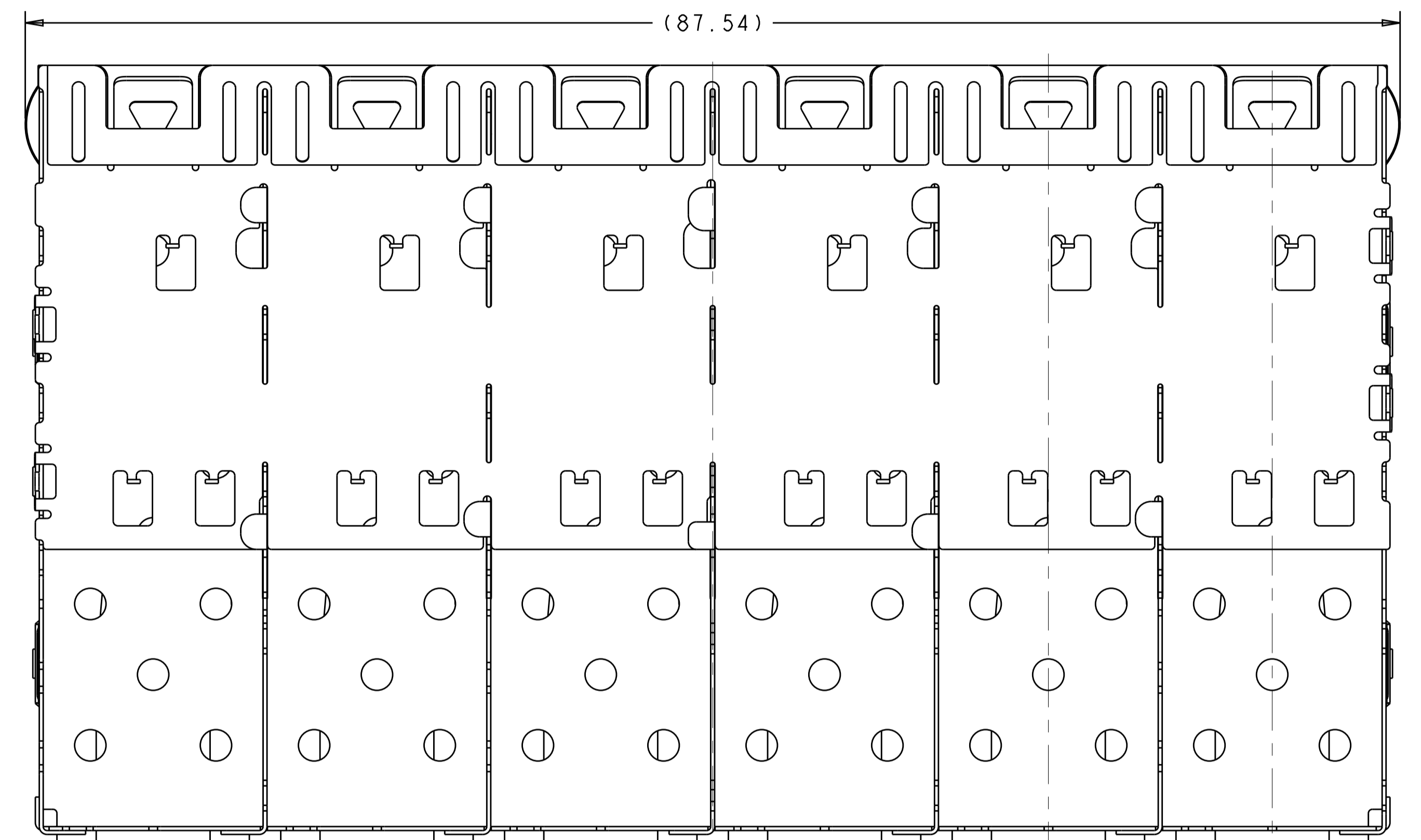
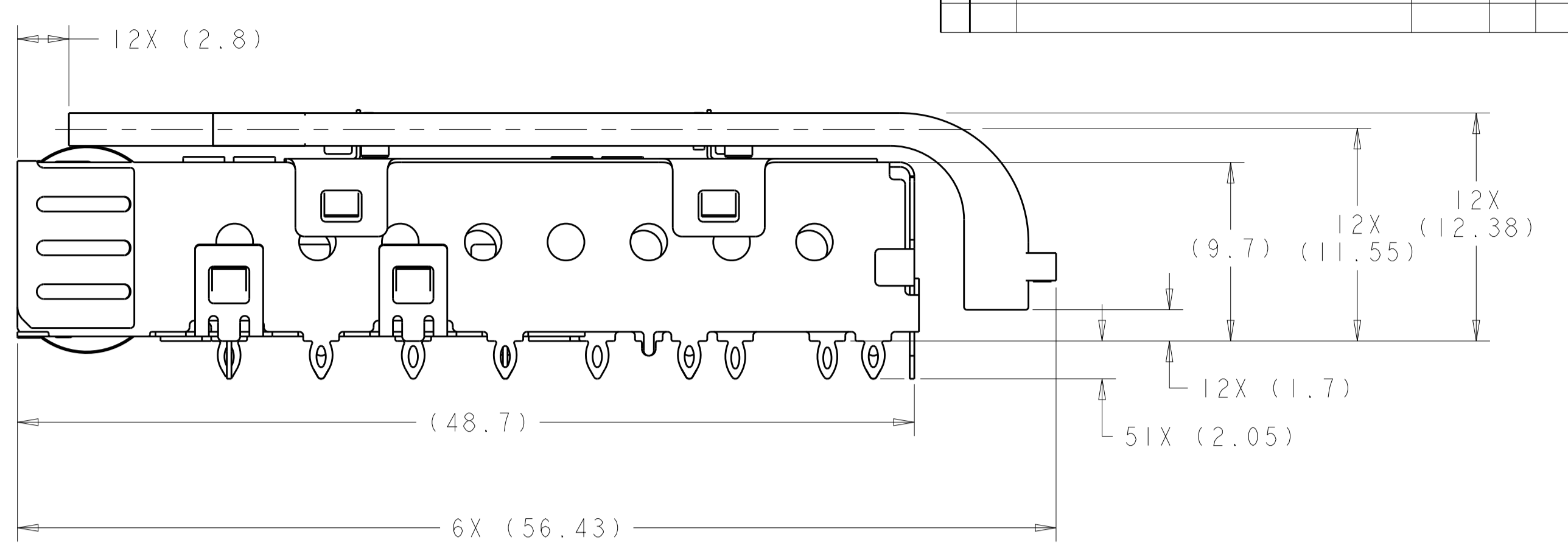
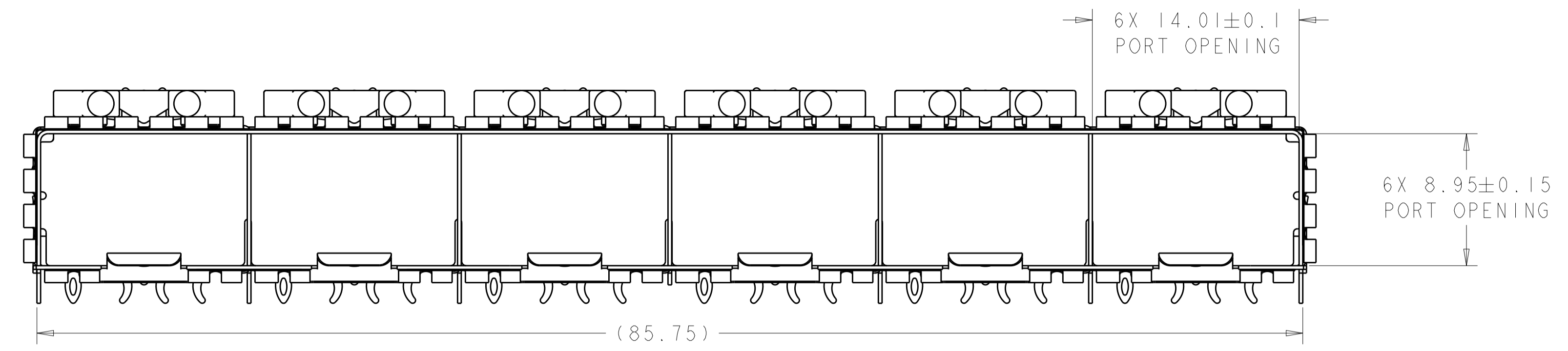
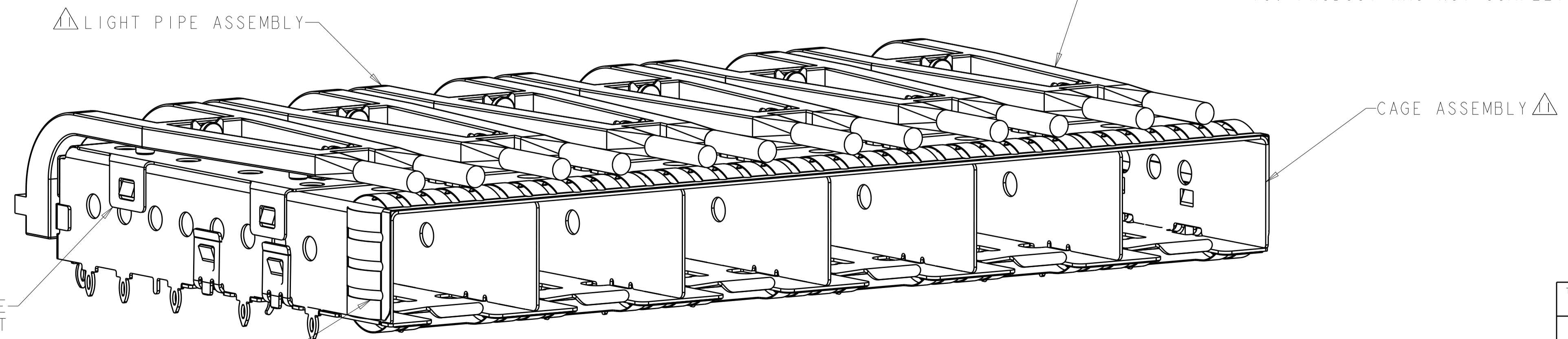


GP 00

REVISIONS				
REV	DATE	DESCRIPTION	BY	CHK
A	26FEB2016	RELEASED	JW	SH



- 1. MATERIAL:
CAGE ASSEMBLY: 0.25mm THICK NICKEL SILVER ALLOY.
LIGHT PIPE CLIP: STAINLESS STEEL
LIGHT PIPE: POLYCARBONATE, CLEAR
- 2. FINISH:
SPRINGS: MINIMUM OF 0.8um TIN PLATE OVER A MINIMUM OF 0.8um NICKEL UNDERPLATE.
NON-PLATED EDGES PERMISSIBLE.
- 3. MATES WITH SFP MSA COMPLIANT TRANSCEIVERS.
- 4. PADS AND VIAS CHASSIS GROUND.
- 5. INTERPRETATION OF DATUM REFERENCE FRAME IN ACCORDANCE WITH SECT 4.4.1.1 OF ASME Y14.5M-1994.
- 6. MINIMUM PC BOARD THICKNESS:
SINGLE SIDED = 1.50
DOUBLE SIDED = 2.25
- 7. HOLE PATTERN REPEATS FOR EACH PORT. SPACING BETWEEN PORTS IS 14.25mm.
- 8. DATUM AND BASIC DIMENSION ESTABLISHED BY CUSTOMER.
- 9. REFERENCE APPLICATION SPEC. 114-13120, HOLE A, FOR RECOMMENDED DRILL HOLE DIAMETER AND PLATING THICKNESS.
- 10. REFERENCE APPLICATION SPEC. 114-13120, HOLE B, FOR RECOMMENDED DRILL HOLE DIAMETER AND PLATING THICKNESS.
- 11. LIGHT PIPE ASSEMBLY SHIPPED UNASSEMBLED TO CAGE ASSEMBLY. CAGE ASSEMBLY TO BE PRESSED INTO THE PCB PRIOR TO ATTACHING THE LIGHT PIPE ASSEMBLY TO THE CAGE.
- 12. CERTAIN MATING TRANSCEIVERS MAY REQUIRE ADDITIONAL PCB THICKNESS THAT WOULD NEED TO BE DETERMINED BY THE CUSTOMER.
- 13. PRODUCT HAS NOT COMPLETED VALIDATION/QUALIFICATION TESTING.



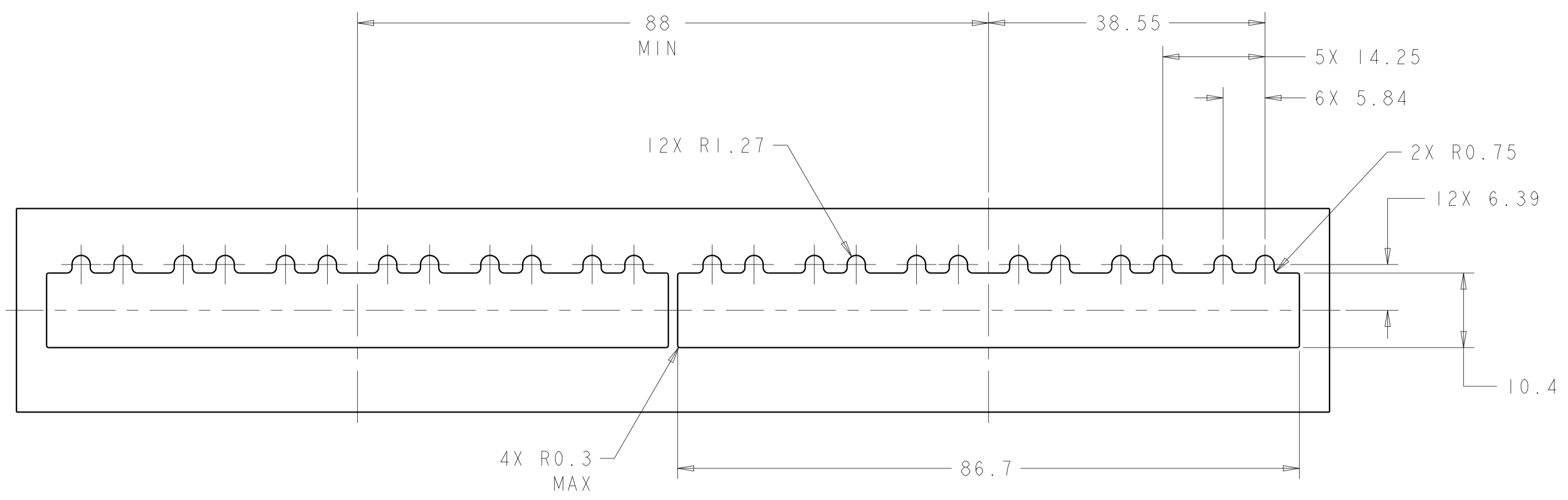
2110742-1
FINISHED ASSEMBLY
SCALE 4:1

2110742-1
PART NUMBER

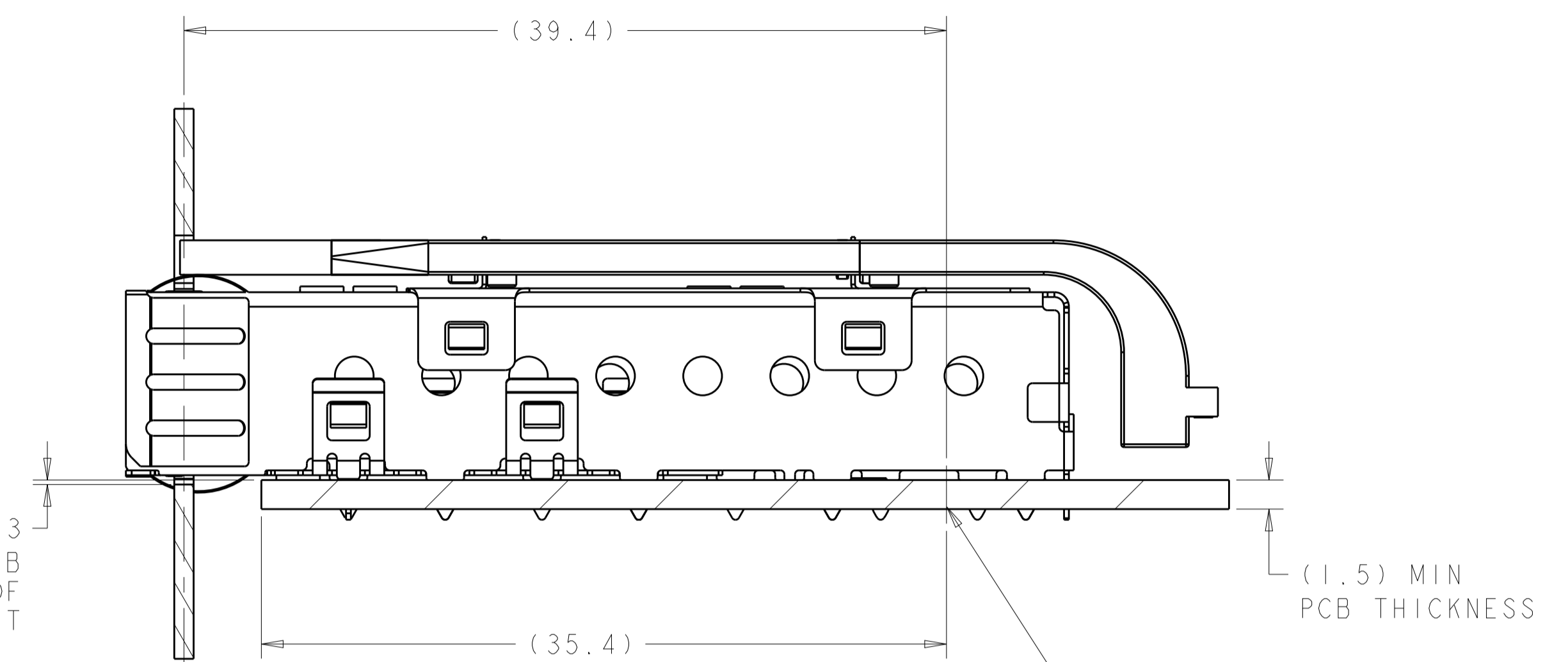
THIS DRAWING IS A CONTROLLED DOCUMENT.		DWN: C. ROHLER 03JUN2009	TE Connectivity	
DIMENSIONS: mm		CHK: M. SCHMITT 03JUN2009	NAME: SFP+ 1X6 CAGE ASSEMBLY PRESS FIT, EXTERNAL EMI SPRINGS WITH LOW PROFILE LIGHT PIPES	
TOLERANCES UNLESS OTHERWISE SPECIFIED:		APVD: B. WERTZ 03JUN2009	PRODUCT SPEC: 108-2364	
0 PLC ±0.1		APPLICATION SPEC: 114-13120		
1 PLC ±0.1		SIZE: A1		
2 PLC ±0.1		CAGE CODE: C=2110742		
3 PLC ±0.1		DRAWING NO: 2110742		
4 PLC ±0.1		RESTRICTED TO: Customer Drawing		
ANGLES ±0.1		SCALE: 2:1		
FINISH: ±1°		SHEET: 1 of 4		
MATERIAL: [Symbol]		REV: A		

GP 00

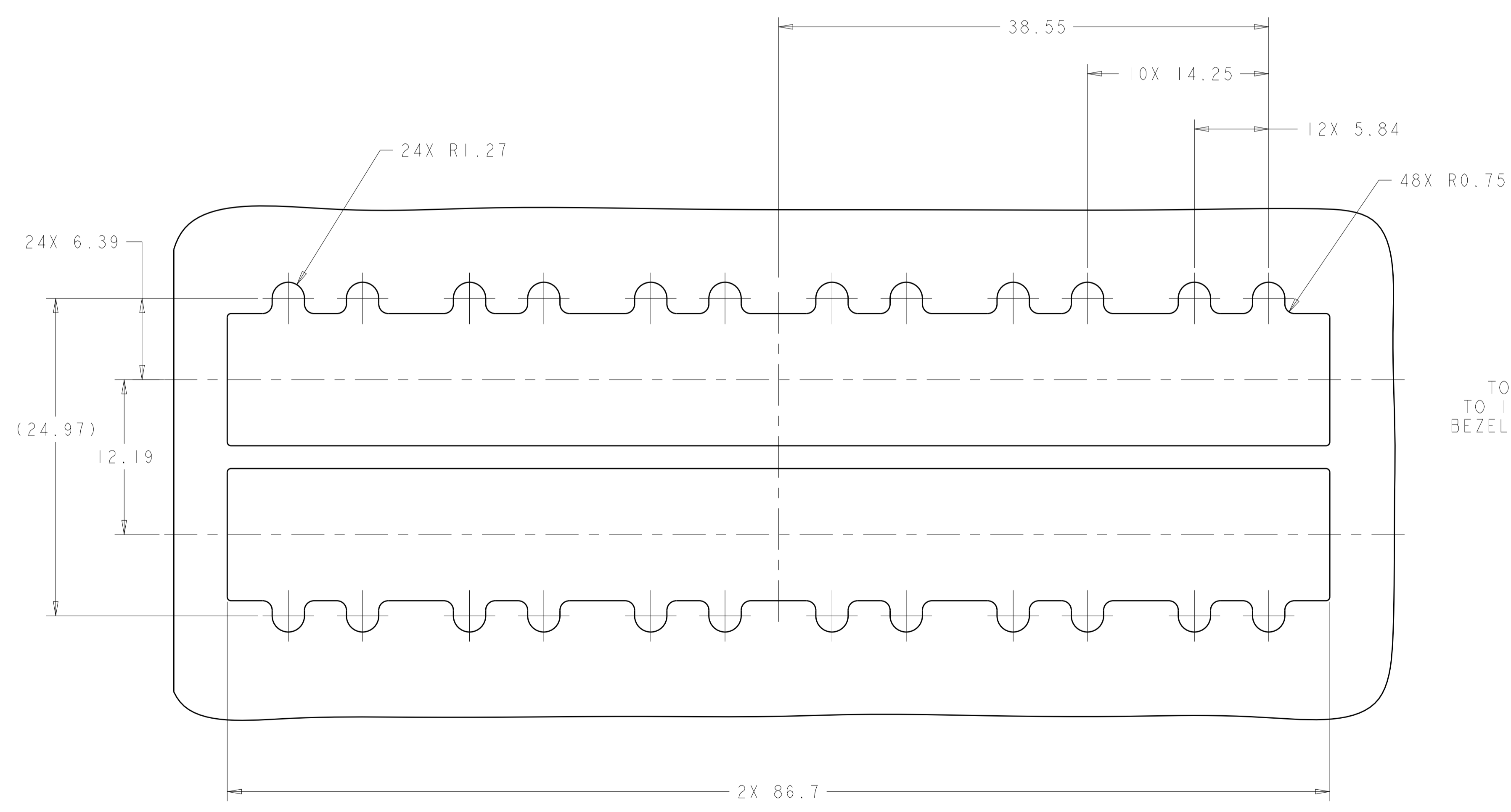
REVISIONS				
REV	DATE	DESCRIPTION	BY	APPV
-	-	SEE SHEET 1	-	-



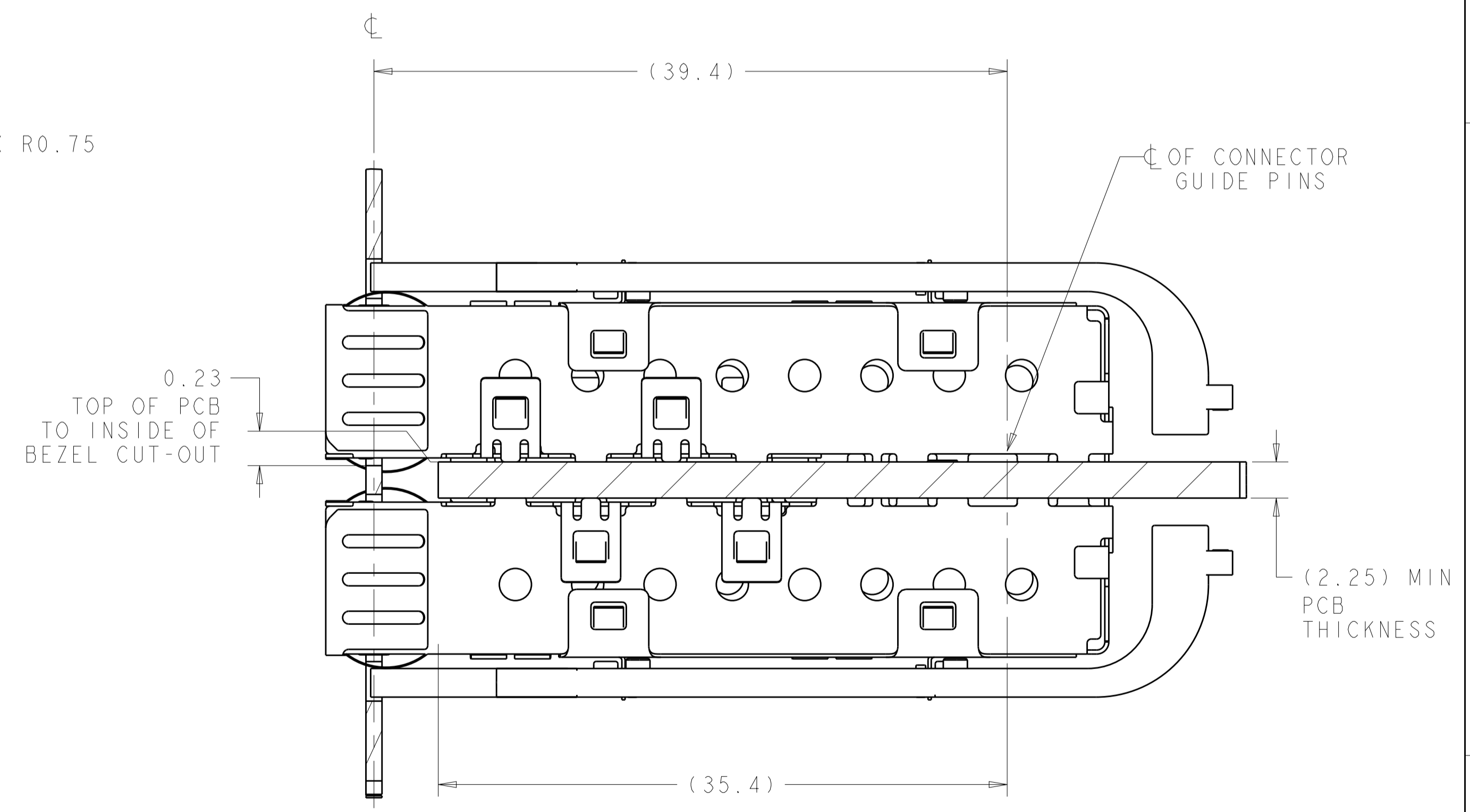
RECOMMENDED BEZEL CUT-OUT
SINGLE SIDED APPLICATIONS
SCALE 2:1



2110742-1
MOUNTED ON PC BOARD
SHOWN THRU RECOMMENDED BEZEL



RECOMMENDED BEZEL CUT-OUT
BELLY TO BELLY APPLICATIONS

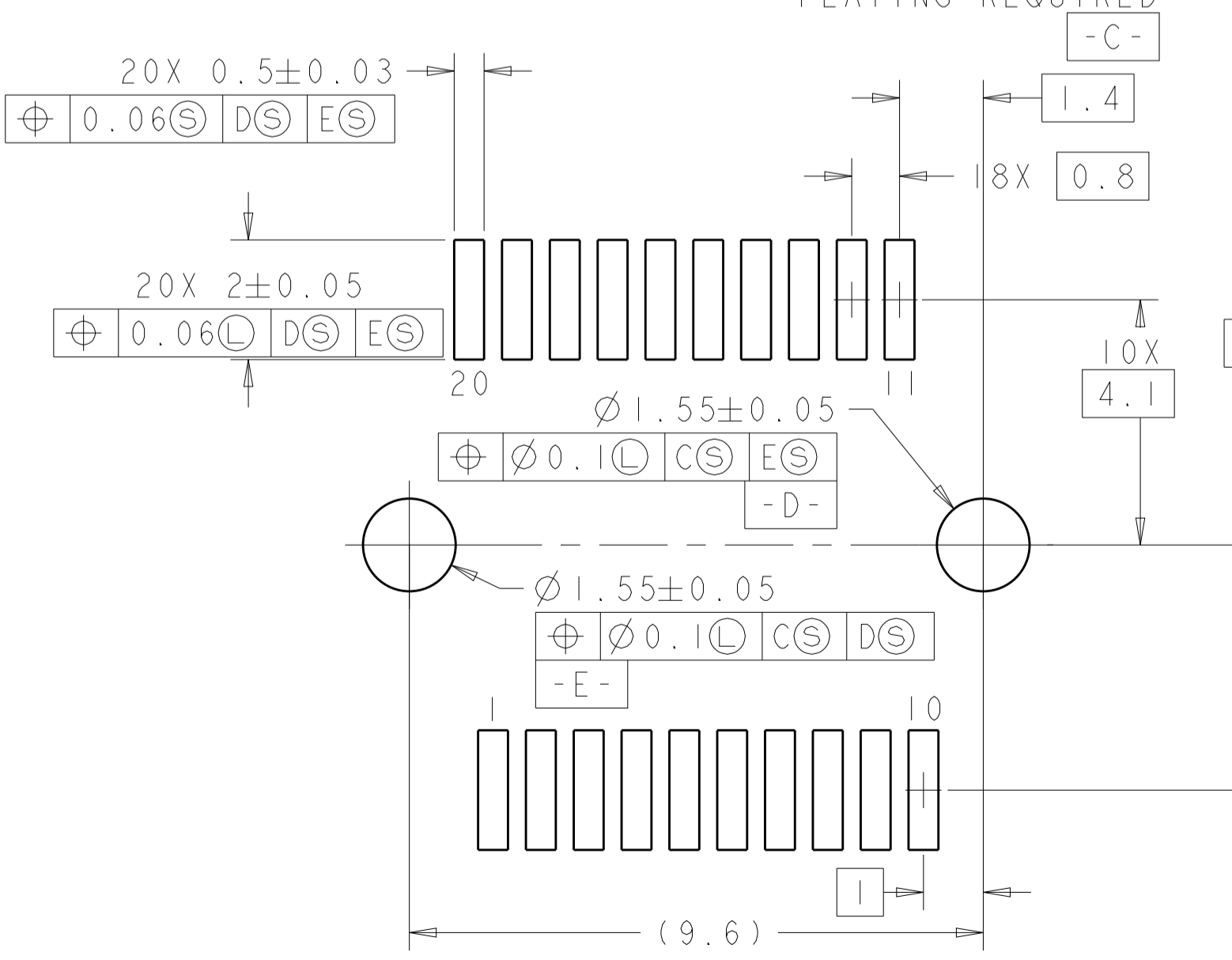
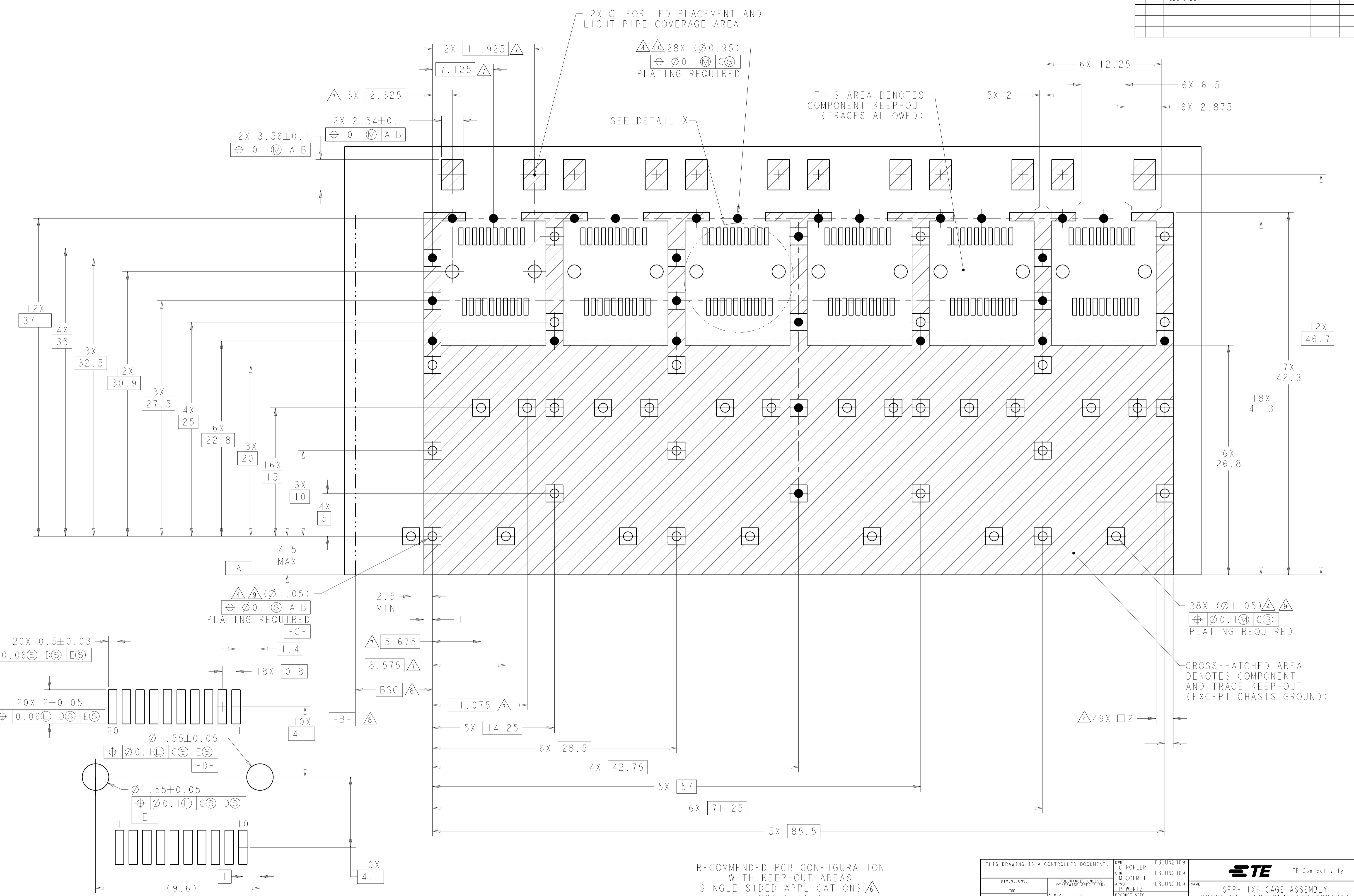


2110742-1
MOUNTED BELLY TO BELLY ON PC BOARD
SHOWN THRU RECOMMENDED BEZEL

THIS DRAWING IS A CONTROLLED DOCUMENT.		DWN C. ROHLER 03JUN2009 CHK M. SCHMITT 03JUN2009 APVD B. WERTZ 03JUN2009	TE Connectivity
DIMENSIONS: mm	TOLERANCES UNLESS OTHERWISE SPECIFIED: 0 PLC ±0.1 1 PLC ±0.1 2 PLC ±0.1 3 PLC ±0.1 4 PLC ±0.1 ANGLES ±1°	NAME SFP+ 1X6 CAGE ASSEMBLY PRODUCT SPEC 108-2364 APPLICATION SPEC SIZE CAGE CODE DRAWING NO. 114-13120 WEIGHT Customer Drawing	

GP 00

REVISIONS				
NO.	DATE	BY	CHKD.	APPROV.
-	-	-	-	-
-	-	-	-	-



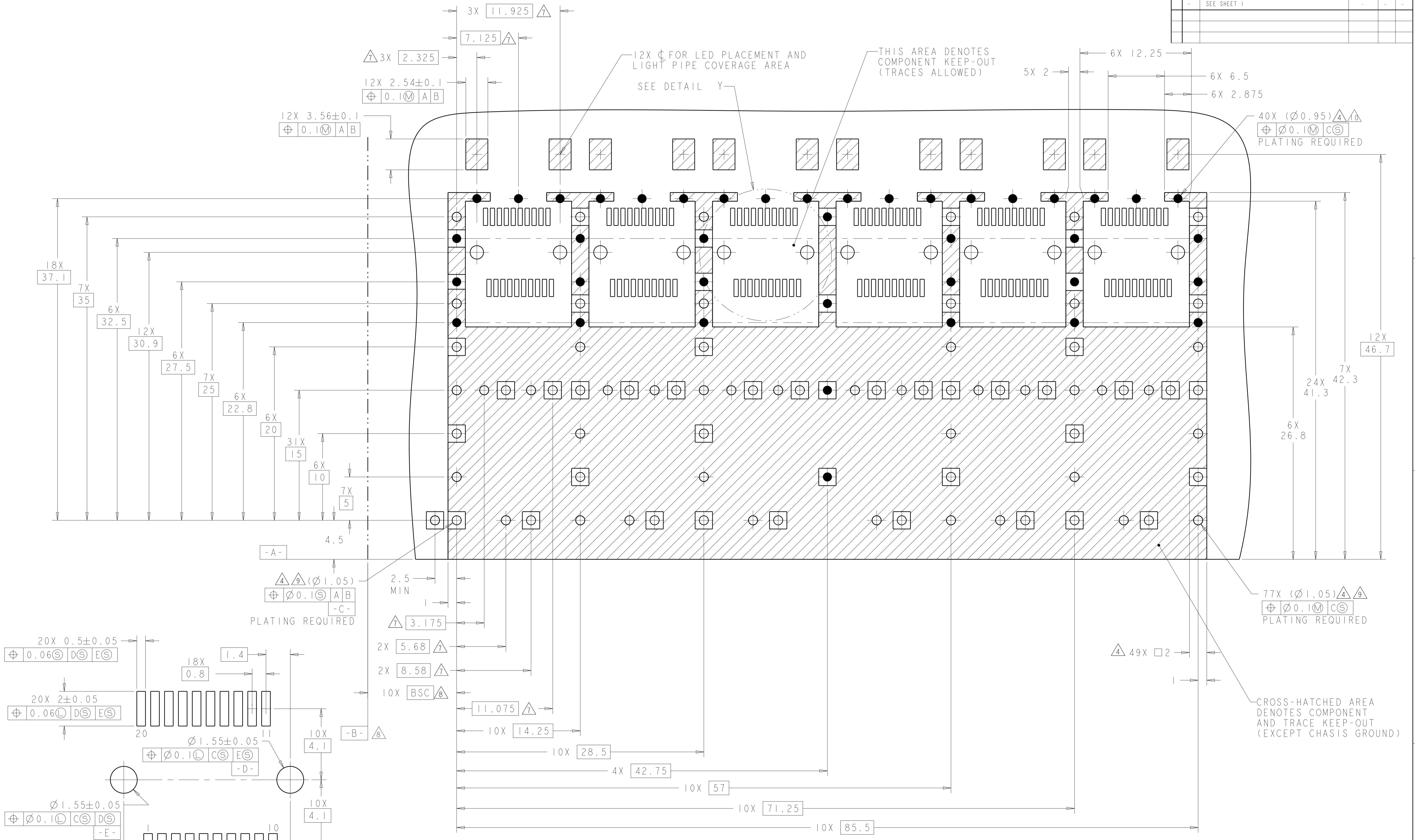
RECOMMENDED PCB CONFIGURATION
 WITH KEEP-OUT AREAS
 SINGLE SIDED APPLICATIONS
 SCALE 5:1

DIMENSIONS:		TOLERANCES UNLESS OTHERWISE SPECIFIED:		MATERIAL:		FINISH:	
mm	0 PLC	±0.1					
	1 PLC	±0.1					
	2 PLC	±0.1					
	3 PLC	±0.1					
	4 PLC	±0.1					
	ANGLES	±1°					

THIS DRAWING IS A CONTROLLED DOCUMENT.		DWN C. ROHLER 03JUN2009		CHK M. SCHMITZ 03JUN2009		APVD B. WERTZ 03JUN2009	
PRODUCT SPEC		108-2364		APPLICATION SPEC		114-13120	
WEIGHT		-		SCALE		4:1	
Customer Drawing		SHEET 3		OF 4		REV A	

STE TE Connectivity	
NAME SFP+ 1X6 CAGE ASSEMBLY	
PRESS FIT, EXTERNAL EMI SPRINGS	
WITH LOW PROFILE LIGHT PIPES	
SIZE A1	DRAWING NO. C=2110742

REVISIONS				
P.	LTN.	DESCRIPTION	DATE	APP'D.
-	-	SEE SHEET 1	-	-



CROSS-HATCHED AREA DENOTES COMPONENT AND TRACE KEEP-OUT (EXCEPT CHASSIS GROUND)

RECOMMENDED PC BOARD CONFIGURATION WITH KEEP-OUT AREAS BELLY TO BELLY APPLICATIONS
SCALE 5:1

DETAIL Y
RECOMMENDED PT CONNECTOR LAYOUT
12X INDIVIDUALLY
SCALE 10:1

THIS DRAWING IS A CONTROLLED DOCUMENT.		DWN: C. ROHLER 03JUN2009	TE Connectivity
DIMENSIONS: mm		CHK: M. SCHMITT 03JUN2009	
TOLERANCES UNLESS OTHERWISE SPECIFIED:		APP'D: B. WERTZ 03JUN2009	NAME: SFP+ 1X6 CAGE ASSEMBLY
0 PLC ±0.1		PRODUCT SPEC: 108-2364	PRESS FIT, EXTERNAL EMI SPRINGS
1 PLC ±0.1		APPLICATION SPEC: 114-13120	WITH LOW PROFILE LIGHT PIPES
2 PLC ±0.1		SIZE: A1	RESTRICTED TO
3 PLC ±0.1		WEIGHT: -	C=2110742
4 PLC ±0.1		Customer Drawing	SCALE: 2:1 SHEET 4 OF 4 REV A
ANGLES ±0.1			
FINISH: ±1*			

Mouser Electronics

Authorized Distributor

Click to View Pricing, Inventory, Delivery & Lifecycle Information:

[TE Connectivity:](#)

[2110742-1](#)