

6200NTD Series

Tubeaxial

Ø 172x51mm TURBOFAN



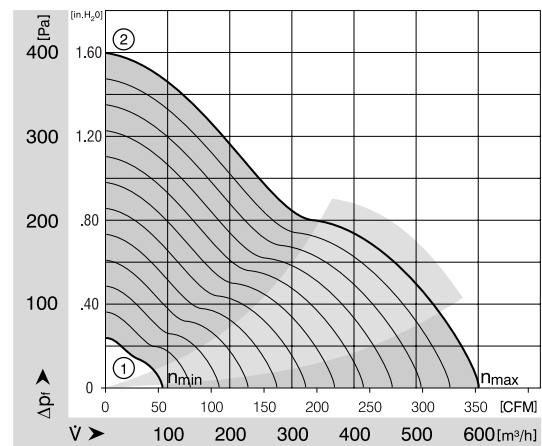
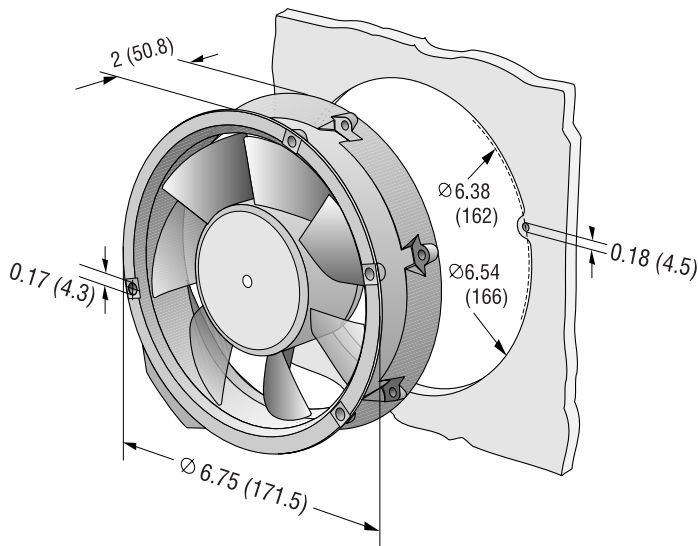
- DC electronic fan with 3 phase EC drive and fully integrated operating electronics. For load-dependent speed control with highly intelligent motor management and power and speed reserves which open up completely new areas of application.

- Mounting from either face using two 4.3 mm holes.

- Metal fan housing, impeller of fiber-glass reinforced plastic PA.
- Air exhaust over struts. Rotational direction CCW looking at rotor.
- Electrical connection via leads. Housing ground lug for screw M4 x 8 (TORX).
- UL, CSA, VDE approvals on some models, please contact application engineering.

| | Part Number | Curve | CFM @ 0 | VDC | Volt. Range | Power (W) | dBA | Max Amb. Temp C | Bearing Type | Features | Speed (RPM) | Wgt. (lbs) |
|-----|-------------|-------|---------|-----|-------------|-----------|-----|-----------------|--------------|----------|-------------|------------|
| min | 6224NTD | 1 | 53.0 | 24 | 16 to 28 | 2.0 | 18 | 60 | Ball | Leads | 800 | 1.81 |
| max | | 2 | 353.1 | | | | | | | | 5100 | |
| min | 6248NTD | 1 | 53.0 | 48 | 40 to 55 | 2.0 | 18 | 60 | Ball | Leads | 800 | 1.81 |
| max | | 2 | 353.1 | | | | | | | | 5100 | |

Temperature control available upon request.
Speed setting via control voltage or PWM signal available upon request.



Mouser Electronics

Authorized Distributor

Click to View Pricing, Inventory, Delivery & Lifecycle Information:

[ebm-papst:](#)

[6248NTD](#)