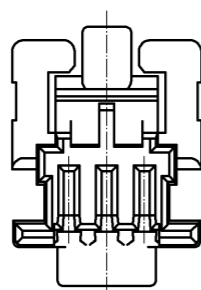
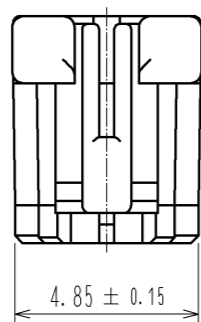
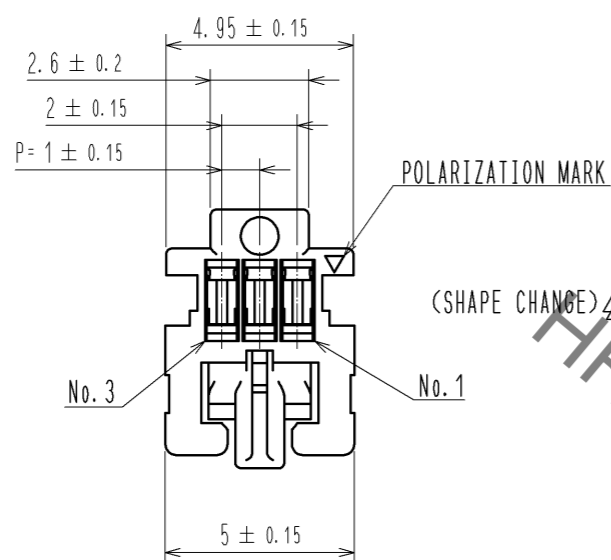
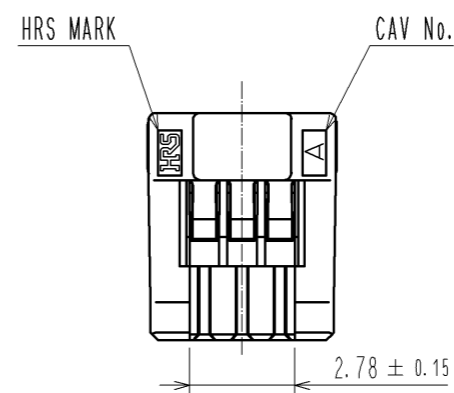
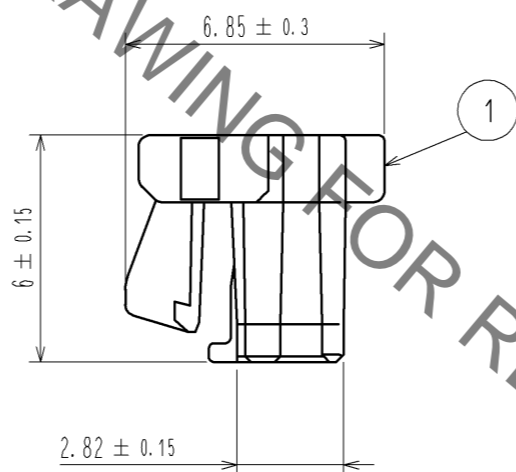


Apr.1.2020 Copyright 2020 HIROSE ELECTRIC CO., LTD. All Rights Reserved.
 In case of consideration for using Automotive equipment / device which demand high reliability, kindly contact our sales window correspondents.



(SHAPE CHANGE)



HRS DRAWING FOR REFERENCE

NOTE1. PER PACK:100 PIECES

NO.		MATERIAL		FINISH . REMARKS		1		PBT		UL94V-0. BLACK	
UNITS mm				SCALE 5 : 1		COUNT 1		DESCRIPTION OF REVISIONS DIS-H-005903		DESIGNED KT. ISHII	
										CHECKED OM. MIYAMOTO	
										DATE 11.06.16	
HRS		HIROSE ELECTRIC CO., LTD.		APPROVED : KI. AKIYAMA		10.12.14		DRAWING NO.		EDC3-329221-00	
				CHECKED : OM. MIYAMOTO		10.12.14		PART NO.		DF50A-3S-1C	
				DESIGNED : TT. OHSAKO		10.12.14		CODE NO.		CL665-1005-4-00	
				DRAWN : TT. OHSAKO		10.12.14					