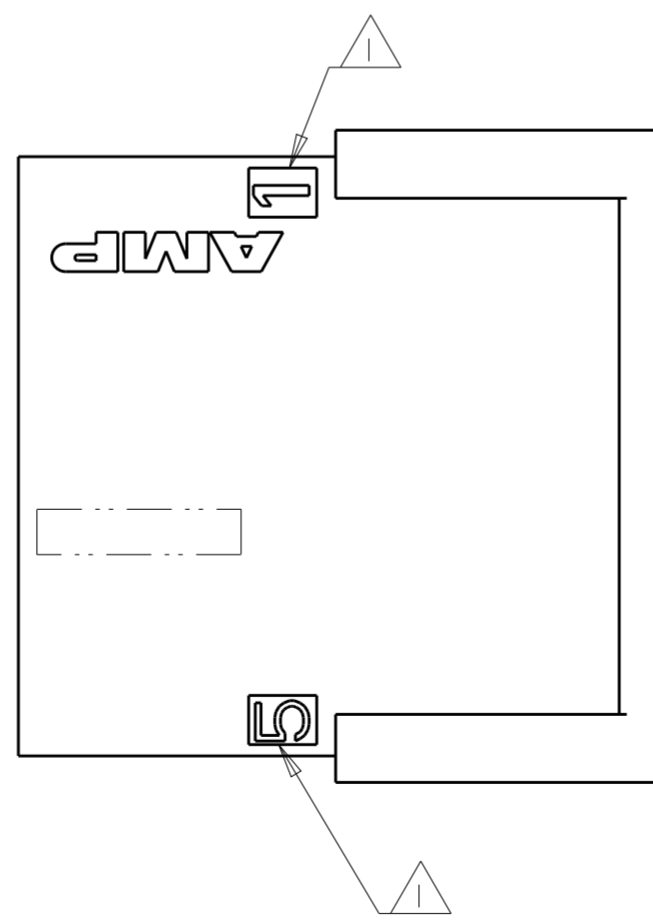
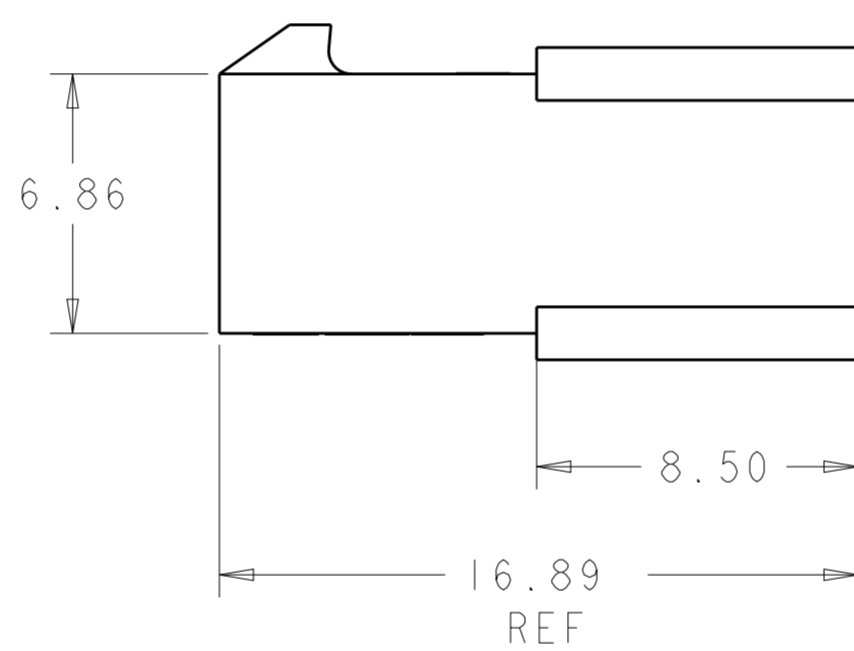
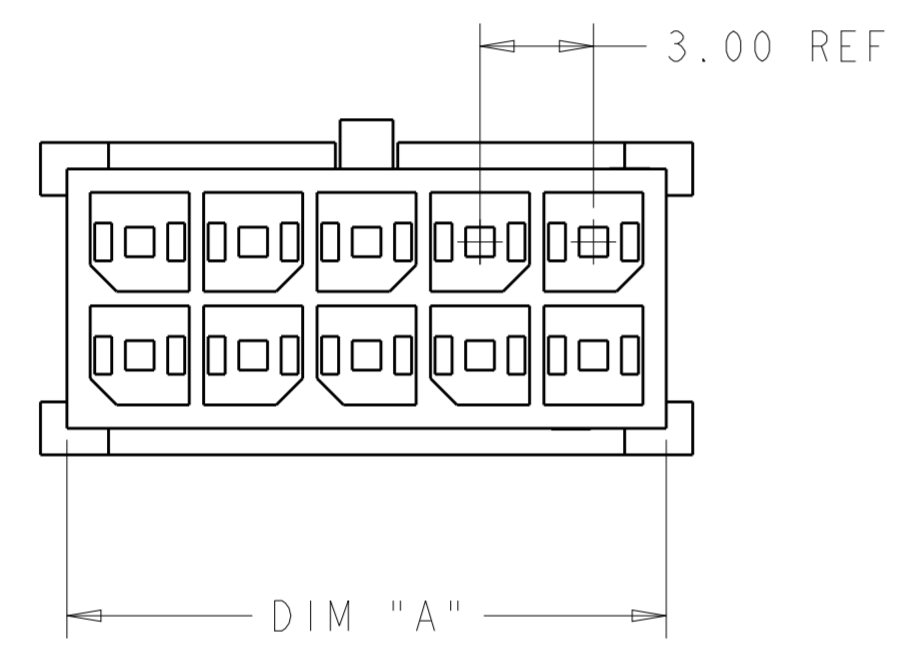
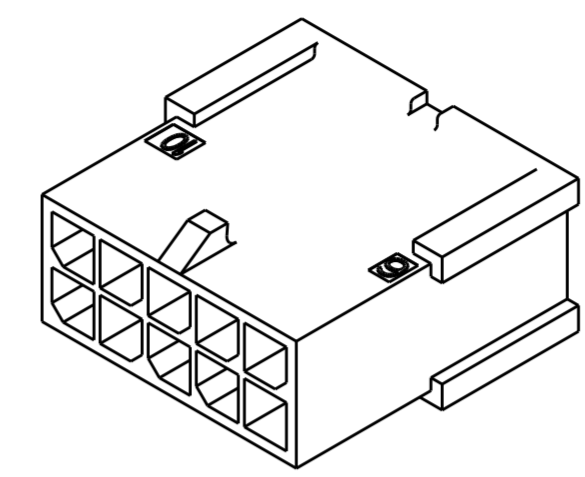
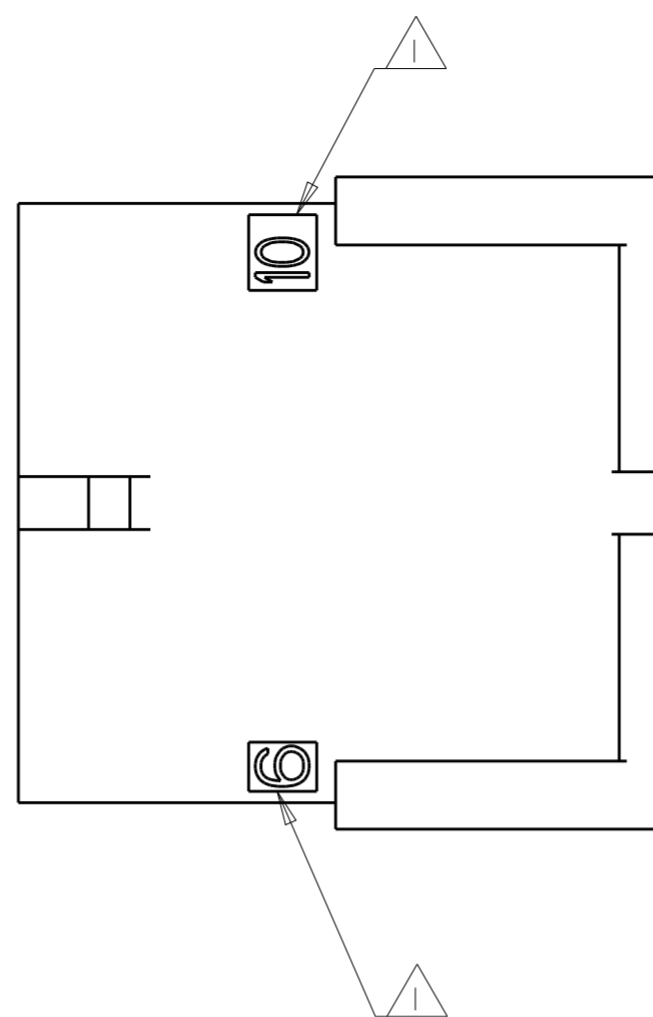


THIS DRAWING IS UNPUBLISHED. RELEASED FOR PUBLICATION 20  
 © COPYRIGHT 20 BY - ALL RIGHTS RESERVED.

REVISIONS				
P	LTR	DESCRIPTION	DATE	APVD
	P9	REVISED PER ECR-18-011787	10SEP2018	JB DZ



REMARK	DIM A	NO. OF POS.	PART NUMBER
4	36.85	24	5-794616-4
	30.85	20	5-794616-0
5	24.85	16	4-794616-6
	21.85	14	4-794616-4
4	18.85	12	4-794616-2
	15.85	10	3-794616-0
4	12.85	8	3-794616-8
	9.85	6	3-794616-6
OBSOLETE	6.85	4	3-794616-4
OBSOLETE	3.85	2	3-794616-2
3 5	12.85	8	2-794616-8
	36.85	24	2-794616-4
2	33.85	22	2-794616-2
	30.85	20	2-794616-0
	27.85	18	1-794616-8
	24.85	16	1-794616-6
	21.85	14	1-794616-4
	18.85	12	1-794616-2
	15.85	10	1-794616-0
	12.85	8	794616-8
	9.85	6	794616-6
	6.85	4	794616-4
	3.85	2	794616-2

- 1 CIRCUIT IDENTIFIERS LOCATED APPROXIMATELY AS SHOWN.
- 2 MATERIAL PA66/6 UL94-V0. COLOR-BLACK
- 3 PRELIMINARY MATERIAL PA6 UL94-V0
- 4 MATERIAL PA66 UL94-V0, GW . COLOR - NATURAL.
- 5 PRELIMINARY PART NOT RELEASED FOR PRODUCTION.

THIS DRAWING IS A CONTROLLED DOCUMENT.		DWN W J RUDY 29AUG2000	TE Connectivity
DIMENSIONS: mm		CHK W DAVIS 29AUG2000	
TOLERANCES UNLESS OTHERWISE SPECIFIED:		APVD W DAVIS 29AUG2000	
0 PLC ± 1 PLC ± 2 PLC ±0.13 3 PLC ± 4 PLC ± ANGLES ± FINISH -		PRODUCT SPEC 108-1836 APPLICATION SPEC 114-13000 WEIGHT -	
MATERIAL 2 3 4		CUSTOMER DRAWING	NAME PLUG HOUSING, 2 to 24 POSITION DUAL ROW, FREE HANGING, MICRO MATE-N-LOK(TM) SIZE A2 CAGE CODE 00779 DRAWING NO C-794616 RESTRICTED TO SCALE 5:1 SHEET 1 OF 1 REV P9