

KLKD 10x38 mm MIDGET FUSE



Product Features

- UL Listed 600 Vdc maximum
- 50,000 Adc interrupting rating
- High performance in compact 10x38 mm midget size
- Touch-safe DIN-rail mount holder available
- PCB leaded version available in select amperages (Contact factory for availability)

Description

The KLKD series is a fast acting, high interrupting capacity, current limiting type fuse. It is perfect for 600 Vdc applications such as photovoltaic systems.

Specifications

Voltage Rating:	600 Vac/dc
Interrupting Rating:	AC: 100,000 A rms symmetrical; DC: 50,000A
Dimensions:	$1\frac{3}{32}$ " x $1\frac{1}{2}$ " (10x38 mm)
Approvals:	Standard 248-14 UL Listed 3/10-30 A (File No: E10480) CSA Certified 3/10-30 A (File No: LR29862)
Environmental:	RoHS Compliant Lead (Pb) Free

AMPERE RATING			
$\frac{1}{10}$	1	5	15
$\frac{1}{8}$	1½	6	20
$\frac{3}{10}$	2	7	25
$\frac{1}{4}$	2½	8	30
$\frac{3}{10}$	3	9	
$\frac{1}{2}$	3½	10	
$\frac{3}{4}$	4	12	

Ordering Example

CATALOG NUMBER	SYSTEM NUMBER	AMPERAGE
KLKD.300	KLKD.300T	3/10
KLKD002	KLKD002.T	2
KLKD030	KLKD030.T	30
KLKD030R	KLKD030.HXR	30 (with PCB tabs)

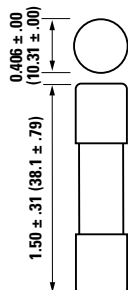
Recommended Fuseholder

LPHV

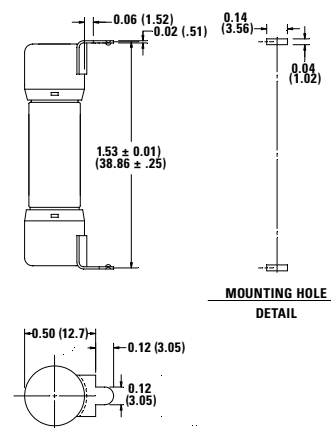
Web Resources

Downloadable CAD drawings and other technical information:
www.littelfuse.com/klkd

Dimensions in inches (mm)



Dimensions in inches - PCB Version (mm)



Mouser Electronics

Authorized Distributor

Click to View Pricing, Inventory, Delivery & Lifecycle Information:

[Littelfuse:](#)

[KLKD015](#)