



# MICRO SWITCH

FREEPORT, ILLINOIS, U.S.A.  
A DIVISION OF HONEYWELL

FED. MFG. CODE 91929

# ACTUATOR-SWITCH

CATALOG LISTING

## JE-56

# M JE-56

DRAWING NUMBER

ISSUE

8

8

8

8

8

8

8

8

8

8

8

8

8

8

8

8

8

8

8

8

8

8

8

8

8

8

8

8

8

8

REPLACES

RELEASE NO. SR 10937

CHECK

16 APR 63

16 APR 63

16 APR 63

16 APR 63

16 APR 63

16 APR 63

16 APR 63

16 APR 63

16 APR 63

16 APR 63

16 APR 63

16 APR 63

16 APR 63

16 APR 63

16 APR 63

16 APR 63

16 APR 63

16 APR 63

16 APR 63

16 APR 63

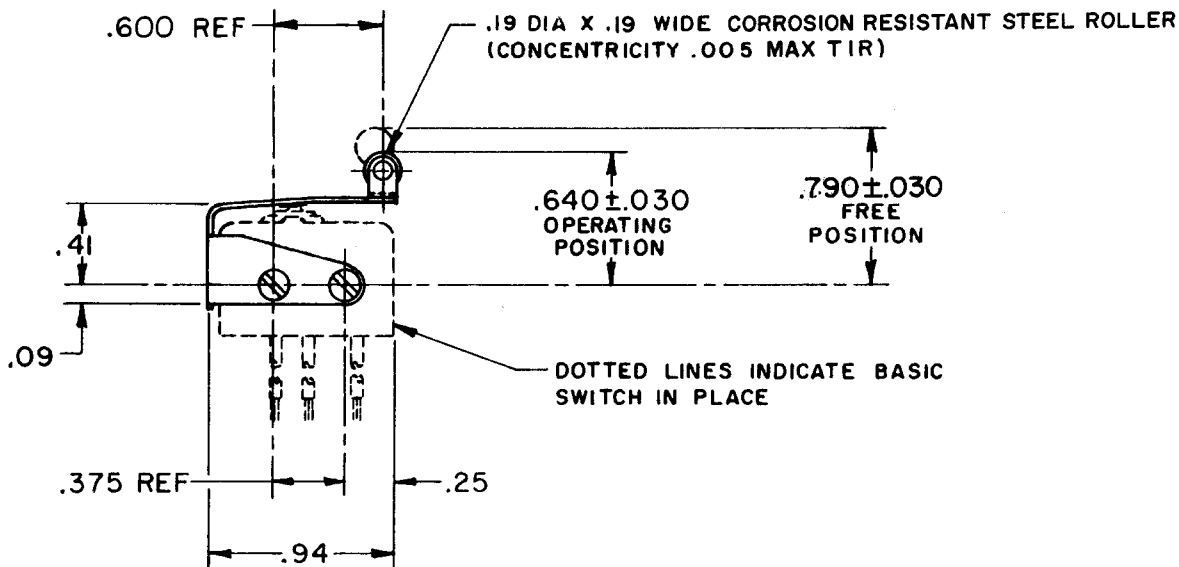
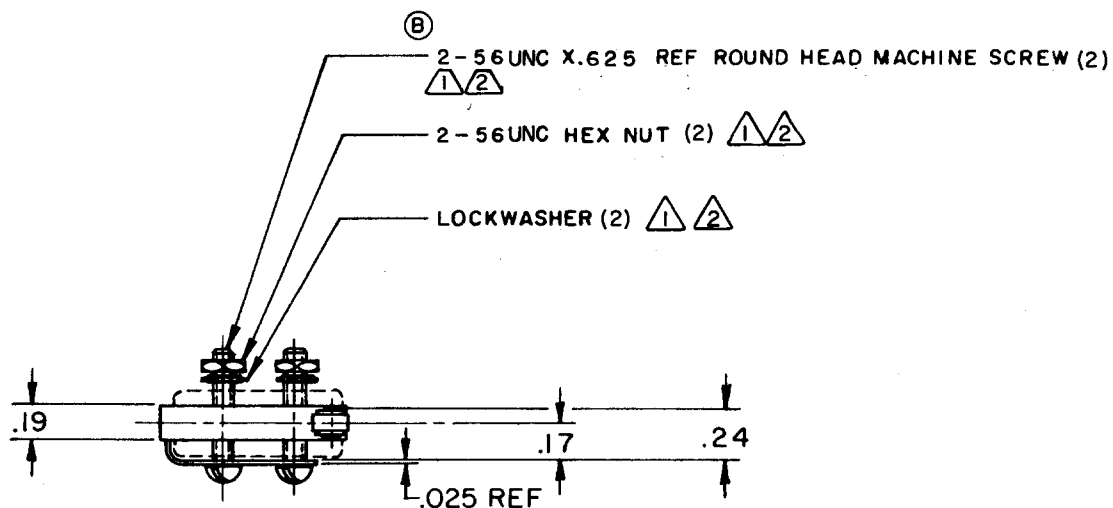
16 APR 63

16 APR 63

16 APR 63

16 APR 63

16 APR 63



### NOTE-

- $\triangle 1$  - FURNISHED UNASSEMBLED
- $\triangle 2$  - CORROSION RESISTANT STEEL

THIS DRAWING COVERS A PROPRIETARY ITEM AND IS THE PROPERTY OF MICRO SWITCH, A DIVISION OF MINNEAPOLIS-HONEYWELL REGULATOR CO. THIS DRAWING IS NOT TO BE COPIED OR USED WITHOUT THE APPROVAL OF MICRO SWITCH.

### CHARACTERISTICS (WITH ISEI BASIC SWITCH INSTALLED)

OPERATING FORCE-----	12 OZ MAX
RELEASE FORCE-----	2 OZ MIN
DIFFERENTIAL TRAVEL-----	.025 MAX
OVERTRAVEL-----	.015 MIN

### ELECTRICAL DATA

CONTACT ARRANGEMENT  
S P D T

### SCALE FULL

DO NOT SCALE PRINT

UNLESS OTHERWISE NOTED

DIMENSIONS ARE IN INCHES

### TOLERANCES ARE:

ONE PLACE	(.0)	±.030
TWO PLACE	(.00)	±.015
THREE PLACE	(.000)	±.005
ANGLES		±

WEIGHT

FO-50378

DRAWN

LEB 10 APR 63

CHECK H.S.D 16 APR 63

CHECK E.B 16 APR 63

# Mouser Electronics

Authorized Distributor

Click to View Pricing, Inventory, Delivery & Lifecycle Information:

[Honeywell:](#)

[JE-56](#)